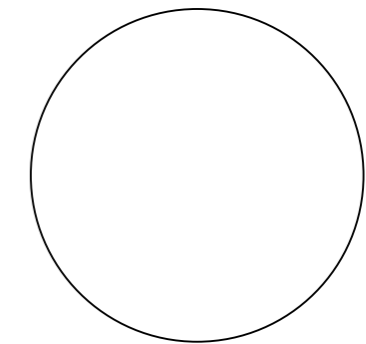
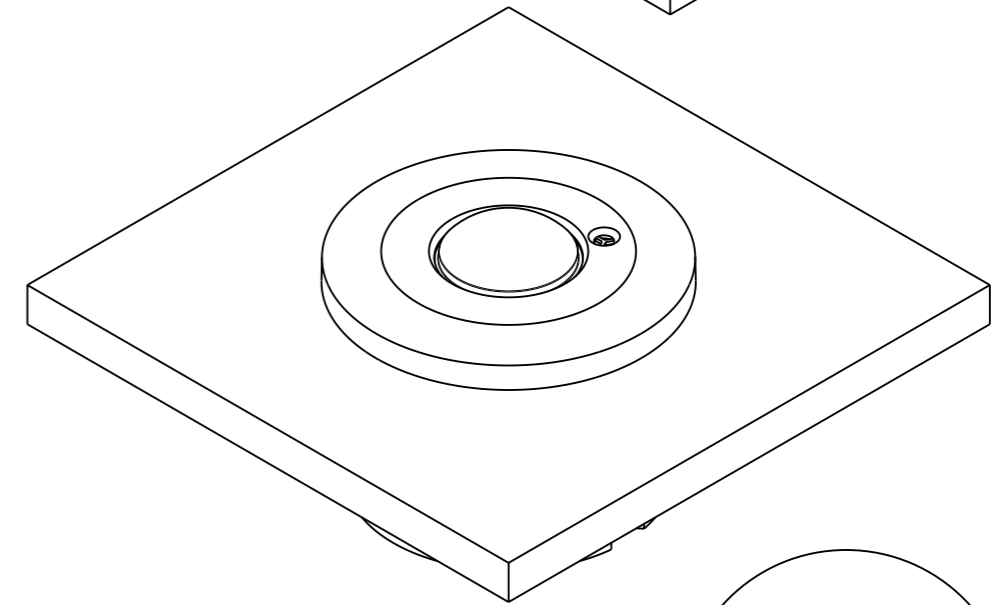
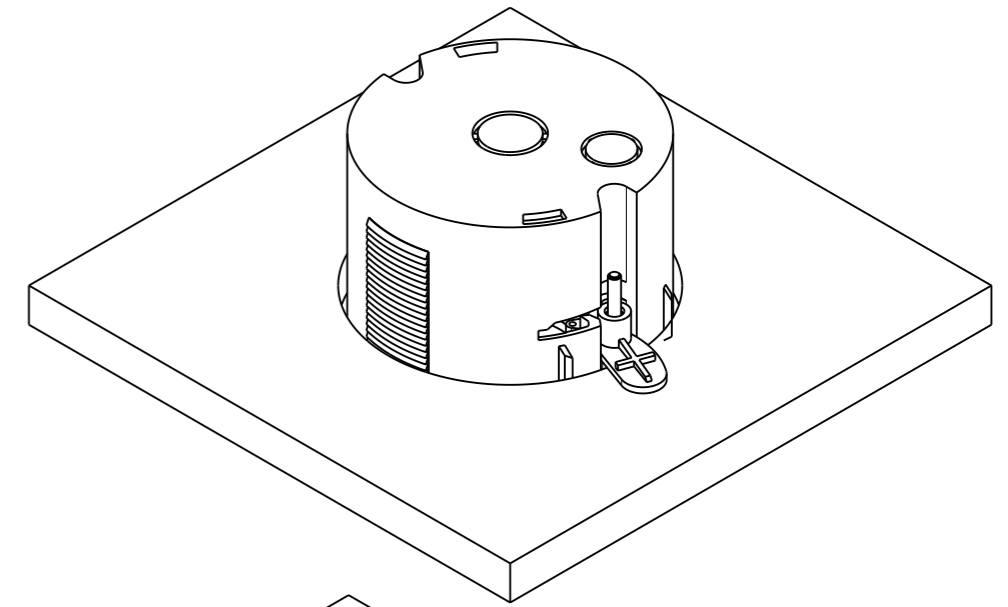
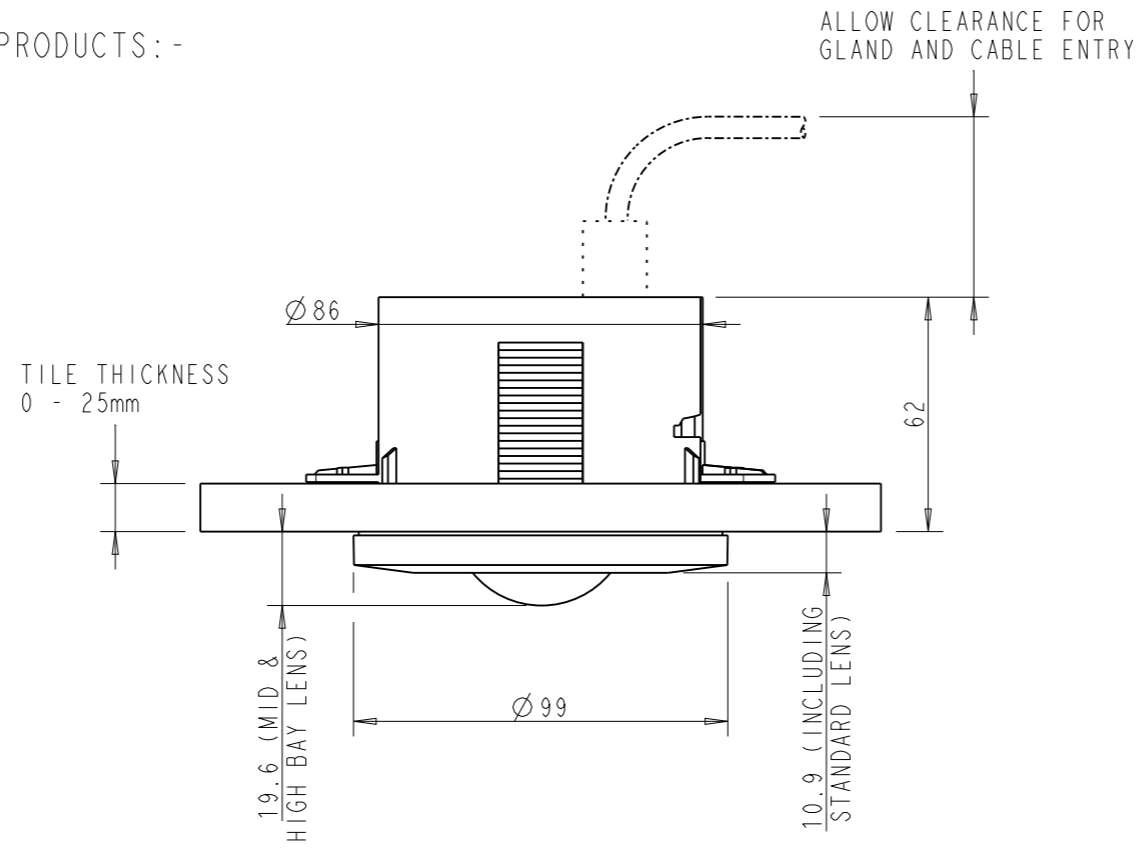


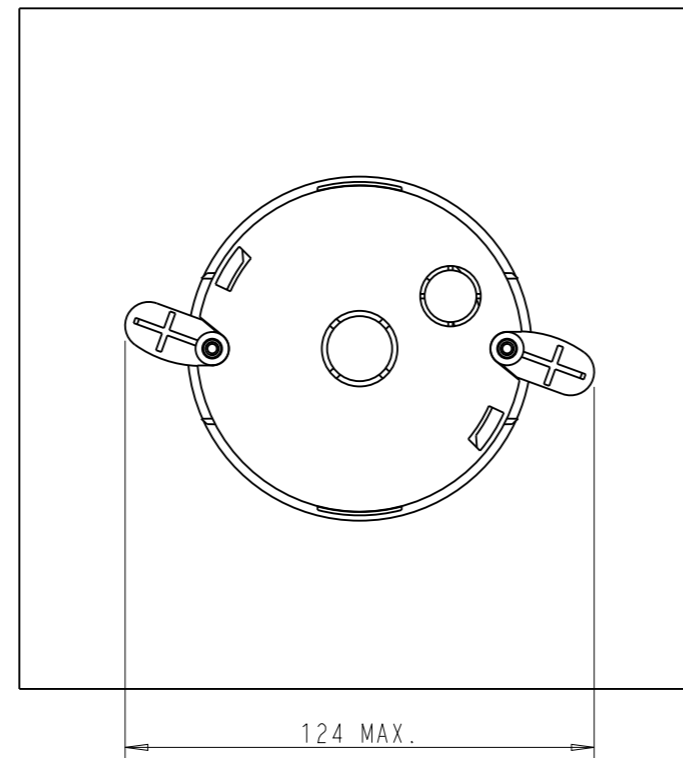
THIS DRAWING REFERS TO THE FOLLOWING PRODUCTS:-

- MLS2001AF
- MLS2021DALIF
- MLS2021DF
- MS1001F
- MS1201PF
- MS1221PF
- MS2001AF
- MS2021PF

& ALL 'HB' (HIGH BAY) AND 'MB' (MID BAY) VARIANTS OF THE ABOVE



HOLE DIAMETER $88.0 \pm \begin{matrix} 3.0 \\ 0 \end{matrix}$



MATERIALS:-

ALL MAIN HOUSING PARTS - UL94 V-2, 960° GLOW-WIRE RATED POLYCARBONATE, COLOUR - WHITE, RAL9010
LENS - NATURAL HDPE

MODIFICATION TEXT:



NOVAR ED&S
ARLINGTON BUSINESS PARK
BRACKNELL
BERKS RG12 1EB

HONEYWELL CONFIDENTIAL AND PROPRIETARY

PROTECTED BY
DIN ISO 16016

FIRST ANGLE PROJECTION

UNITS
mm

GENERAL TOLERANCES:

LINEAR ± 0.15
HOLE DIA ± 0.08
RADII ± 0.05
ANGULAR ± 0.50

DRAWN BY: Harrison, John Robert

DIMENSIONS AND TOLERANCES PER
BRITISH STANDARDS AND
ECC ENGINEERING STANDARDS

MATERIAL
AS SHOWN

FINISH

PACKAGING SPEC. No:

PERMIT No:

IMPRESSIONS:

LIFECYCLE STATE: In Work

DRAWN BY DATE: 24-Mar-2015

Honeywell

ENVIRONMENTAL & COMBUSTION CONTROLS

TITLE

OUTLINE DRAWING

SUB TITLE

FLUSH WIDE-BODY PIR SENSORS

DRAWING No.

32308246

ECO No.

ECO DATE

REV

01

PROJ NO. 714147

PAPER SIZE A3

SCALE 1:2

SHEET 1 OF 1

THIS PRODUCT MUST BE PRODUCED USING ROHS COMPLIANT MATERIALS AND PROCESSES PER HONEYWELL SPECIFICATION ES50040083

PRO/E