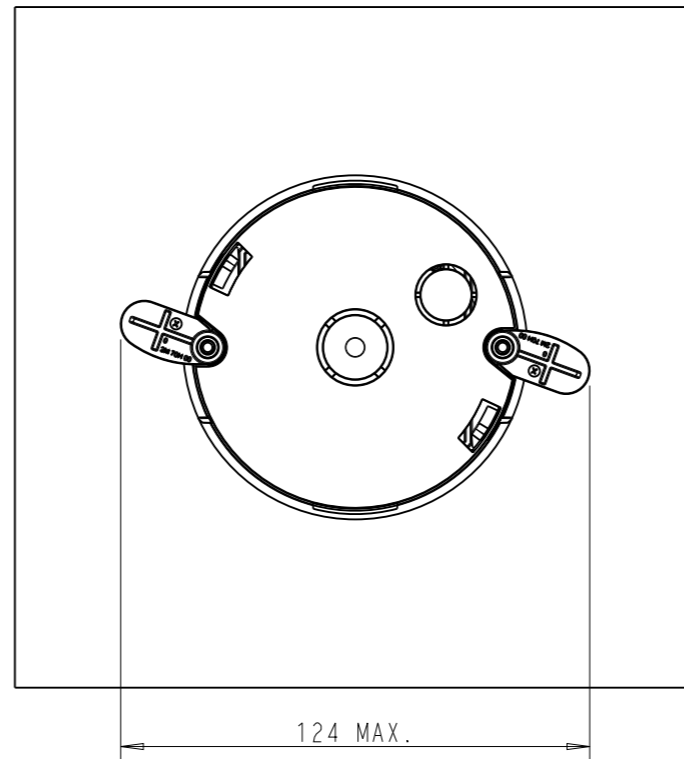
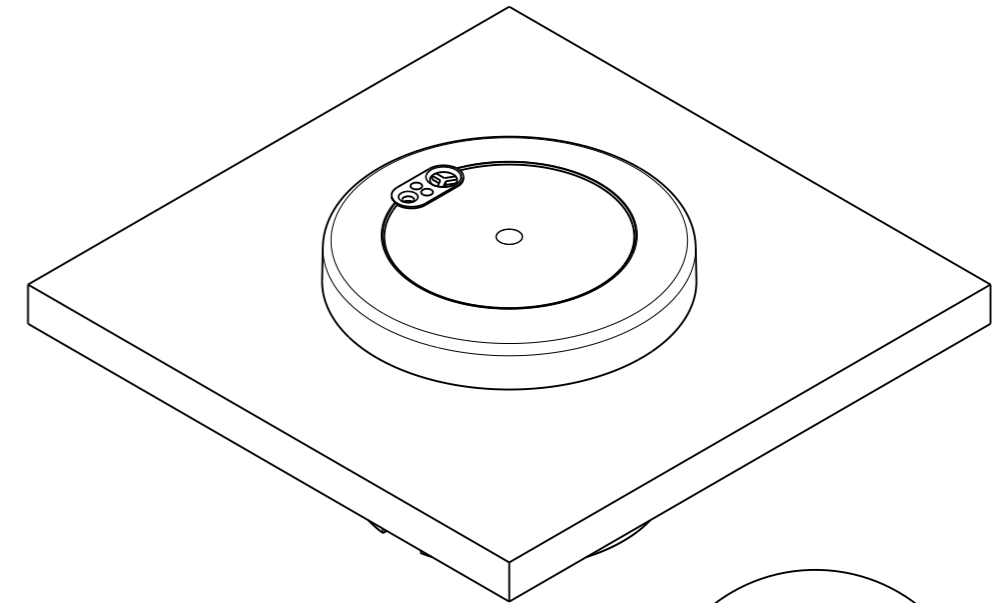
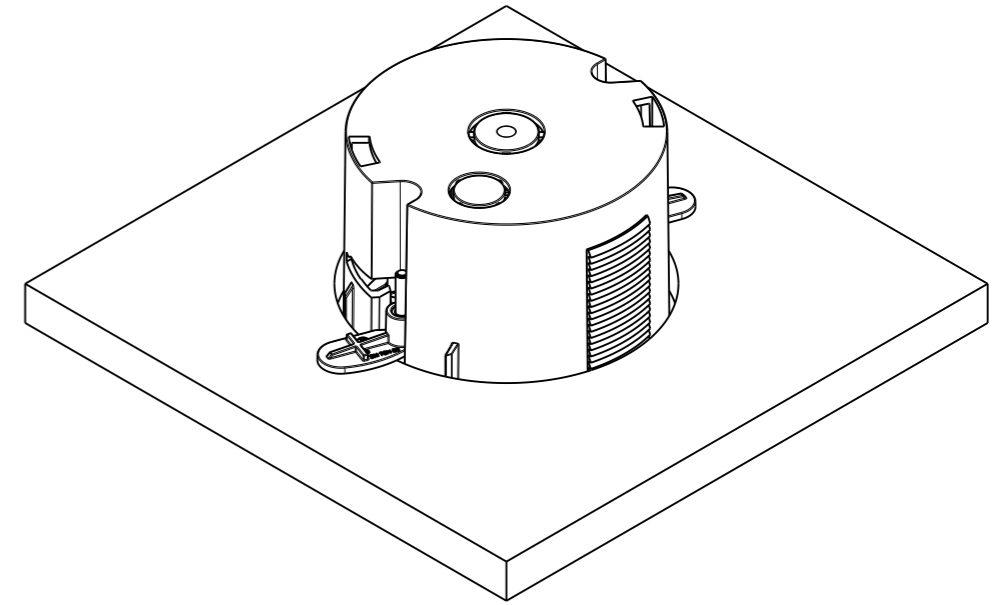
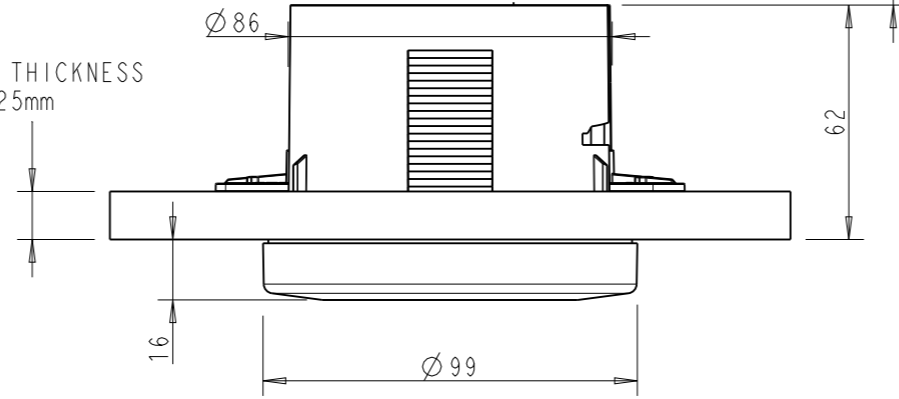


THIS DRAWING REFERS TO THE FOLLOWING PRODUCTS:-

- MLS2401CDR
- MLS2421AF
- MLS2421DALIF
- MLS2421DF
- MS2421AF
- MS2421PF
- MS2421DALIF
- MS2421DF

ALLOW CLEARANCE FOR
GLAND AND CABLE ENTRY

TILE THICKNESS
0 - 25mm



HOLE DIAMETER $88.0 \pm \begin{matrix} 3.0 \\ 0 \end{matrix}$

MATERIALS:-

ALL MAIN HOUSING PARTS - UL94 V-2, 960° GLOW-WIRE
RATED POLYCARBONATE, COLOUR - WHITE, RAL9010

THIS PRODUCT MUST BE PRODUCED USING ROHS COMPLIANT MATERIALS
AND PROCESSES PER HONEYWELL SPECIFICATION ES50040083

MODIFICATION TEXT:

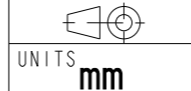


NOVAR ED&S
ARLINGTON BUSINESS PARK
BRACKNELL
BERKS RG12 1EB

HONEYWELL CONFIDENTIAL AND PROPRIETARY

PROTECTED BY
DIN ISO 16016

FIRST ANGLE PROJECTION



UNITS
mm

GENERAL TOLERANCES:

LINEAR ± 0.15
HOLE DIA ± 0.08
RADII ± 0.05
ANGULAR ± 0.50

DRAWN BY: Harrison, John Robert

DIMENSIONS AND TOLERANCES PER
BRITISH STANDARDS AND
ECC ENGINEERING STANDARDS

MATERIAL
AS SHOWN

FINISH

PACKAGING SPEC. No:

PERMIT No:

IMPRESSIONS:

LIFECYCLE STATE: In Work

DRAWN BY DATE: 24-Mar-2015

Honeywell

ENVIRONMENTAL & COMBUSTION CONTROLS

TITLE

OUTLINE DRAWING

SUB TITLE

FLUSH WIDE-BODY MICROWAVE SENSORS

DRAWING No.

32308247

ECO No.

ECO DATE

REV

01

PROJ NO. 714147

PAPER SIZE A3

SCALE 1:2

SHEET 1 OF 1

PRO/E