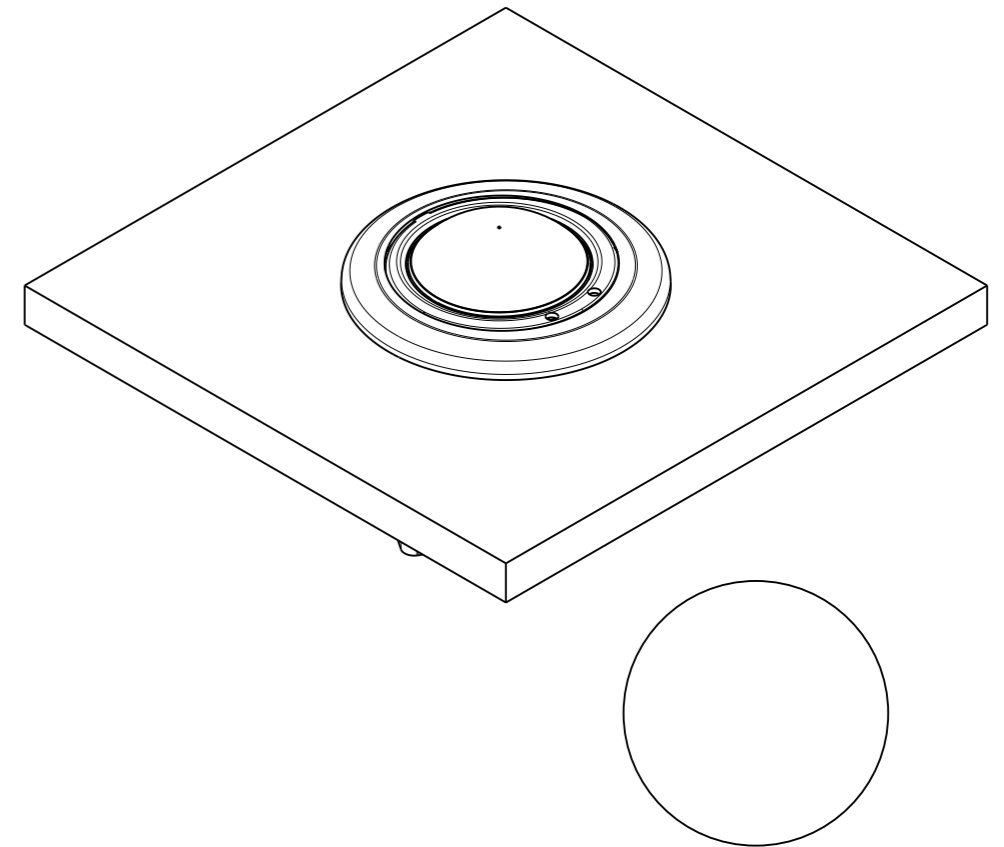
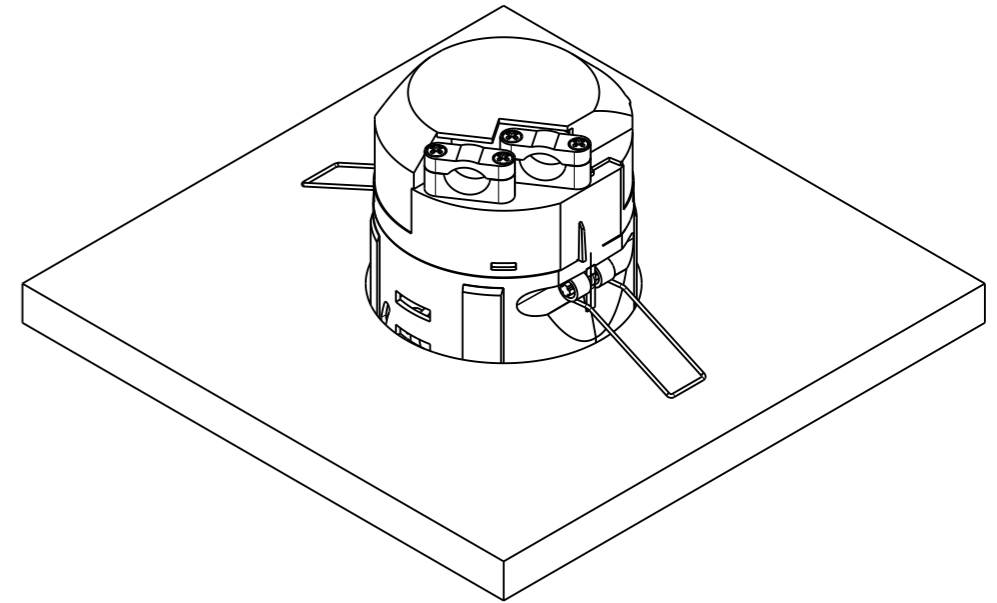
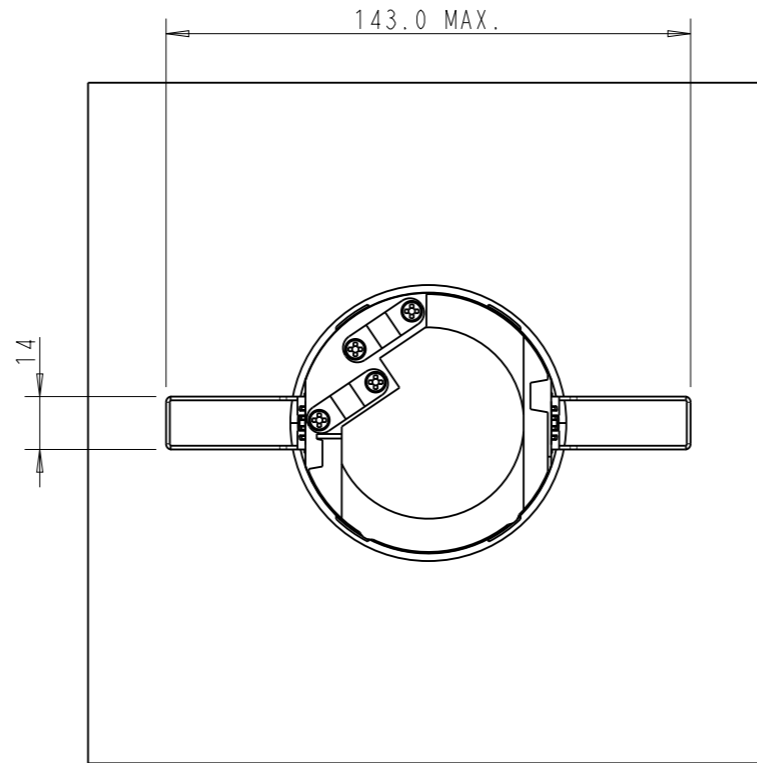
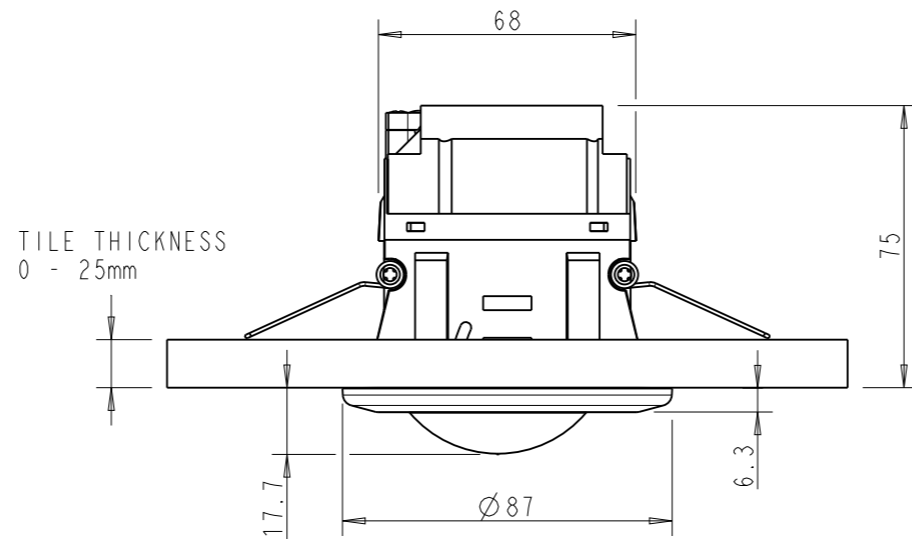
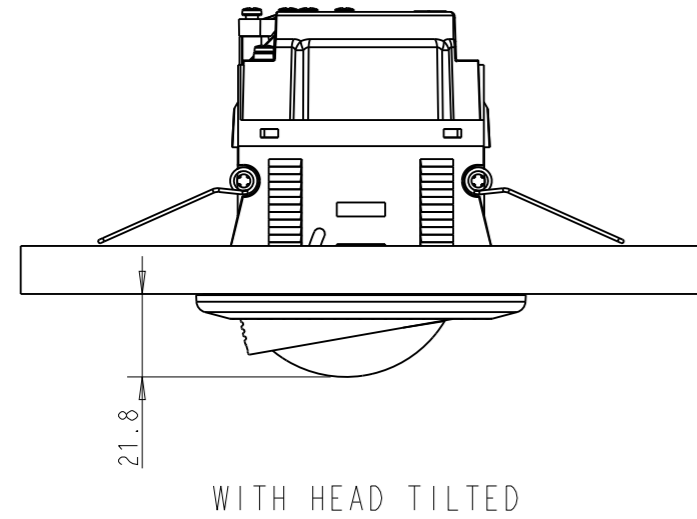


THIS DRAWING REFERS TO THE FOLLOWING PRODUCTS:-

- LS3043 - ALL 'F' (FLUSH-MOUNT) VARIANTS
- LS3243 - ALL 'F' (FLUSH-MOUNT) VARIANTS
- LS3283 - ALL 'F' (FLUSH-MOUNT) VARIANTS



HOLE DIAMETER - $72.0^{+3.0}_0$

MATERIALS:-

- ALL MAIN HOUSING PARTS - UL94 V-2, 960° GLOW-WIRE RATED POLYCARBONATE
- BEZEL COLOUR - WHITE, RAL9010
- SHROUD - CLEAR
- REAR HOUSING PARTS - GREY, RAL7016
- LENS - NATURAL HDPE
- SPRINGS - HS3 SPRING STEEL

THIS PRODUCT MUST BE PRODUCED USING ROHS COMPLIANT MATERIALS AND PROCESSES PER HONEYWELL SPECIFICATION ES50040083

MODIFICATION TEXT:



NOVAR ED&S
ARLINGTON BUSINESS PARK
BRACKNELL
BERKS RG12 1EB

HONEYWELL CONFIDENTIAL AND PROPRIETARY

PROTECTED BY
DIN ISO 16016

FIRST ANGLE PROJECTION

UNITS
mm

GENERAL TOLERANCES:

LINEAR ± 0.15
HOLE DIA ± 0.08
RADII ± 0.05
ANGULAR ± 0.50

DRAWN BY: Harrison, John Robert

DIMENSIONS AND TOLERANCES PER
BRITISH STANDARDS AND
ECC ENGINEERING STANDARDS

MATERIAL
AS SHOWN

FINISH

PACKAGING SPEC. No:

PERMIT No:

IMPRESSIONS:

LIFECYCLE STATE: In Work

DRAWN BY DATE: 24-Mar-2015

Honeywell

ENVIRONMENTAL & COMBUSTION CONTROLS

TITLE

OUTLINE DRAWING

SUB TITLE

FLUSH TILT-HEAD SENSORS

DRAWING No.

32308250

ECO No.

REV

ECO DATE

01

PROJ NO. 714147

PAPER SIZE A3

SCALE 1:2

SHEET 1 OF 1

PRO/E