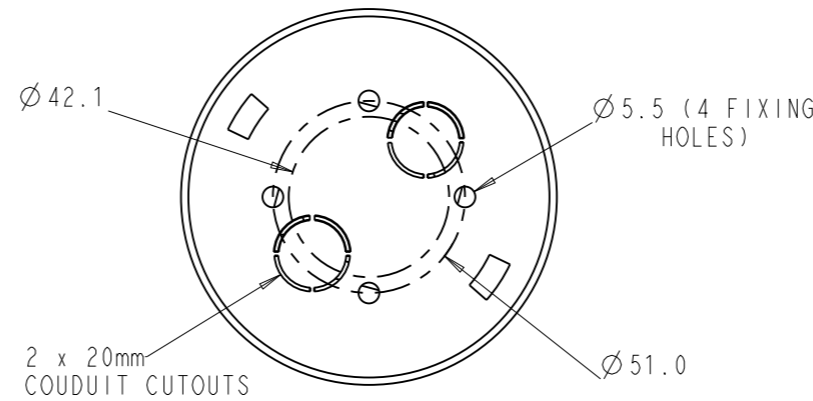
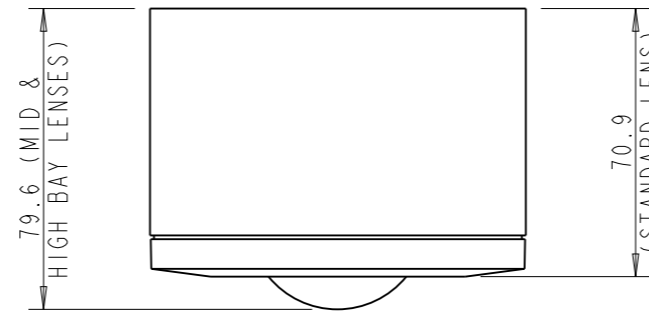
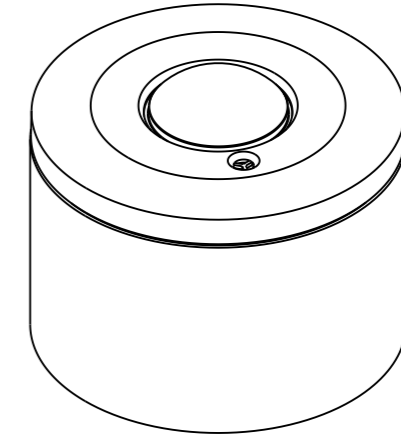
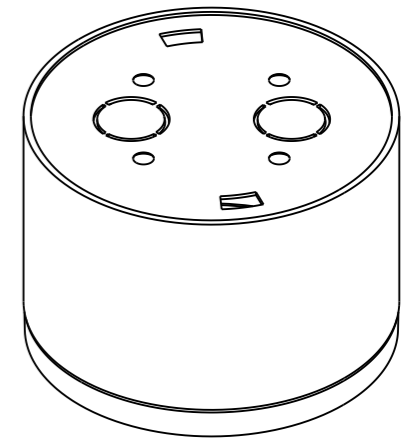
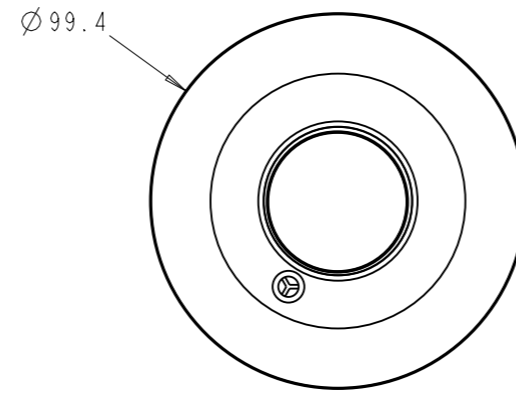


THIS DRAWING REFERS TO THE FOLLOWING PRODUCTS:-

- MLS2001ASM
- MLS2001CDRSM
- MLS2001DALISM
- MLS2001DSM
- MLS2001PSM
- MLS2021DALISM
- MLS2021DSM
- MLS2021PSM
- MS1001SM
- MS1101PSM
- MS1201PSM
- MS1221PSM
- MS2001ASM
- MS2001DALISM
- MS2001DSM
- MS2021PSM

& ALL 'HB' (HIGH BAY) AND 'MB' (MID BAY) VARIANTS OF THE ABOVE



MATERIALS:-

ALL MAIN HOUSING PARTS - UL94 V-2, 960° GLOW-WIRE RATED POLYCARBONATE, COLOUR - WHITE, RAL9010
LENS - NATURAL HDPE

MODIFICATION TEXT:



NOVAR ED&S
ARLINGTON BUSINESS PARK
BRACKNELL
BERKS RG12 1EB

DIMENSIONS AND TOLERANCES PER
BRITISH STANDARDS AND
ECC ENGINEERING STANDARDS

HONEYWELL CONFIDENTIAL AND PROPRIETARY

MATERIAL AS SHOWN

Honeywell

ENVIRONMENTAL & COMBUSTION CONTROLS

PROTECTED BY
DIN ISO 16016

GENERAL TOLERANCES:

FINISH

TITLE
OUTLINE DRAWING

FIRST ANGLE PROJECTION

LINEAR ±0.15
HOLE DIA ±0.08
RADII ±0.05
ANGULAR ±0.50

PACKAGING SPEC. No:
PERMIT No:
IMPRESSIONS:
LIFECYCLE STATE: In Work

SUB TITLE
SURFACE -MOUNT WIDE-BODY PIR SENSORS

UNITS
mm

DRAWING No.

32308302

ECO No.

ECO DATE

REV

01

THIS PRODUCT MUST BE PRODUCED USING ROHS COMPLIANT MATERIALS AND PROCESSES PER HONEYWELL SPECIFICATION ES50040083

DRAWN BY: Harrison, John Robert

DRAWN BY DATE: 27-Mar-2015

PROJ NO. 714147

PAPER SIZE A3

SCALE 1:2

SHEET 1 OF 1