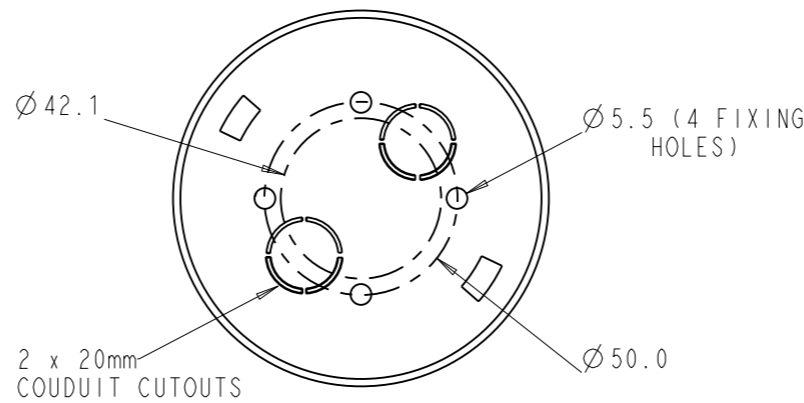
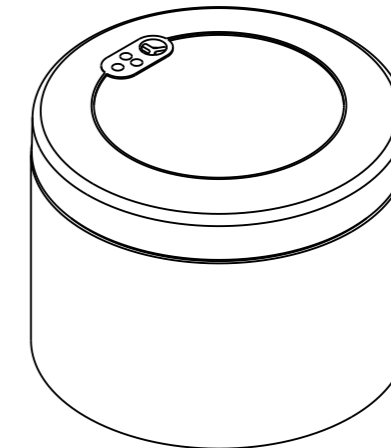
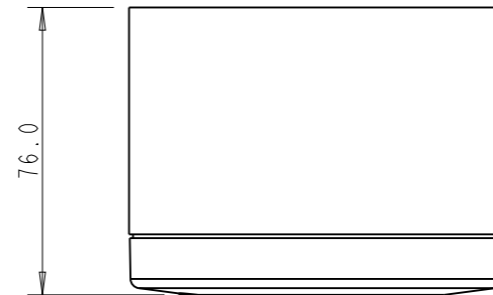
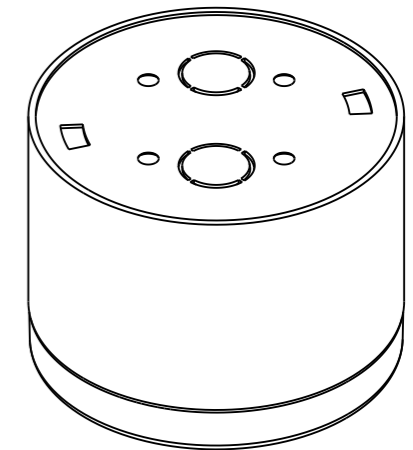
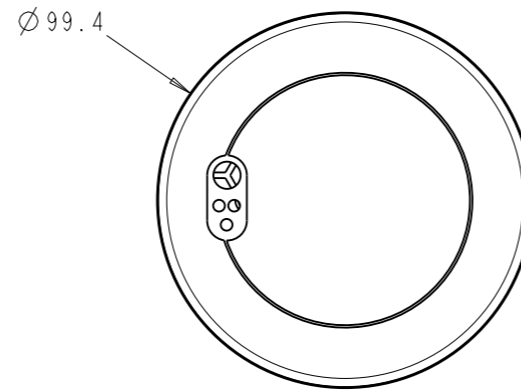


THIS DRAWING REFERS TO THE FOLLOWING PRODUCTS:-

- MLS2401CDRSM
- MLS2421ASM
- MLS2421DALISM
- MLS2421DSM
- MS2421ASM
- MS2421PSM



MATERIALS:-

ALL MAIN HOUSING PARTS - UL94 V-2, 960° GLOW-WIRE RATED POLYCARBONATE, COLOUR - WHITE, RAL9010

MODIFICATION TEXT:



NOVAR ED&S
ARLINGTON BUSINESS PARK
BRACKNELL
BERKS RG12 1EB

DIMENSIONS AND TOLERANCES PER
BRITISH STANDARDS AND
ECC ENGINEERING STANDARDS

HONEYWELL CONFIDENTIAL AND PROPRIETARY

MATERIAL AS SHOWN

Honeywell

ENVIRONMENTAL & COMBUSTION CONTROLS

PROTECTED BY
DIN ISO 16016

GENERAL TOLERANCES:

FINISH

TITLE
OUTLINE DRAWING

FIRST ANGLE PROJECTION

LINEAR ±0.15
HOLE DIA ±0.08
RADII ±0.05
ANGULAR ±0.50

PACKAGING SPEC. No:

SUB TITLE
SURFACE-MOUNT WIDE-BODY MICROWAVE SENSORS

UNITS
mm

PERMIT No:

IMPRESSIONS:

LIFECYCLE STATE: In Work

DRAWING No.

32308303

ECO No.

ECO DATE

REV

01

THIS PRODUCT MUST BE PRODUCED USING ROHS COMPLIANT MATERIALS AND PROCESSES PER HONEYWELL SPECIFICATION ES50040083

DRAWN BY: Harrison, John Robert

DRAWN BY DATE: 27-Mar-2015

PROJ NO. 714147

PAPER SIZE A3

SCALE 1:2

SHEET 1 OF 1

PRO/E