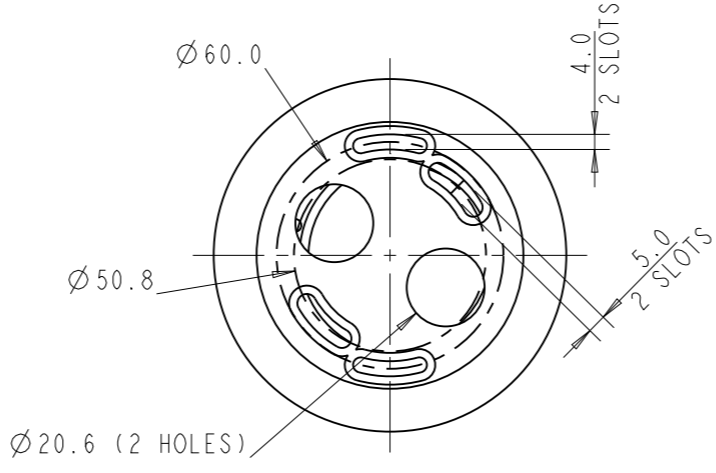
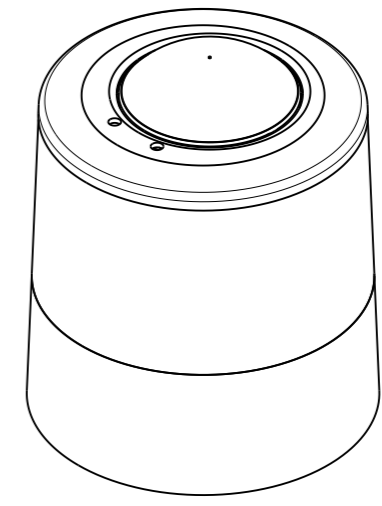
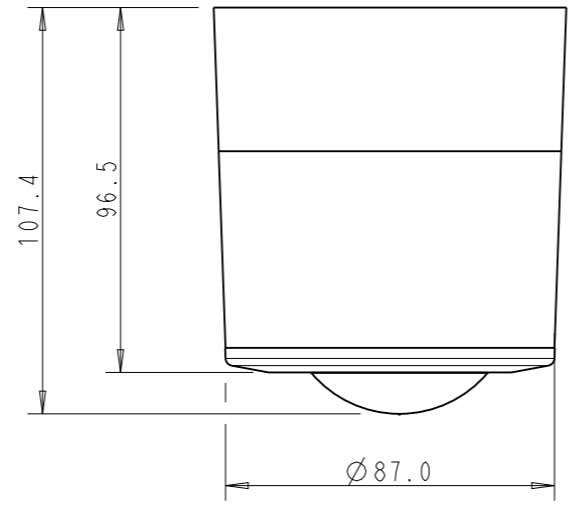
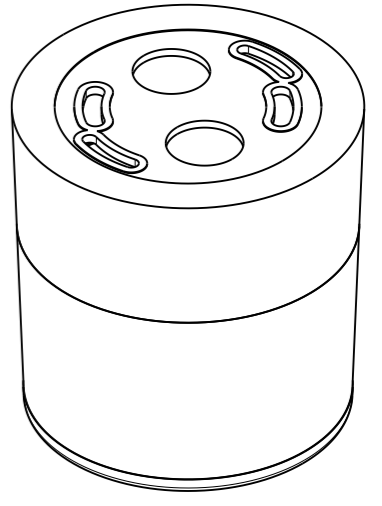
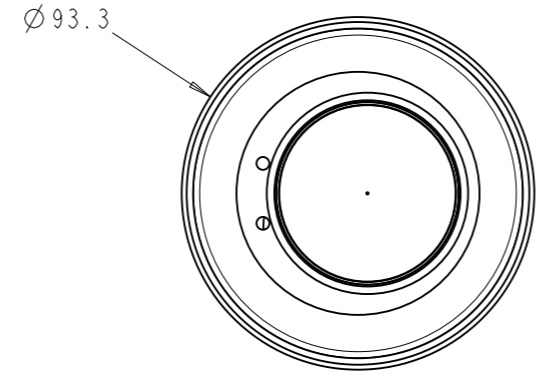


A B C D E F G H

THIS DRAWING REFERS TO THE FOLLOWING PRODUCTS:-

- LS3000 - ALL 'SM' (SURFACE-MOUNT) VARIANTS
- LS3100 - ALL 'SM' (SURFACE-MOUNT) VARIANTS
- LS3200 - ALL 'SM' (SURFACE-MOUNT) VARIANTS
- LS3260 - ALL 'SM' (SURFACE-MOUNT) VARIANTS
- LS3270 - ALL 'SM' (SURFACE-MOUNT) VARIANTS
- LS3340 - ALL 'SM' (SURFACE-MOUNT) VARIANTS
- LS3360 - ALL 'SM' (SURFACE-MOUNT) VARIANTS



MATERIALS:-
 ALL MAIN HOUSING PARTS - UL94 V-2, 960° GLOW-WIRE RATED POLYCARBONATE
 COLOUR - WHITE, RAL9010
 LENS - NATURAL HDPE

THIS PRODUCT MUST BE PRODUCED USING ROHS COMPLIANT MATERIALS AND PROCESSES PER HONEYWELL SPECIFICATION ES50040083

| | | | | | | | |
|---|--|---|--|---|--|---|--|
| MODIFICATION TEXT: | | NOVAR ED&S ARLINGTON BUSINESS PARK BRACKNELL BERKS RG12 1EB | | DIMENSIONS AND TOLERANCES PER BRITISH STANDARDS AND ECC ENGINEERING STANDARDS | | Honeywell ENVIRONMENTAL & COMBUSTION CONTROLS | |
| HONEYWELL CONFIDENTIAL AND PROPRIETARY | | MATERIAL AS SHOWN | | TITLE | | OUTLINE DRAWING | |
| PROTECTED BY DIN ISO 16016 FIRST ANGLE PROJECTION | | GENERAL TOLERANCES: LINEAR ±0.15 HOLE DIA ±0.08 RADII ±0.05 ANGULAR ±0.50 | | FINISH | | SUB TITLE | |
| UNITS mm | | DRAWING No. | | DRAWING No. | | SURFACE-MOUNT FIXED-HEAD SENSORS | |
| DRAWN BY: Harrison, John Robert | | PACKAGING SPEC. No: | | DRAWING No. | | ECO No. | |
| DRAWN BY DATE: 30-Mar-2015 | | PERMIT No: | | 32308305 | | REV | |
| | | IMPRESSIONS: | | | | ECO DATE | |
| | | LIFECYCLE STATE: In Work | | | | 01 | |
| | | DRAWN BY DATE: 30-Mar-2015 | | PROJ NO. 714147 | | PAPER SIZE A3 | |
| | | | | | | SCALE 1:2 | |
| | | | | | | SHEET 1 OF 1 | |

A B C PRO/E