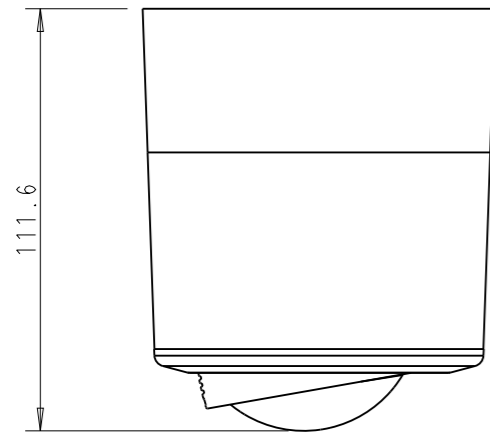
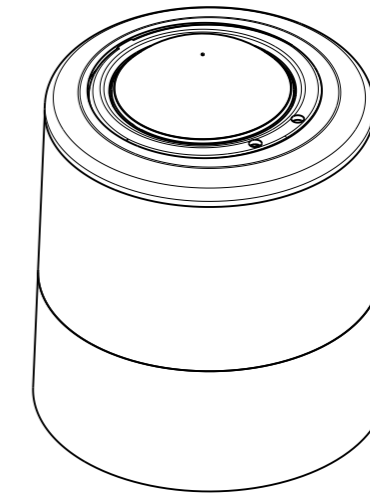
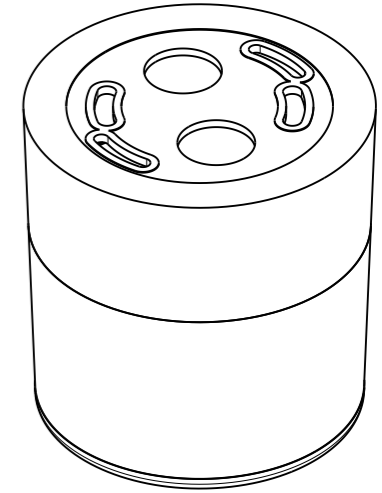
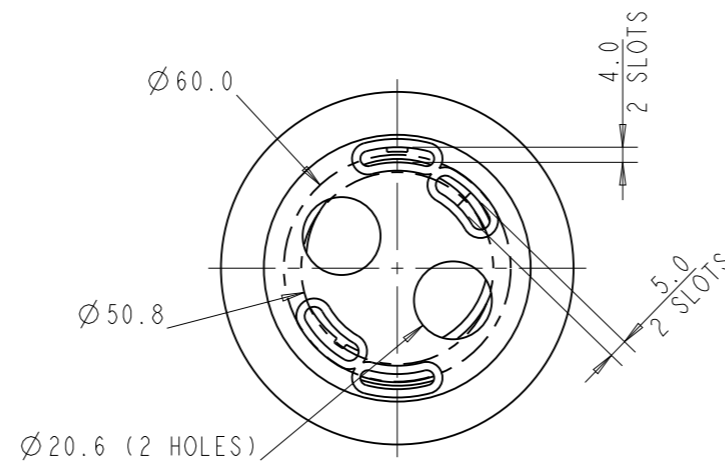
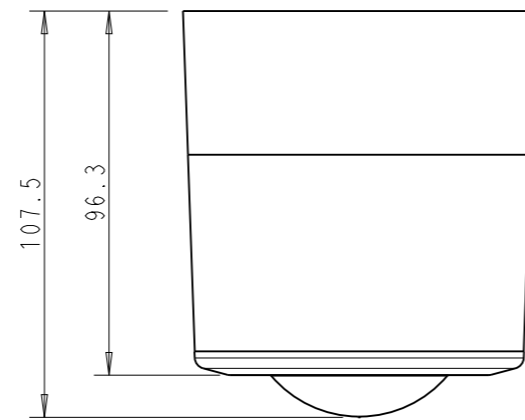
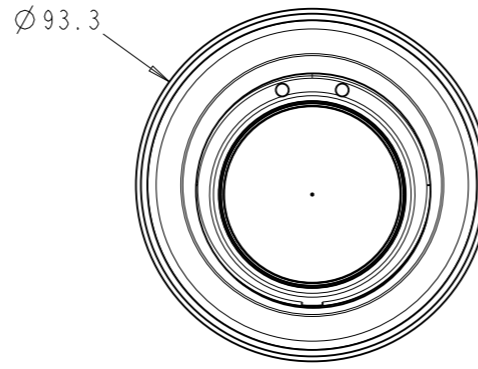


THIS DRAWING REFERS TO THE FOLLOWING PRODUCTS:-

- LS3043 - ALL 'SM' (SURFACE-MOUNT) VARIANTS
- LS3243 - ALL 'SM' (SURFACE-MOUNT) VARIANTS
- LS3283 - ALL 'SM' (SURFACE-MOUNT) VARIANTS



WITH HEAD TILTED



MATERIALS:-

- ALL MAIN HOUSING PARTS - UL94 V-2, 960° GLOW-WIRE RATED POLYCARBONATE
- COLOUR - WHITE, RAL9010
- SHROUD - CLEAR
- LENS - NATURAL HDPE

THIS PRODUCT MUST BE PRODUCED USING ROHS COMPLIANT MATERIALS AND PROCESSES PER HONEYWELL SPECIFICATION ES50040083

MODIFICATION TEXT: NOVAR ED&S ARLINGTON BUSINESS PARK BRACKNELL BERKS RG12 1EB HONEYWELL CONFIDENTIAL AND PROPRIETARY PROTECTED BY DIN ISO 16016 FIRST ANGLE PROJECTION UNITS mm DRAWN BY:	Ex-Or Making light work	DIMENSIONS AND TOLERANCES PER BRITISH STANDARDS AND ECC ENGINEERING STANDARDS	Honeywell ENVIRONMENTAL & COMBUSTION CONTROLS		
	GENERAL TOLERANCES: LINEAR ±0.15 HOLE DIA ±0.08 RADII ±0.05 ANGULAR ±0.50	MATERIAL	TITLE		
	FINISH	SUB TITLE SURFACE-MOUNT TILT-HEAD SENSORS			
	PACKAGING SPEC. No: PERMIT No: IMPRESSIONS: LIFECYCLE STATE:	DRAWING No.	ECO No.	REV	
	DRAWN BY:	DRAWN BY DATE:	PROJ NO.	PAPER SIZE A3	SCALE 1:2