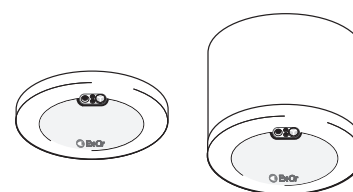


MLS2421DALIxx Detectors



MLS2421DALIxx Detectors are part of a comprehensive range of presence detection systems designed to control modular luminaires with DSI, DALI, high frequency ballasts and other lighting loads.

They offer superior-performance, programmable presence detection for lighting control in areas where eliminating ligature risks is required. Microwave technology is used which enables the range to be adjusted to ensure a tailored detection pattern to suit any application. They are available for flush mounting with single or dual-circuit option. Anti ligature variants are the safe choice for most secure environments. They can operate as a stand-alone device or as part of a networked MLS Digital system. Non-networkable versions are available c/w with 3m cable and 7-way plug for use with Connect UltraLite Connection Centres.

Features & Benefits

- Active presence detection by microwave technology.
- Passive photocell holds lights off in bright ambient conditions. Active photocell has the capability to switch lights off in occupied areas.
- Regulating photocell actively monitors ambient light levels and adjusts the light output accordingly (dimmable control gear only).
- Incorporates simple scene-setting - up to six scenes can be set via user remote.
- Off delay - period following the last observed movement after which the lights switch off.
- Detection pattern and range in metres under normal operating conditions.
- Dual circuit control. Digital output always influenced by photocell, relay output can be influenced by photocell if configured.
- Hand-held Controller provides local user override.
- Remote programming ensures changes can be easily accommodated.
- OneSwitch Dimming. Manual input to adjust light level or turn luminaires on or off.

Scene-setting

Users can set up to six lighting scenes by infrared remote control and recall them with the single press of a button.

Entry and Exit Scenes

The entry scene is automatically selected when the area becomes occupied. Similarly, there is an option to select an Exit Scene for when an area is vacated.

Ballast Compatibility

This detector is available for fixed-output high-frequency ballasts and dimmable DSI and DALI ballasts.

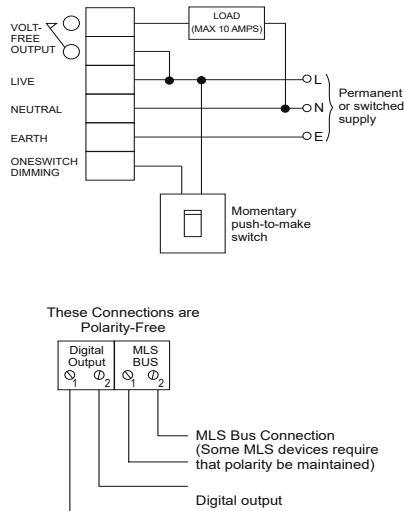
Dual Output

Manual control of digital and relay outputs with OneSwitch dimming or hand-held controller.

Technical Data

MLS CABLE	1.5mm ² unscreened twisted-pair (applicable when detector is used as part of a full MLS Digital Managed Lighting System): see Application Note AN4001.
Operating Voltage	230V 50/60Hz
Product Rating And Recommended Circuit Protection	10 Amps
Maximum Recommended Load (Volt-Free)	10 Amps
Maximum Recommended Load (Dsi/Dali)	25 Ballasts
Maximum Recommended Mounting Height	3.0m
Range	Approx 7m dia at 2.4m ceiling height
Off Delay	1 min - 96 hours plus 10-second walk-test mode
Photocell	Passive/Active/Regulating adjustable 50-5000 lux
Material	Flame retardant PC/ABS
Colour	White
Weight	MLS2421DALIF - 243g MLS2421DSM/DALISM - 251g

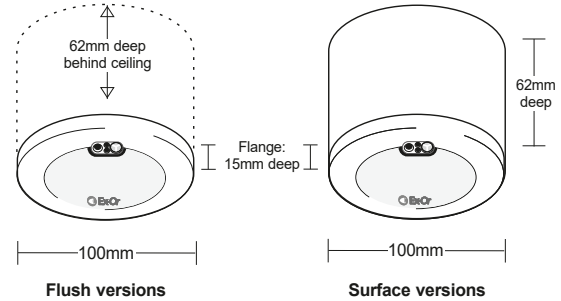
Connections



External operation

To enable the sensor to operate in environments which are subject to water spray the MLS2421 sensors can be mounted in a suitable IP rated enclosure. This does not impact the performance of the sensor and enables the sensor to be installed in sanitising stations as well as transport facilities where water ingress may be an issue.

Dimensions



Always check the product label before connecting.

Relay outputs may be connected together in parallel to cover larger areas. The total load on all combined relay outputs must not, however, exceed 10 Amps.

Digital outputs MUST NOT be connected in parallel.

The diagram above shows a 'fully-utilised' unit. In its simplest form, controlling a non-dimmable load, just the mains supply and volt-free connections would be required. Please see installation instructions W4178 for further connection diagrams.

Note: Do not position this product on a pitch narrower than 5m. Do not mount within 0.25m of a luminaire.

Commissioning

The operation of the detectors is determined by how the unit is commissioned. Commissioning and re-commissioning is carried out using a menu-driven, infrared remote programmer (QuickSet Pro) with virtually no disturbance to the building's occupants.

Installation

Flush Versions

Depth required behind ceiling: 62mm from front flange.

Sinking box fits into 89mm diameter hole in ceiling tile or plasterboard ceiling. No access above the ceiling is necessary. The detector fits into the sinking box with a simple bayonet action thus concealing the fixing screws.

Surface Versions

The housing may be secured to a hard surface or a BESA box. The detector fits into the surface box with a simple bayonet action thus concealing the fixing screws.

Please note that these detectors are not recommended for applications where there are large surface areas of metal, e.g. metal ceiling or floor tiles, as unpredictable sensitivity may result.

© 2021 Honeywell International Inc.

Ex-Or reserves the right to revise this publication from time to time and make changes to the content hereof without obligation to notify any person of such revisions or changes.

Ex-Or by Honeywell

St. Mark's Court, North Street, Horsham, West Sussex, RH12 1BW, UK. Tel: +44 (0)1942 719229, www.ex-or.com

Order Codes

MLS2421DALIF	Gold Series Detector with photocell for DALI ballasts - flush
MLS2421DALISM	Gold Series Detector with photocell for DALI ballasts - surface mounted

Commissioning & End User Tools

QUICKSET PRO	QuickSet Pro Digital 2-Way Programmer
HC5A	Universal Hand-held Controller c/w wall bracket