



Save up to 70% on your lighting energy usage

# LightSpot HD Dimming PIR Sensors

A range of high performance PIR sensors for dependable control of analogue and digital dimming lighting loads.

High definition lenses, performance optics and software are all optimised to provide class leading sensitivity and occupancy detection ensuring that the lights are always on when required.

QuickAnalytics enables greater energy saving and enhances user comfort through the precise monitoring and analysis of sensor activity data.

## Features and benefits

- High sensitivity occupancy detection
- Integrated daylight dimming
- Automatic selection of DALI / DSI
- Quick, easy commissioning with wireless programming tools
- Mid-Bay & Hi-Bay variants - for greater mounting heights (up to 16m)
- Absence & Presence mode operation
- QuickAnalytics (via QuickSet Pro) helps maximise and verify your energy savings
- Simple installation with pluggable, colour-coded connectors and automatic absence mode operation when a switch input is detected
- Flush and surface mount options
- UltraLite LCM installation option via a range of pre-wired leads/ connectors – sold separately



## Applications

- Commercial Offices
- Education
- Healthcare
- Hospitality
- Industrial

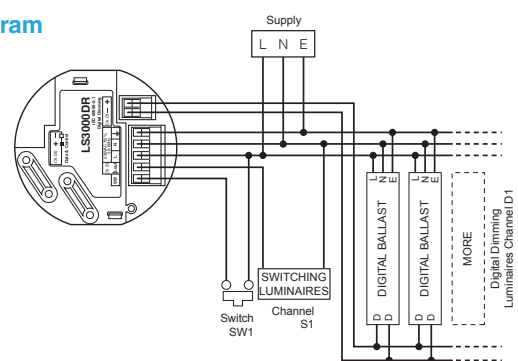
## Technical Data

Technology	PIR
Coverage	360° (Range detailed overleaf)
Operating Voltage	230V +/- 15% 50/60 Hz Recommended Circuit Protection 16A MCB
Power Consumption	Load On 500mW (LS3000AR & DR) 150mW (LS3000D) Load Off 150mW (All)
Load Rating	Switching – 10A (Max Inrush Current 200A) Dimming – 15 Ballasts
Operating Temperature	0° C to 40° C
Storage Temperature	-20° C to 80° C
Humidity	20% to 80% non-condensing
Fascia Colour	White (RAL9010)
Weight	Flush 121g Surface 215g
Material	Flame retardant PC/ABS
IP Rating	IP4x (IP55 LS3000DHBIPF & LS3000DMBIPF)
Conformity	EMC-2014/30/EU LVD-2014/35/EC RoHS-2011/65/EU

## Products

	Flush Mount (add suffix 'F')	Surface Mount (add suffix 'SM')	Switching	Digital Dimming	Analogue Dimming	Programmable Manual Switch Input	IP55	Office	Mid-Bay	Hi-Bay	Quick Analytics
LS3000AR	•	•	•		•	•		•			•
LS3000D	•	•		•		•		•			•
LS3000DR	•	•	•	•		•		•			•
LS3000ARMB	•	•	•		•	•			•		•
LS3000DMB	•	•	•	•		•					•
LS3000DMBIP	•	N/A		•		•	•		•		•
LS3000DRMB	•	•	•	•		•			•		•
LS3000ARHB	•	•	•		•	•				•	•
LS3000DHB	•	•	•	•		•				•	•
LS3000DHBIP	•	N/A		•		•	•		•		•
LS3000DRHB	•	•	•	•		•				•	•

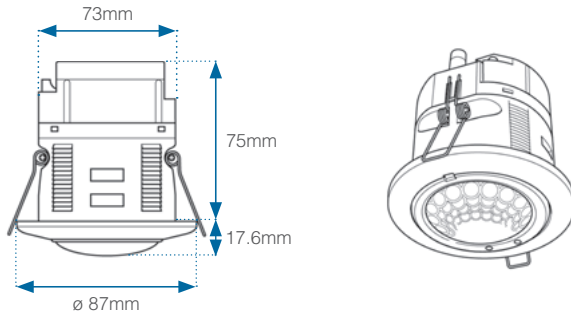
## Connection Diagram



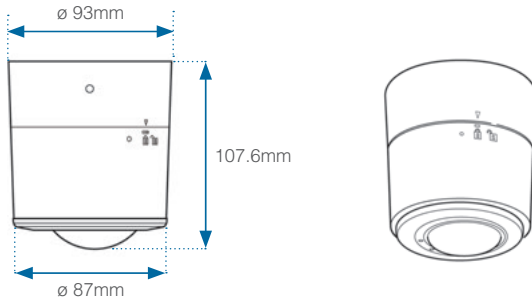
## Key Programmable Parameters

	LS3000R (All variants)	Defaults
Occupancy Timeout	5 Sec – ∞	20 Mins
Photocell Operation	Enabled/Disabled	Enabled
Photocell Turn ON Level	100 – 1000 Lux	350 Lux
Photocell Turn OFF Level	Up to 6 x ON Level, 100 – 1000 Lux	800 Lux
Power-up State	Occupied/Transition/Background/Unoccupied	Transition
Fade to Off	Fast/Medium/Slow/Very slow	Medium
Movement Sensitivity	Low/Med/High/Max	Max
Indicator LEDs	On/Off / Enabled/Disabled	Disabled
Trigger Mode	Presence/Absence/Auto absence	Presence
Setback Sensitivity	20% to 100%	100%

## Flush Mount



## Surface Mount

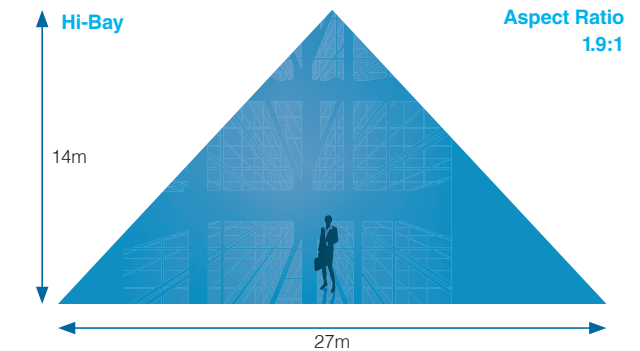
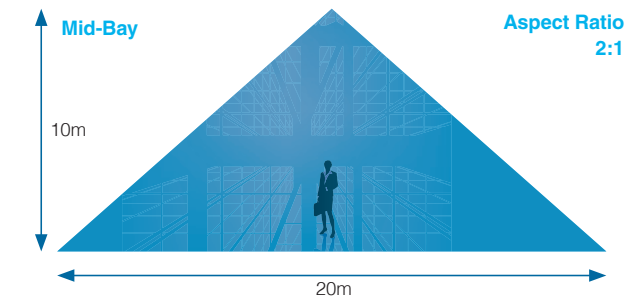
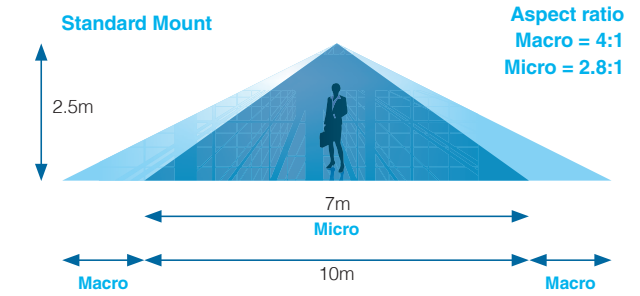


## LightSpot HD Dimming PIR Sensors

LS3000ARF	LightSpot HD 1-10v Analogue Dimming Sensor Flush Mount
LS3000ARSM	LightSpot HD 1-10v Analogue Dimming Sensor Surface Mount
LS3000DF	LightSpot HD Digital Dimming Sensor Flush Mount
LS3000DSM	LightSpot HD Digital Dimming Sensor Surface Mount
LS3000DRF	LightSpot HD Digital Dimming Sensor with Relay Flush Mount
LS3000DRSM	LightSpot HD Digital Dimming Sensor with Relay Surface Mount
LS3000ARMBF	LightSpot HD Mid-Bay 1-10v Analogue Dimming Sensor Flush Mount
LS3000ARMBSM	LightSpot HD Mid-Bay 1-10v Analogue Dimming Sensor Surface Mount
LS3000DMBF	LightSpot HD Mid-Bay Digital Dimming Sensor Flush Mount
LS3000DMBSM	LightSpot HD Mid-Bay Digital Dimming Sensor Surface Mount
LS3000DMBIPF	LightSpot HD IP55 Mid-Bay Digital Dimming Sensor Flush Mount
LS3000DRMBF	LightSpot HD Mid-Bay Digital Dimming Sensor with Relay Flush Mount
LS3000DRMBSM	LightSpot HD Mid-Bay Digital Dimming Sensor with Relay Surface Mount
LS3000ARHBF	LightSpot HD Hi-Bay 1-10v Analogue Dimming Sensor Flush Mount
LS3000ARHBSM	LightSpot HD Hi-Bay 1-10v Analogue Dimming Sensor Surface Mount
LS3000DHBF	LightSpot HD Hi-Bay Digital Dimming Sensor Flush Mount
LS3000DHBSM	LightSpot HD Hi-Bay Digital Dimming Sensor Surface Mount
LS3000DHBIPIF	LightSpot HD IP55 Hi-Bay Digital Dimming Sensor Flush Mount
LS3000DRHBF	LightSpot HD Hi-Bay Digital Dimming Sensor with Relay Flush Mount
LS3000DRHBSM	LightSpot HD Hi-Bay Digital Dimming Sensor with Relay Surface Mount

## Sensing Data

	Aspect ratio (diameter: height)		
Type	Micro Detection - High Sensitivity	Macro Detection - Standard Sensitivity	Max recommended mounting height
Office	2.8:1 (7m diameter @ 2.5m height)	4:1 (10m diameter @ 2.5m height)	3.5m
Mid-Bay	N/A	2:1 (20m diameter @ 10m height)	12m
Hi-Bay	N/A	1.9:1 (27m diameter @ 14m height)	16m



## LightSpot HD Tools

QuickControl	LightSpot HD Infrared User Controller
QuickSet	LightSpot HD Infrared Programming Tool
QuickSet Pro	LightSpot HD Digital 2 Way Programming Tool

## LightSpot HD Accessories

SURFMT	LightSpot HD Surface Mount Kit
LSHDFLUSHMT	Flush-Mounting Kit for Surface-Mount LightSpot HD Sensors
RTRADP	Retrofit Adaptor for Converting Legacy LightSpot Mounting
LOCKRING	LightSpot HD Secure Flush Mount Adaptor

Honeywell Ex-Or, St. Marks Court, North Street, Horsham, West Sussex, RH12 1BW, UK  
Customer Service Tel +44 (0)1942 719229

ex-or@honeywell.com

www.ex-or.com

© 2018 Honeywell International Inc.

D6010 - Rev A 12-Sep-2018.