

Electromagnetic Door Holders

Honeywell's range of door holders provide attractive aesthetics and high performance for buildings requiring an automatic door release function in the event of a fire emergency.

Each door holder is fitted with a spring loaded release pin mounted centrally within the electromagnet. On power off, the release pin then pushes the door away from the electromagnet. This overcomes any residual magnetism ensuring correct operation.

The D.C. unit is fitted with a suppression diode and protection against reverse polarity such that it may be operated from a reverse polarity monitored circuit.

All the electromagnets are designed to comply with the latest requirements of EN61000-3-2, EN50081-1, EN60950 and EN1155 (CPD Approved). The low profile, flame retardant ABS housing results in an attractive and robust design and contains a push button for quick, easy release of the door.

DR/W Door Holders

To close fire doors in an emergency and prevent the spread of fire and smoke. Both door holders are fitted with an integral manual release button, allowing the door to be closed without operating the fire alarm. Both versions are supplied with a door mounting keeper plate.



TECHNICAL SPECIFICATION

FLOOR MOUNTED 24V DC DOOR HOLDER - 04390-41

Mechanical Specification:

Approx Weight	700g
Finish	White painted housing, zinc plated magnet
Holding Force	200N

Electrical Specification:

Voltage	24V dc
Current Consumption	45mA

Environmental Specifications:

Ambient Temperature	0°C to +35°C
---------------------	--------------

KEY FEATURES

- Low profile design
- 200N holding force
- Easy cable entry & exit
- A.C. or D.C. options
- Push button release/ test
- Floor mounting bracket available
- Anti-residual magnetism feature
- D.C. version polarised and suppressed feature

TECHNICAL SPECIFICATIONS

WALL MOUNTED 24V DC DOOR HOLDER - 04390-31

Mechanical Specification:

Approx Weight	360g
Finish	White Fire Resistant ABS
Holding Force	200N

Electrical Specification:

Voltage	24V dc
Current Consumption	45mA

Environmental Specifications:

Ambient Temperature	0°C to +35°C
---------------------	--------------

Approvals:

EN1155 :1997 (CPD Approved)

WALL MOUNTED 230V AC DOOR HOLDER - 04390-55

Mechanical Specification:

Approx Weight	360g
Finish	White Fire Resistant ABS
Holding Force	200N

Electrical Specification:

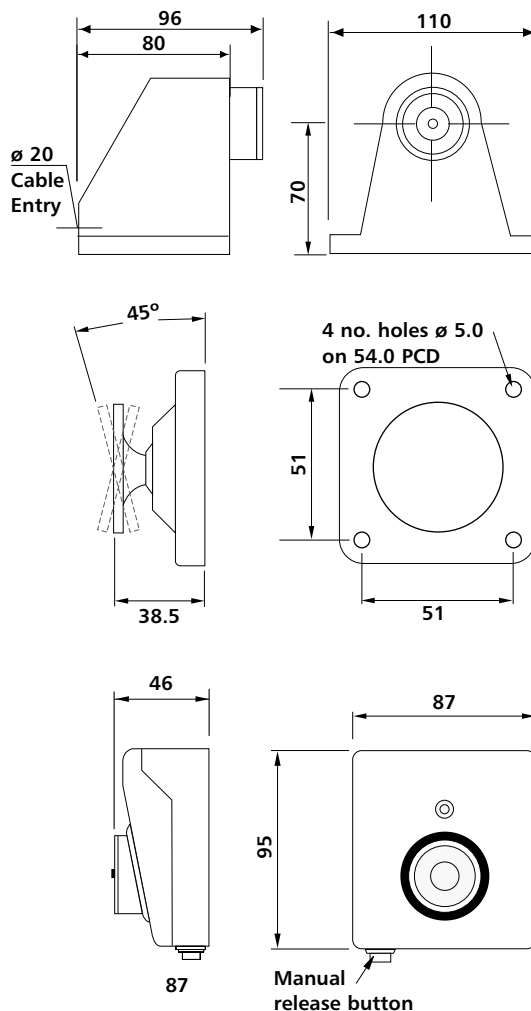
Voltage	230V ac
Current Consumption	12mA

Environmental Specifications:

Ambient Temperature	0°C to +40°C
---------------------	--------------

Approvals:

EN1155 :1997 (CPD Approved)



ORDER CODES

Model:	Description:
04390-31	Magnet Door Holder 24V DC 22mA
04390-41	Magnet Door Holder floor mounted 24V DC 45mA
04390-55	Magnet Door Holder 240V AC 17.5mA
04390-92	Door Holder Floor Plate; fixing door holder at right angle to floor
04390-99	Door Plate Assembly (Spare), Door Keeper Plate in two pieces
HLS-PSU-TR20	Door Hold Transformer-Rectifier 24V 2A
HLS-PSU-TR40	Door Hold Transformer-Rectifier 24V 4A

Honeywell

Tel: +44 (0) 116 246 2000
 Fax: +44 (0) 116 246 2300
 Email: hlsuksalesupport@honeywell.com
 140 Waterside Road
 Hamilton Industrial Park
 Leicester
 LE5 1TN

October 2015
 © 2015 Honeywell International Inc.

Honeywell