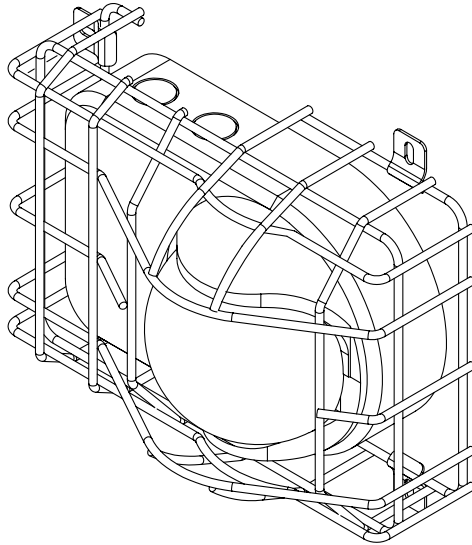


# OSID Wire Guard

OSID-WG



## Features

- Designed to not interfere with the operation of the protected unit.
- Fast and easy installation.
- Simple removal for servicing the units.
- Constructed from 9 gauge galvanised steel rod.
- Plastic coated for durability and use in harsh environments.
- Protects against vandalism or accidental damage

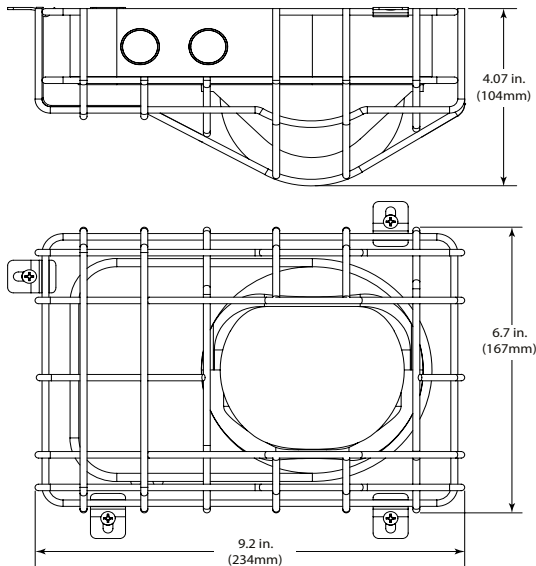
## Application

This steel cage is designed to protect OSID Imagers and Emitters from vandalism and accidental damage.

The cage is constructed of heavy gauge steel wire with corrosion resistant polyester coating.

Installation and servicing are easy.

Highly recommended for areas where abuse to beams is severe.



## Specifications

**Material:**

Hard drawn steel wire

**Thickness:**

9 gauge - 0.144" (0.366mm) Diameter

**Finish:**

Polyester Powder Coating -  
Non Carcinogenic

**Colour:**

White

**HMS:**

Code-010E

## Ordering Codes

**OSID-WG** Wire Guard for Imager and Emitter

## Honeywell Security and Fire

140 Waterside Road  
Hamilton Industrial Park  
Leicester  
LE5 1TN

Tel: +44 (0) 116 246 2000  
Email: ukorders@honeywell.com

Doc. 21595\_00

# Honeywell