

SAFE Solution

SAFE is a fully engineered solution for your building to allow you to bridge the gap between BS5839 Part 1 and BS5839 Part 6 without the risk of generating multiple false evacuations.

Using our industry leading S-Quads and through the power of voice, it enables clear alert and evacuation guidance to any building occupant.

EN54 Part 2 Type B Dependency Approved.

SAFE Buttons

The SAFE buttons allows the occupants to control their local alarms in their alarm areas*.

The SAFE buttons allows the occupant to silence and test their local alarms. A confirmation LED is included to visually inform occupants that action has taken place.

The button delays are fully configurable within the Vigilon Panel to cater for many applications where events can be managed by the user.

In the landlords areas, this will be designed to BS5839 Part 1 standards and in the residential areas to BS5839 Part 6 allowing you to manage your buildings installation to the appropriate standard.

*Alarm area refers to a group of S-Quad sensors in a single area of a building. ie. Residential dwelling, hotel bedroom, hospital ward.

KEY FEATURES

- Best detection throughout. Allows best in class S-Quad multi criteria detectors to reduce false alarms. SAFE is recommended for use with S-Quad multi criteria devices.
- Fully configurable. Allowing the installer to design delay periods and response times on all parts of the SAFE system, in order to ensure it meets your building requirements.
- Never without detection. We only delay the smoke channel ensuring that heat sensors can sense any greater issue in the alarm area.
- Flexible and simple to install. The SAFE button works with the 4 channel interface allowing your maintenance provider simple and easy access to all parts of the BS5839 Part 1 system.
- Supporting compliance. BS5839 Part 6 requires the alarm in each dwelling to be tested on a regular basis. This activity is logged on the Vigilon system allowing landlords to check the residents are performing this task ensuring fire safety and compliance.
- Safety as standard. Reporting to show whether any residents have had multiple false alarms in any given time scale allowing you to respond and manage any potential fire risk before it occurs.
- The power of voice. Allowing clear voice messages from our S-Quad detectors to guide the residents on whether they have an incident in their apartment or if they need to evacuate.



SINGLE BUTTON



DOUBLE BUTTON



SILVER DOUBLE BUTTON



RED DOUBLE BUTTON

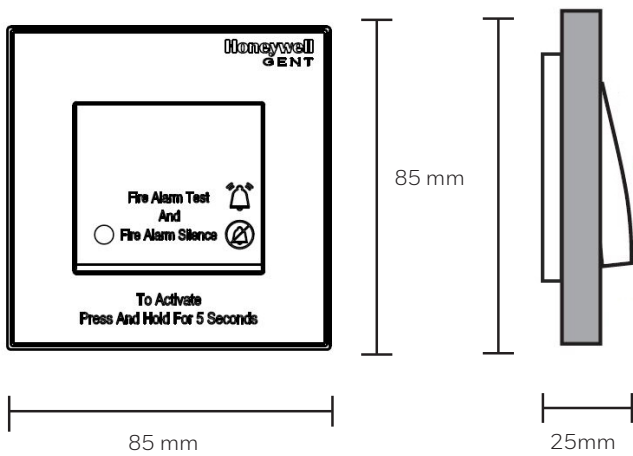
SAFE Button Technical Specifications

SPECIFICATIONS

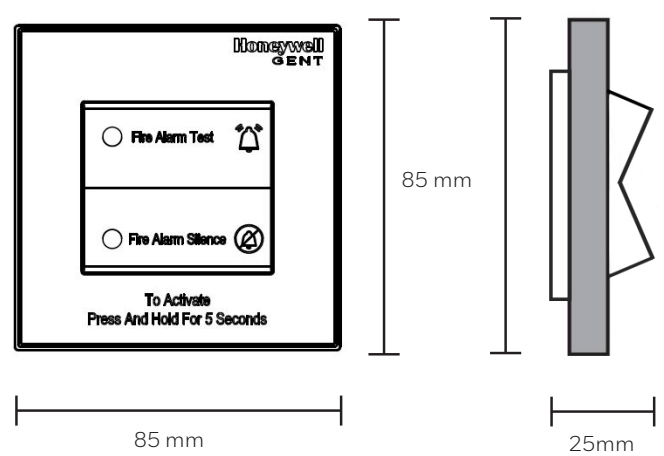
| | |
|-----------------------|----------------------------------|
| Operating Temperature | 1°C to 50°C |
| Loop Loading | 200 Alarm Areas per loop |
| Colour | White, Red and Stainless Steel |
| Weight | 200g |
| Dimensions | 85 mm (H) x 85 mm (W) x 25mm (D) |

Dimensions (mm)

Single Button



Double Button



ORDER CODES

| | |
|---|------------------|
| SAFE 1 position, White, switch kit containing - SAFE Switch, 4 Channel Interface and wiring loom (Does not include interface enclosure) | SAFE-WHITE-S-KIT |
| SAFE 2 position, White, switch kit containing - SAFE Switch, 4 Channel Interface and wiring loom (Does not include interface enclosure) | SAFE-WHITE-D-KIT |
| SAFE 2 position, Red, switch kit containing - SAFE Switch, 4 Channel Interface and wiring loom (Does not include interface enclosure) | SAFE-RED-D-KIT |
| SAFE 2 position, Stainless Steel, switch kit containing - SAFE Switch, 4 Channel Interface and wiring loom (Does not include interface enclosure) | SAFE-SS-D-KIT |

SPARES

| | |
|--|--------------------|
| SAFE 1 position, White, Spare switch complete with - SAFE Switch and wiring loom | SAFE-WHITE-S-SPARE |
| SAFE 2 position, White, Spare switch complete with - SAFE Switch and wiring loom | SAFE-WHITE-D-SPARE |
| SAFE 2 position, Red, Spare switch complete with - SAFE Switch and wiring loom | SAFE-RED-D-SPARE |
| SAFE 2 position, Stainless Steel, Spare switch complete with - SAFE Switch and wiring loom | SAFE-SS-D-SPARE |

For more information

www.gent.co.uk

Honeywell Gent
 140 Waterside Road
 Hamilton Industrial Park,
 Leicester, LE5 1TN
 Telephone: 02034091779
 E-mail: gentenquiry@honeywell.com

Content subject to change
 without notice

SAFE 09/19

© 2019 Honeywell International Inc.

Honeywell
GENT