

# NETWORK 8 MASTER HANDSET

## Emergency Voice Communication System

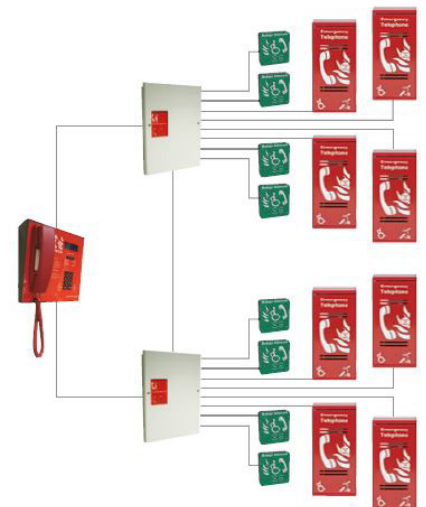
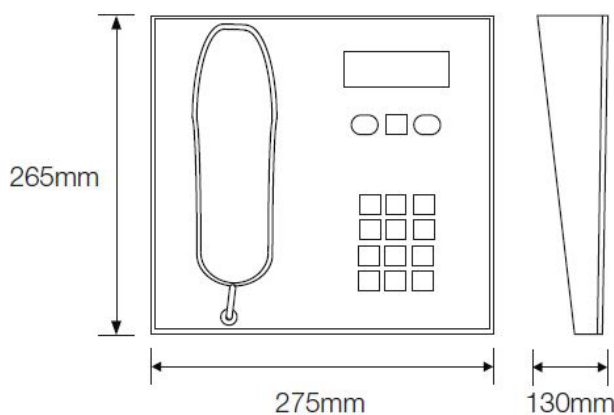
EVCS Network 8 is a system for larger installations. The Network 8 System Master Handset allows swift identification of Outstations via its on-board directory and clear backlit display.

The desk Network 8 Master Handset operates as a system exchange from which calls from individual outstations may be answered or dialled directly using its reference number or selected from a calling directory stored in the unit. Its distributed loop architecture provides a competitive system for systems from 8 to 256 communication points as well as multiple control locations.

## NETWORK 8 FEATURES

- Multiple handsets with up to 8 distributed throughout the system
- Up to 160 outstations via 20 Network Exchange units with V4.21 software
- Up to 256 outstations via 32 Network Exchange units with V5.0 software
- 4 line x 20 character backlit display
- Outstation text information held in handset directory
- May be used as combined or separate Disabled Refuge and Fire Telephone System
- Global configuration from Master Handset
- All Call feature allows easy testing and commissioning
- Remotely powered from network exchange unit

## NETWORK 8 DIMENSIONS



# NETWORK 8 TECHNICAL SPECIFICATION

## INDICATION AND CONTROLS

Fault LEDs	4 off yellow (General, Panel, Supply & Exchange)
Status LEDs	4 off green (Healthy, AC, DC & Network)
LCD High Contrast	Blue/White LCD, 4 line twenty-character 5x8 pixel format
Keyboard	12 Key Telephone Style
Navigation	3 Keys (Left, Accept, Right)

## NETWORK CABLES

Cores	1 off four Pair or 2 off four core 1mm CSA Soft Skin or 4 off 1 Pair MICC Twisted
Distance	500 M soft skin, 300 M MICC
Distance (per leg)	500 M soft skin types, 300 M MICC

## PROCESSING

Clock	16MHz
Memory	4K Ram, 20K EEPROM, 20K EEPROM, 128K Flash
Monitoring	Asynchronous Watchdog
Checksum	EEPROM & Flash

## PART NUMBERS

DESCRIPTION	ORDER CODE
Master Handset (Desk)	EVCS-MS
8 Way Exchange Unit/Charger, including 1 x 5Ah 12V battery	EVCS-XC
Flush Outstation Push Door, Type A	EVCS-HFP
Surface Station Push Door, Type A	EVCS-HSP
Surface Outstation Type B, Red	EVCS-HSB
Surface Outstation Type B, Green	EVCS-HSBG
Flush Mounting Bezel Type B, Stainless Steel	EVCS-HSFSS
Loose Handset With Jack Lead	EVCS-HLJ
Wall Jack Outlet Point	EVCS-WJP
Emergency Assist Alarm Network Version- PSU not included	EVCS-TA

## DIMENSIONS

Height	265 mm
Width	275mm
Depth	130 mm
Weight	1.490 kg

## POWER SUPPLY

Source	Network Port x 2
Voltage	11V to 18V DC
Current	88mA @ 12V

## STANDARDS

EMC	EN 55103-1 & EN 55103-2
Product Family	BS 5839-9 & BS 9999

### For more information

Contact your Business Manager

### Honeywell

140 Waterside Road  
Hamilton Industrial Park  
Leicester, LE5 1TN  
Tel: +44 (0) 203 409 1779

NETWORK8DESK01 | 06/19  
© 2019 Honeywell International Inc.

**Honeywell**