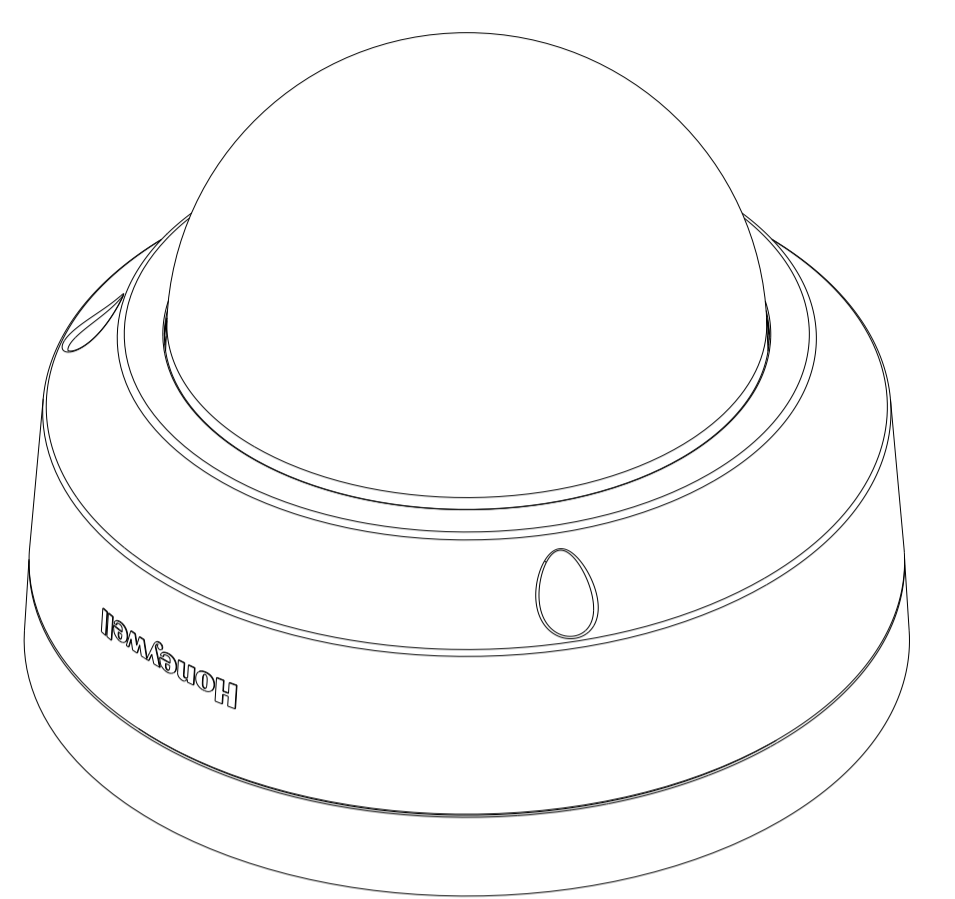
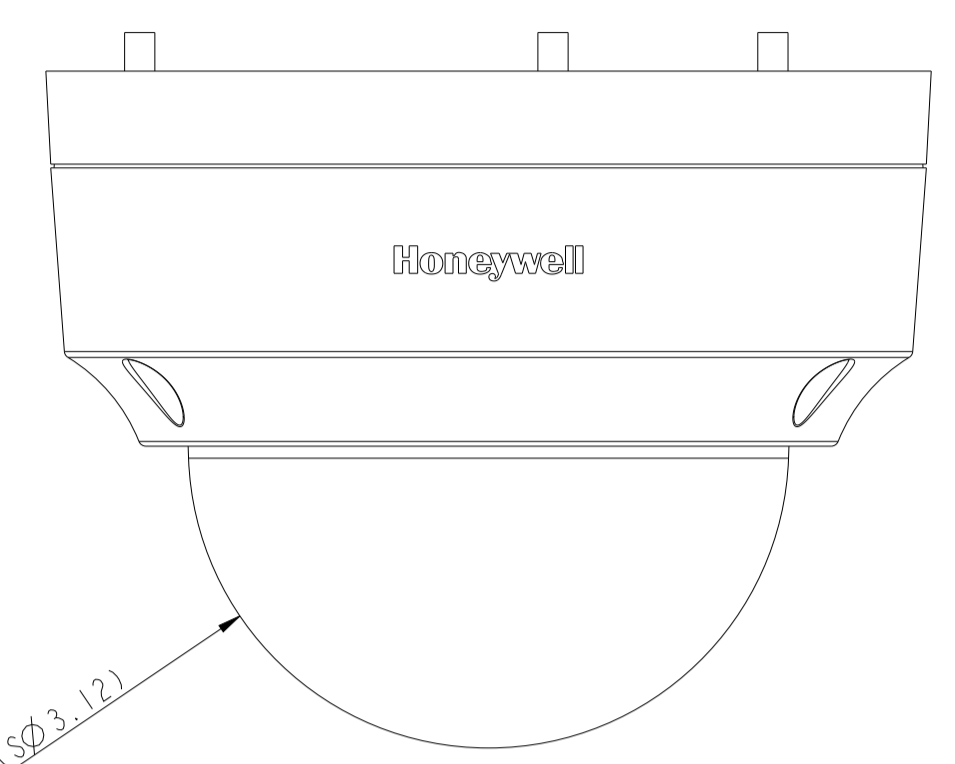


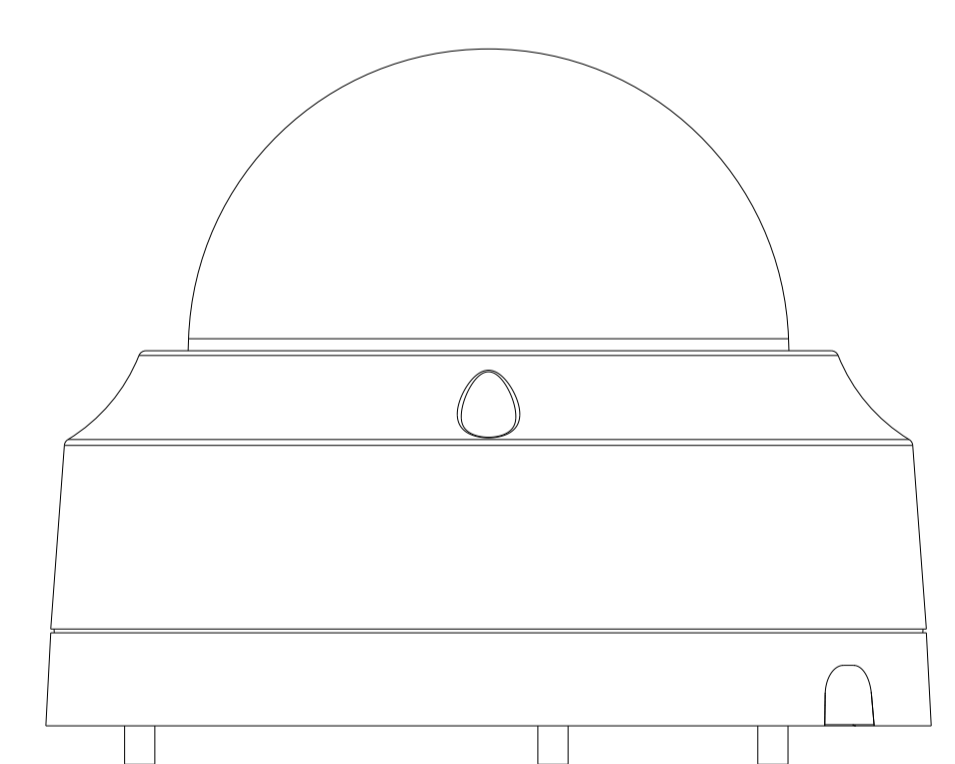
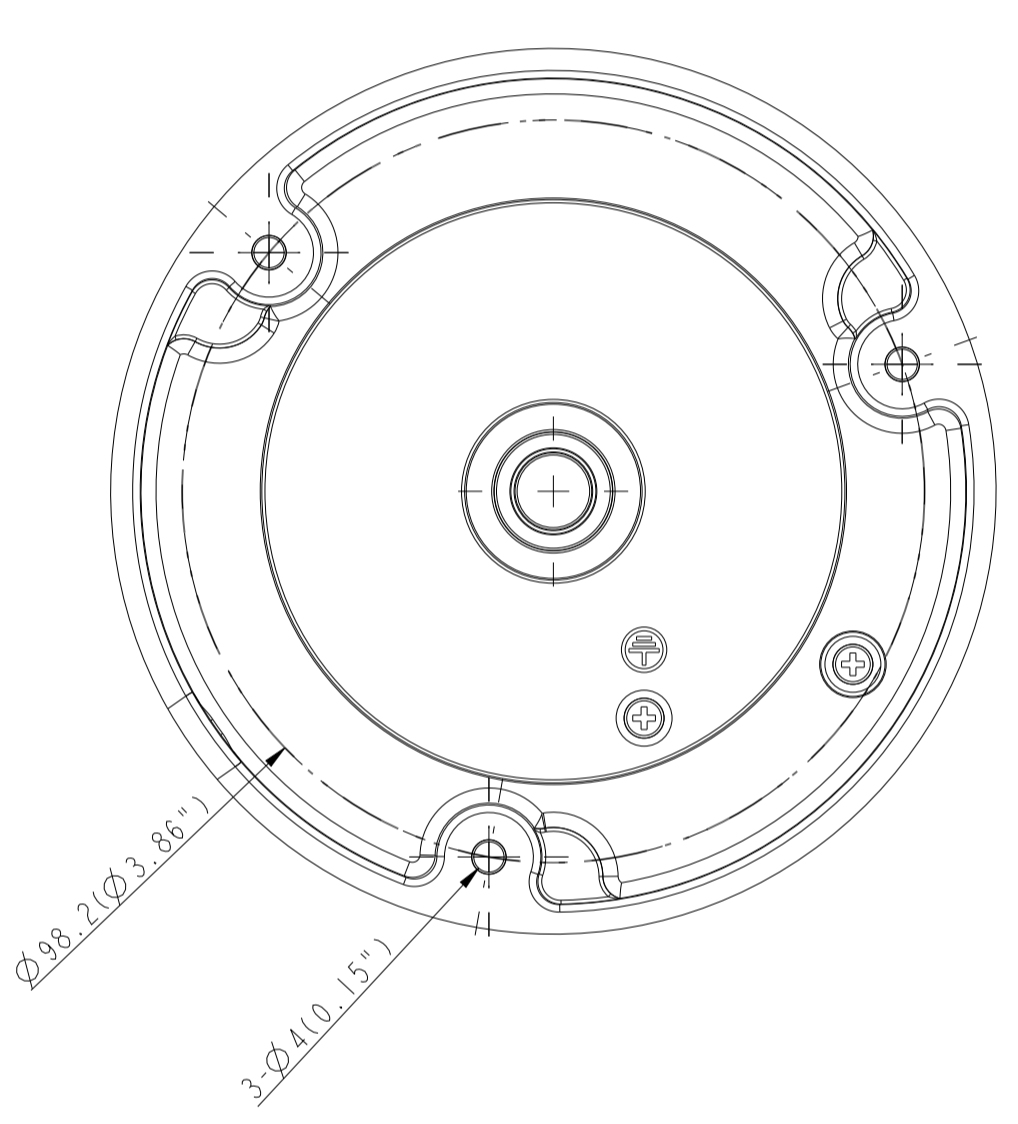
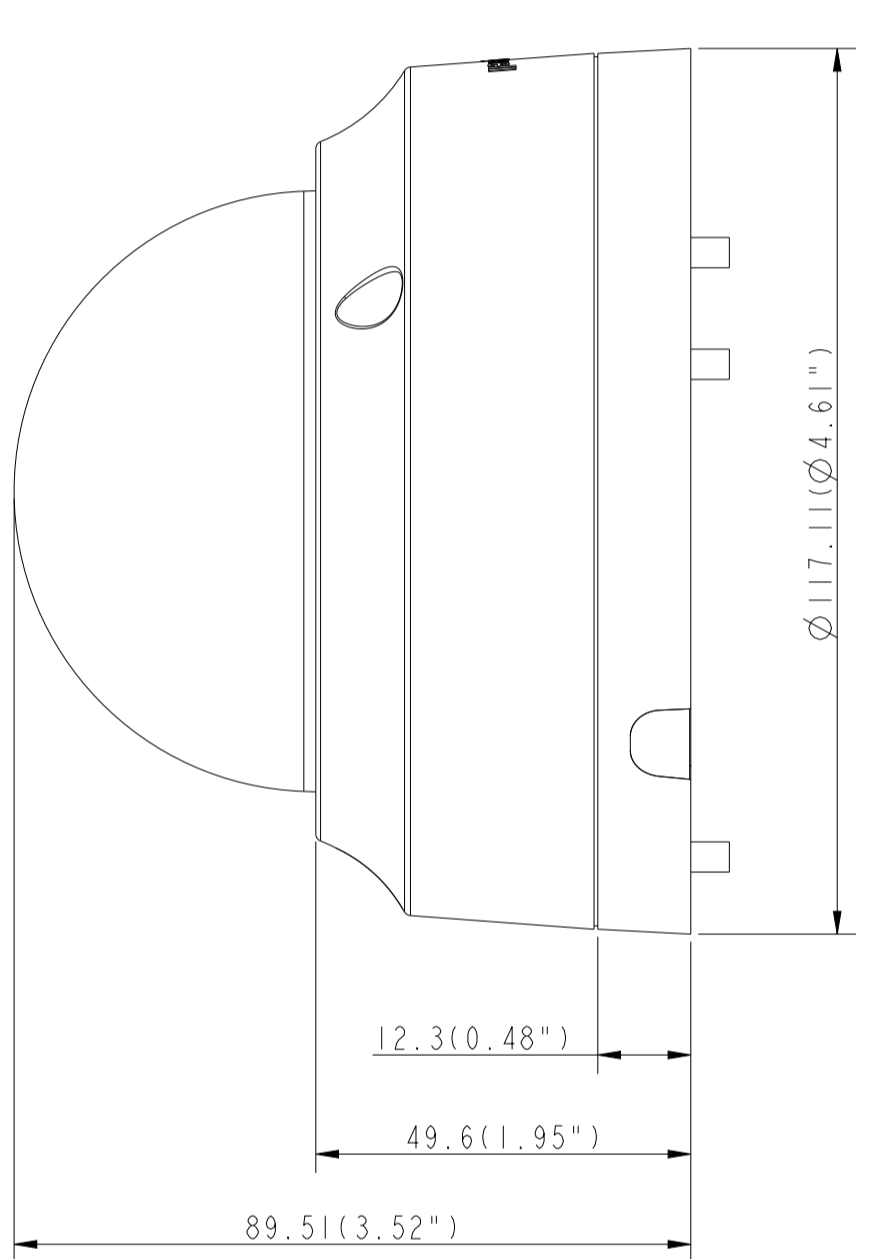
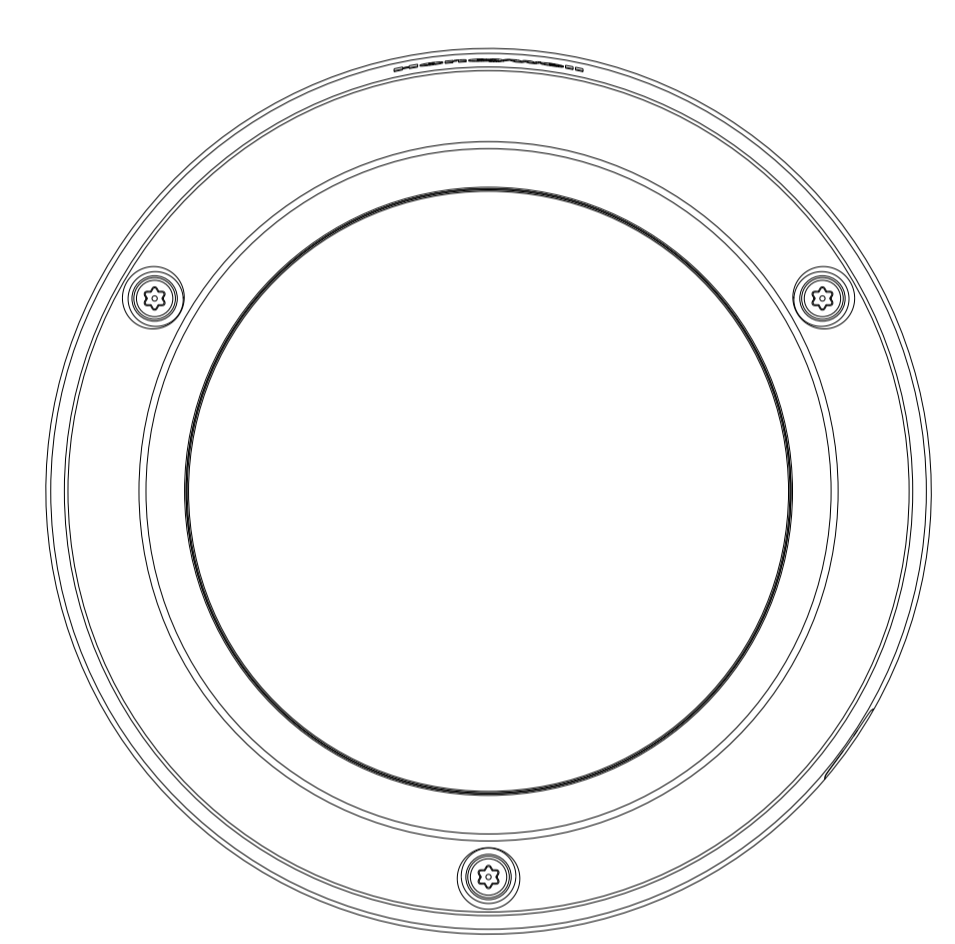
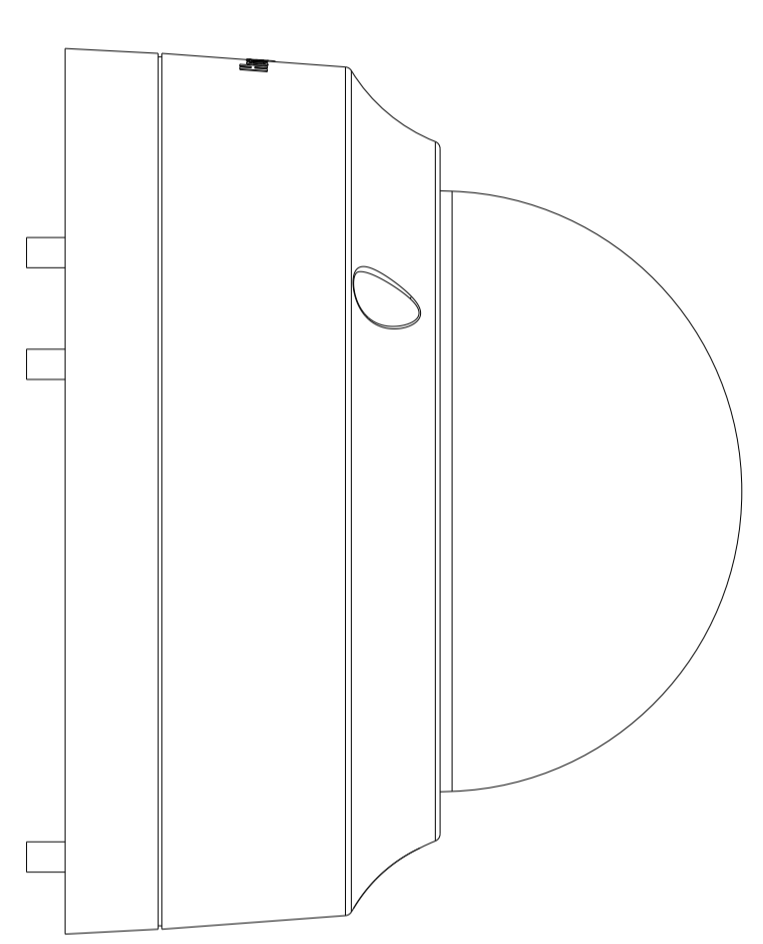
機密 | CONFIDENTIAL

REVISIONS

REV	DESCRIPTION	ENGINEER	REQUIRE	DATE
1.0	New Edition			Mar-04-19



Ø79.41(Ø3.12)



UNLESS OTHERWISE SPECIFIED
ALL DIMENSIONS ARE IN mm

TOLERANCE ON:
 LINEAR : <30 ±0.10
 30-50 ±0.15
 50-100 ±0.18
 100-200 ±0.20
 200-300 ±0.25
 >300 ±0.30

ANGULAR: X ±1°
 X.X ±0.5°

Honeywell Security THIS DRAWING ON THIS PRINT AND INFORMATION THEREWITH ARE PROPRIETARY TO VIVOTEK INC. AND SHALL NOT BE USED OR DISCUSSED IN WHOLE OR IN PART WITHOUT VIVOTEK'S CONSENT. 2D_Drawing_HC30W4xR3	PART NO.					
	ENGR	Seven	MODEL	HC30W42R3-HC30W45R3		
	DRN	Seven	DRAWING TITLE			
	CHK	Gary	DRAWING NO.			
	APRV	Clayton	ISSUE DATE	Mar-04-19	REVISION	1.0
M'TL		SCALE	1:1	UNIT	mm	
FINISH		SIZE	A1	SHEET	1 OF 1	
	3 angle projection					