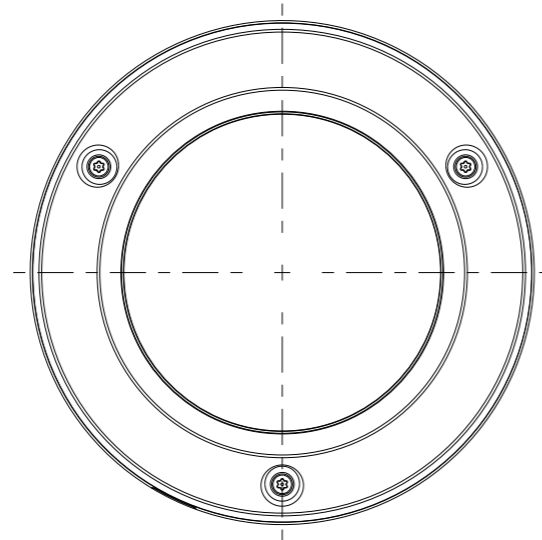
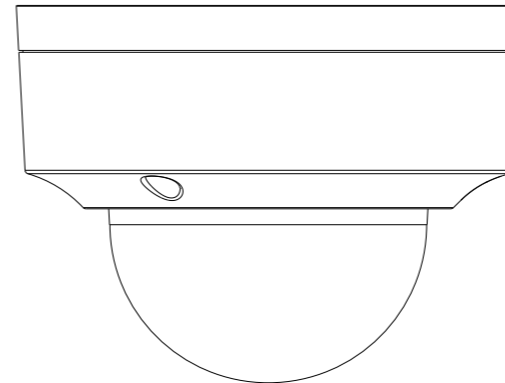
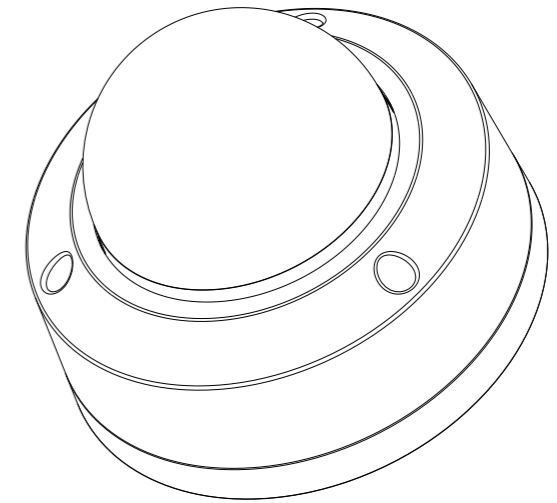
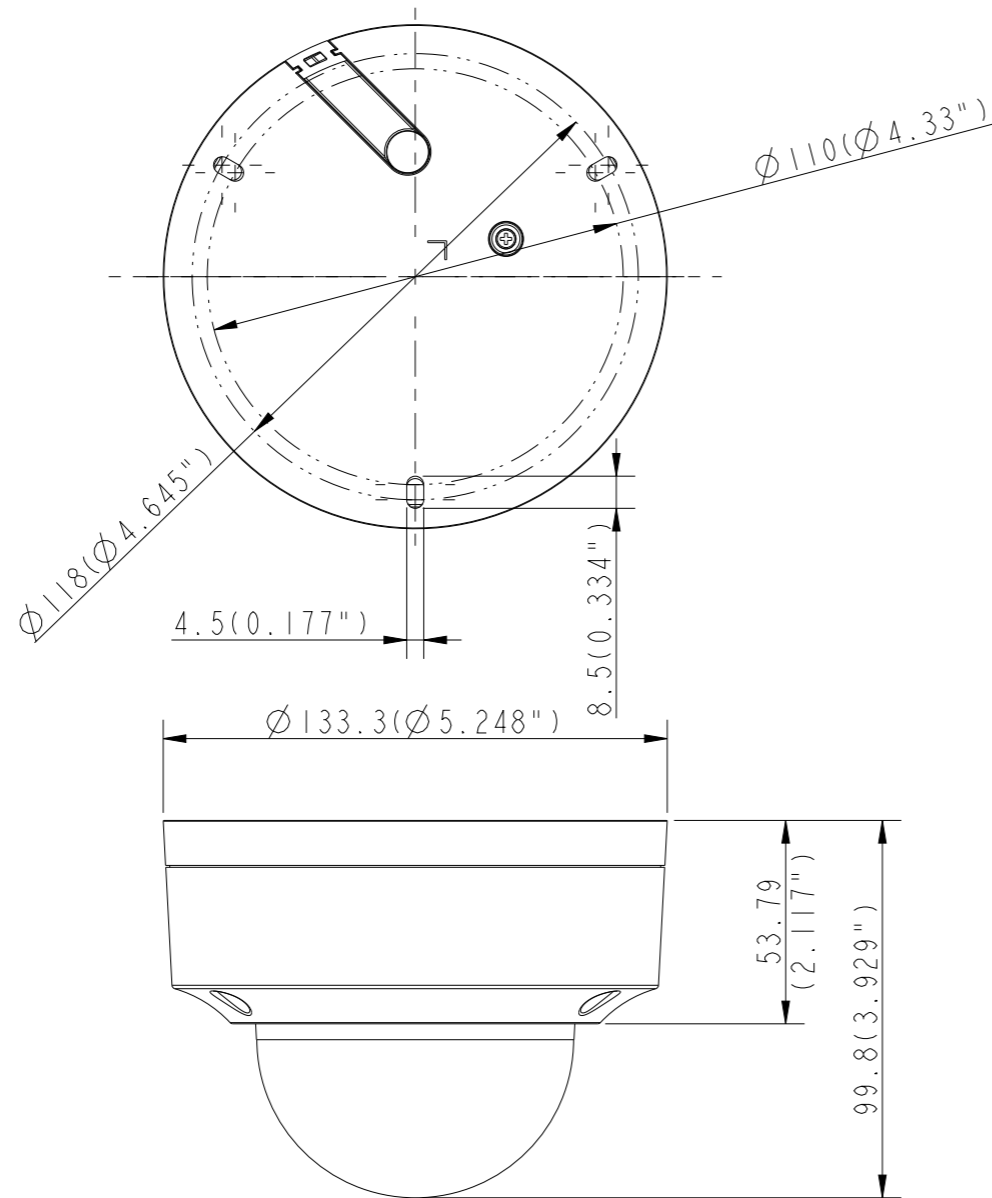


機密 | CONFIDENTIAL

REVISIONS

REV	DESCRIPTION	ENGINEER	REQUIRE	DATE
1.0	New Edition			05-Jun-19



UNLESS OTHERWISE SPECIFIED
ALL DIMENSIONS ARE IN mm

TOLERANCE ON:
 LINEAR : <30 ±0.10
 30-50 ±0.15
 50-100 ±0.18
 100-200 ±0.20
 200-300 ±0.25
 >300 ±0.30

ANGULAR: X ±1°
 X.X ±0.5°

Honeywell Security

THIS DRAWING ON THIS PRINT AND INFORMATION
THEREWITH ARE PROPRIETARY TO VIVOTEK INC.
AND SHALL NOT BE USED OR DISCUSSED IN WHOLE
OR IN PART WITHOUT VIVOTEK'S CONSENT.

2D_Drawing_HC30W45R2

PART NO.		MODEL			
ENGR	Brian	HC30W45R2			
DRN	Brian	DRAWING TITLE			
CHK	Gary	DRAWING NO.			
APRV	Clayton	ISSUE DATE	05-Jun-19	REVISION	1.0
M'TL	NA	SCALE	1:2	UNIT	mm
FINISH	NA	SIZE	A3	SHEET	1 OF 1
3 angle projection					