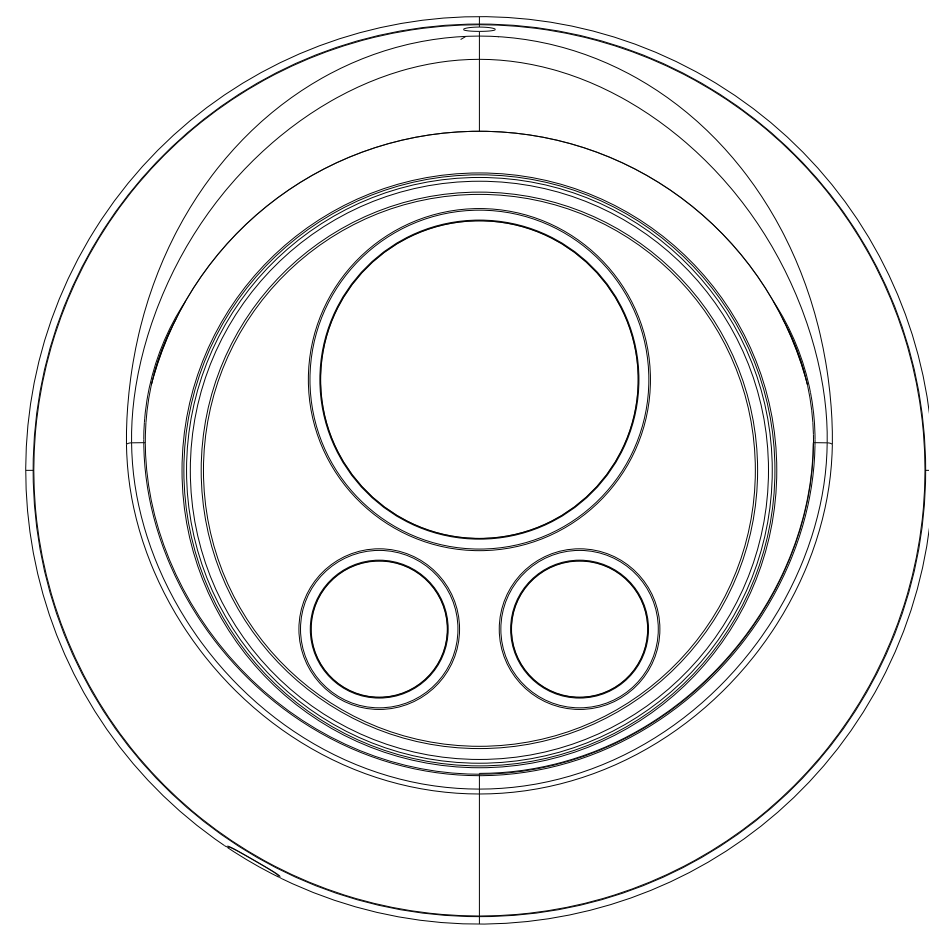
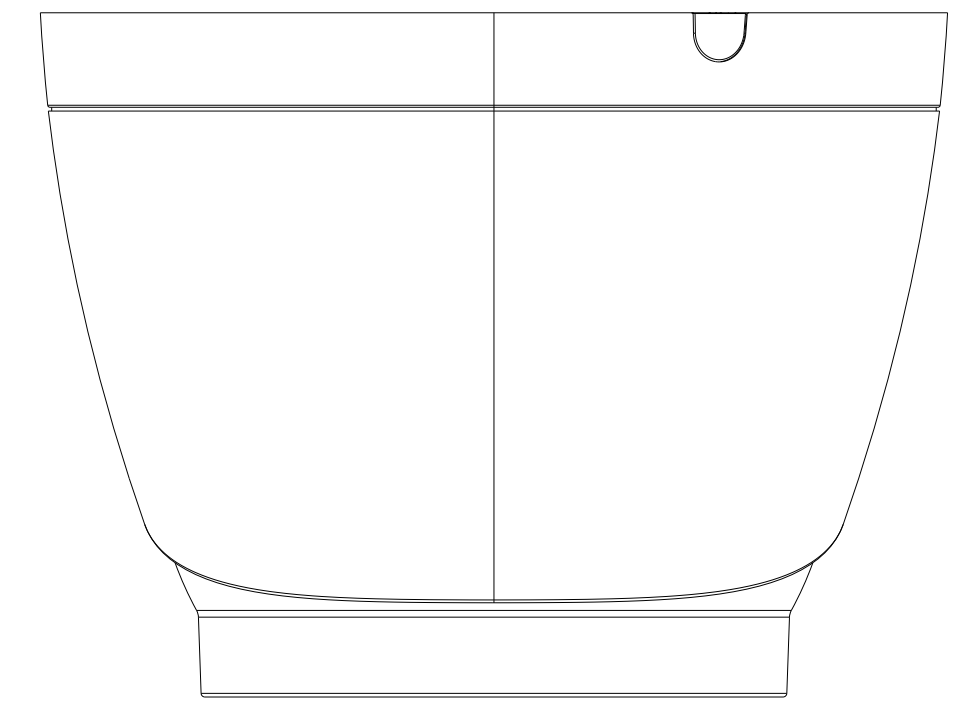
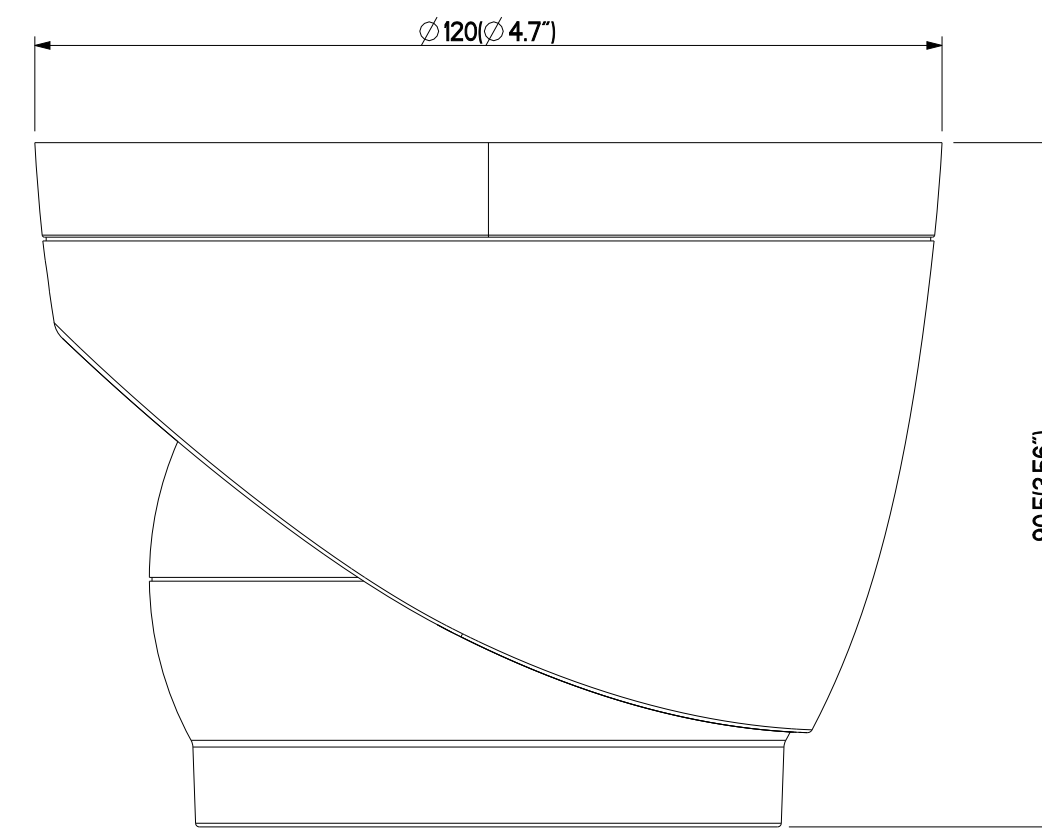
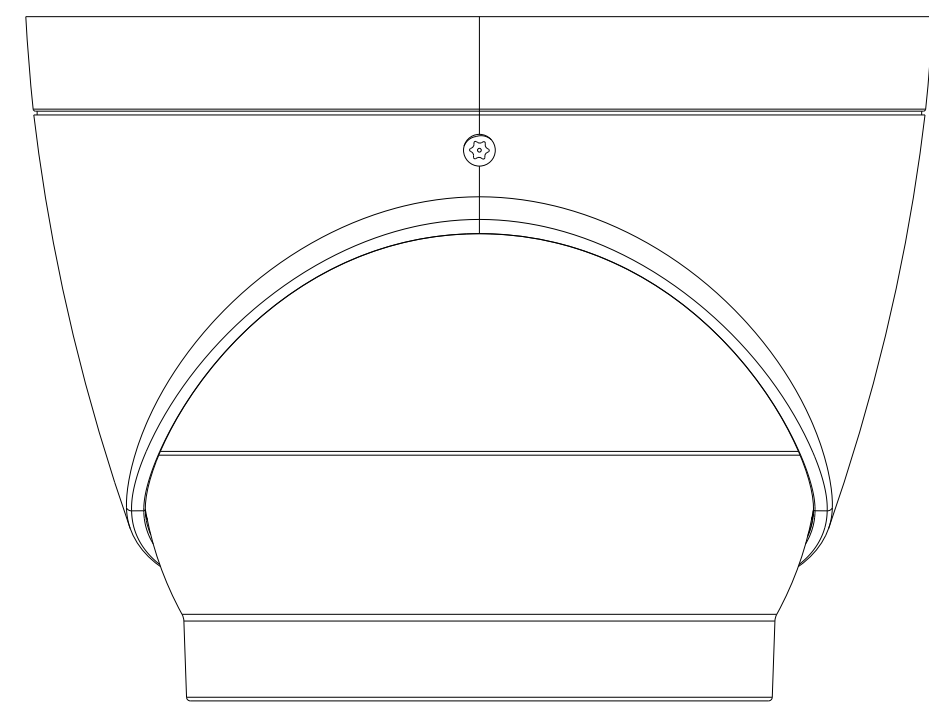
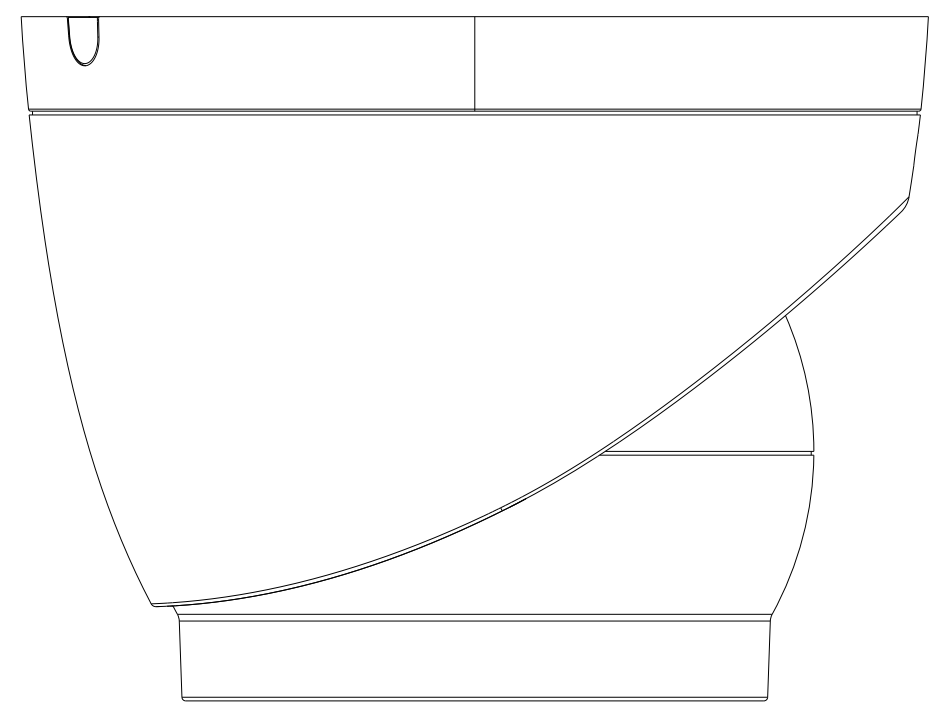
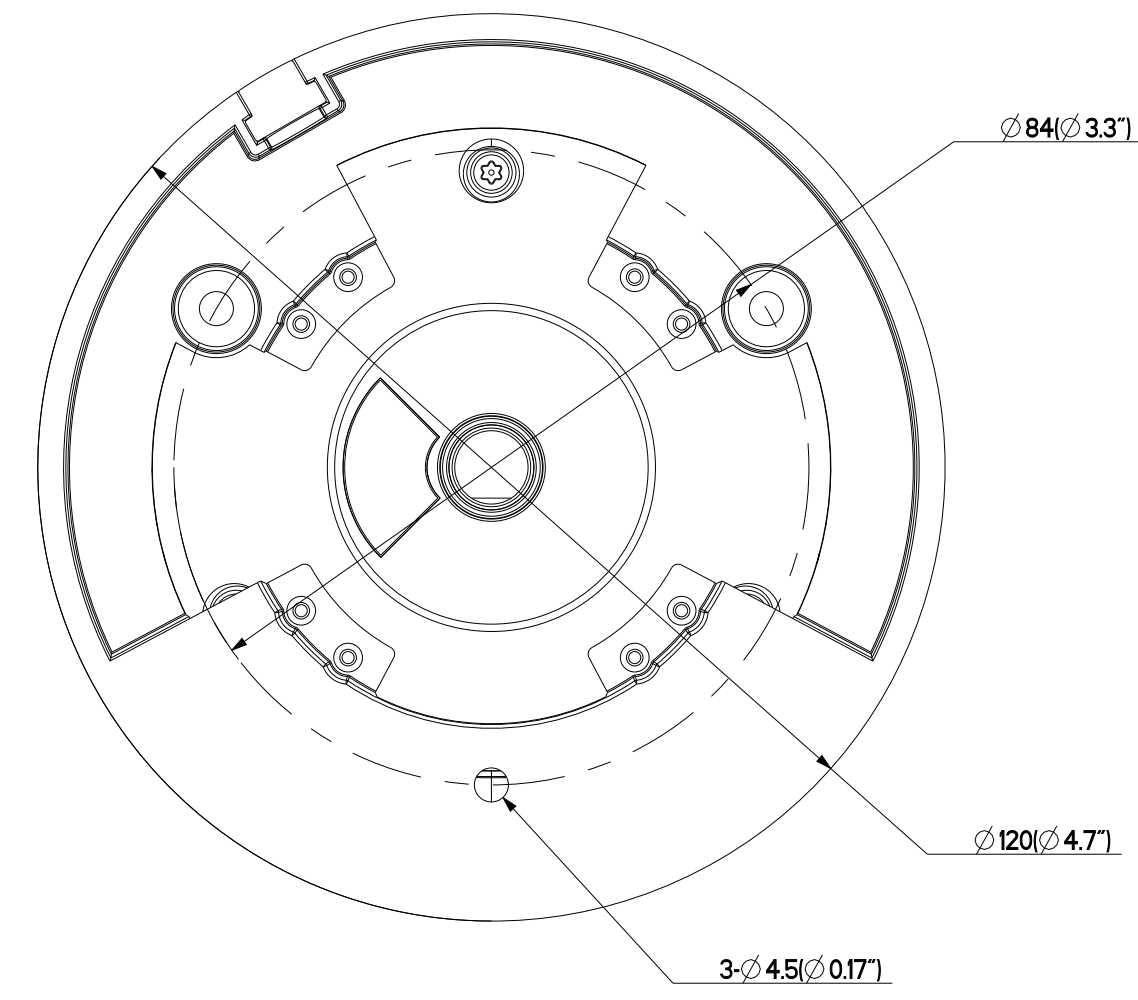


機密 | CONFIDENTIAL

REVISIONS

REV	DESCRIPTION	ENGINEER	REQUIRE	DATE
1.0	New Edition			Dec-14-18



UNLESS OTHERWISE SPECIFIED  
ALL DIMENSIONS ARE IN mm

TOLERANCE ON:  
 LINEAR : <30 ±0.10  
 30-50 ±0.15  
 50-100 ±0.18  
 100-200 ±0.20  
 200-300 ±0.25  
 >300 ±0.30

ANGULAR: X ±1°  
 X.X ±0.5°

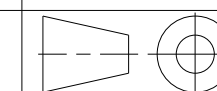
Honeywell Security

THIS DRAWING ON THIS PRINT AND INFORMATION  
THEREWITH ARE PROPRIETARY TO VIVOTEK INC.  
AND SHALL NOT BE USED OR DISCUSSED IN WHOLE  
OR IN PART WITHOUT VIVOTEK'S CONSENT.

2D\_Drawing\_HC30WE5R2

PART NO.

ENGR	Jimmy	MODEL	HC30WE5R2		
DRN	Jimmy	DRAWING TITLE			
CHK		DRAWING NO.			
APRV		ISSUE DATE	Dec-14-18	REVISION	1.0
M'TL		SCALE	1/1	UNIT	mm
FINISH		SIZE	A1	SHEET	1 OF 1



3 angle projection