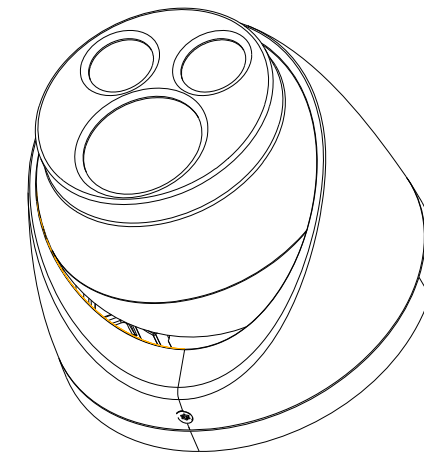
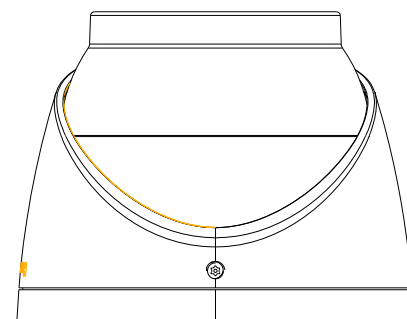
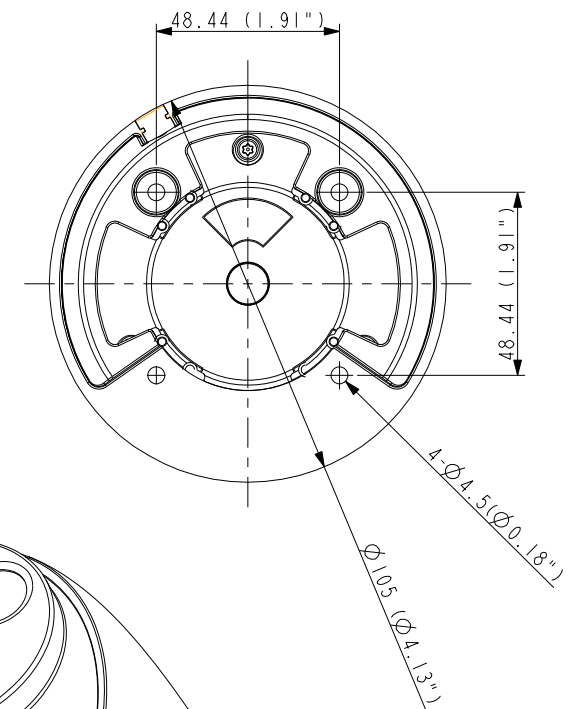
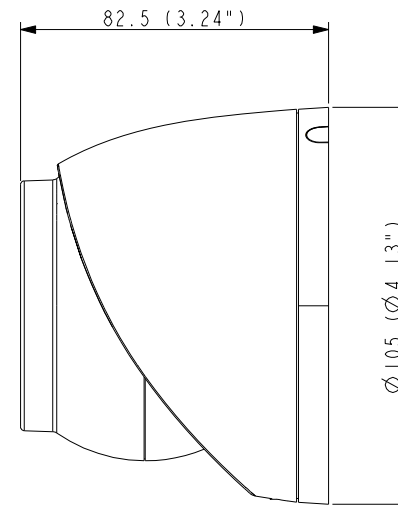
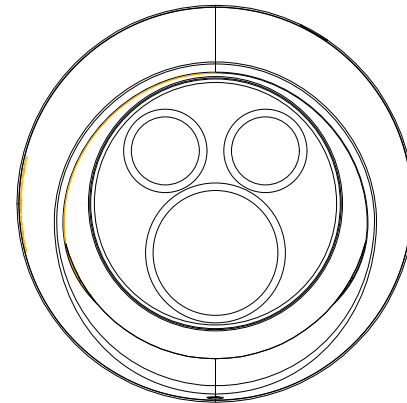
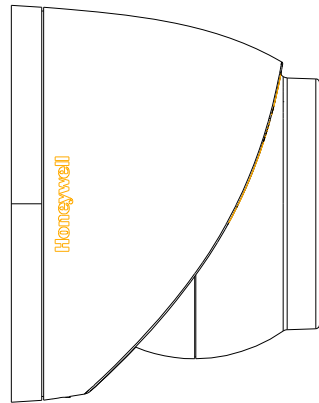
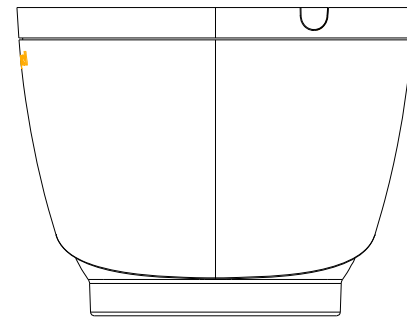


機密 | CONFIDENTIAL

REVISIONS

REV	DESCRIPTION	ENGINEER	REQUIRE	DATE
1.0	New Edition			04-Jan-19



UNLESS OTHERWISE SPECIFIED
ALL DIMENSIONS ARE IN mm

TOLERANCE ON:
LINEAR : <30 ±0.10
 30-50 ±0.15
 50-100 ±0.18
 100-200 ±0.20
 200-300 ±0.25
 >300 ±0.30

ANGULAR: X ±1°
 X.X ±0.5°

Honeywell Security

THIS DRAWING ON THIS PRINT AND INFORMATION
THEREWITH ARE PROPRIETARY TO VIVOTEK INC.
AND SHALL NOT BE USED OR DISCUSSED IN WHOLE
OR IN PART WITHOUT VIVOTEK'S CONSENT.

2D_Drawing_HC30WExR3

PART NO.					
ENGR	Winy	MODEL	HC30WE2R3-HC30WE5R3		
DRN	Winy	DRAWING TITLE			
CHK	Jack	DRAWING NO.			
APRV	Clayton	ISSUE DATE	04-Jan-19	REVISION	1.0
M'TL	ADC	SCALE	1:2	UNIT	mm
FINISH		SIZE	A3	SHEET	1 OF 1
3 angle projection					