



THE INDUSTRY'S MOST VERSATILE BREED OF PIR
FOR COMMERCIAL AND RESIDENTIAL INSTALLATIONS

One size fits all

A distributor's best friend.

Finally, a breed of sensor perfect for any installation. Ideal for small pets, large pets or no pets, Honeywell's versatile IS2500 Series has everything you've been looking for, with versions featuring selectable immunity for animals weighing up to 36 kg, global compliance, reduced false alarms and exceptional catch performance - providing an unmatched level of versatility and convenience.

And since it's ideal for residential and commercial installations, it's the only one you'll ever have to stock.

The IS2500 Series.
Truly a distributor's best friend.

Selectable Pet Immunity

IS2500 sensors feature selectable pet immunity,* providing incredible convenience. Choose from the highsecurity non-pet setting, the intermediate 18 kg. setting or the robust 36 kg. setting-all in one sleek, easy-to-install unit.

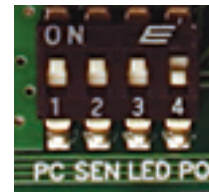
Reduced False Alarms

Honeywell's patented black bug guard totally seals the optic area-preventing bug access and reducing false alarms.



Sensitivity

Dip switches make it easy to adjust the sensitivity up to four different levels in order to adequately protect the premises.



Versatility

IS2500 Series sensors are ideally suited for use in both residential and commercial applications, with three available coverage patterns to satisfy each and every installation.

Flexibility

IS2500 sensors mount virtually anywhere - on walls, in corners or on ceilings.

Reliability

IS2500 sensors are so reliable they satisfy many of the world's motion detector standards, including CE. And features like dual slope temperature compensation, a special Microprocessor based design and patented look down mirror ensure superior catch performance.

*Versions featuring selectable pet-immunity: IS2535T and IS2535TC

Designed with the installer in mind.

Style Meets Technology

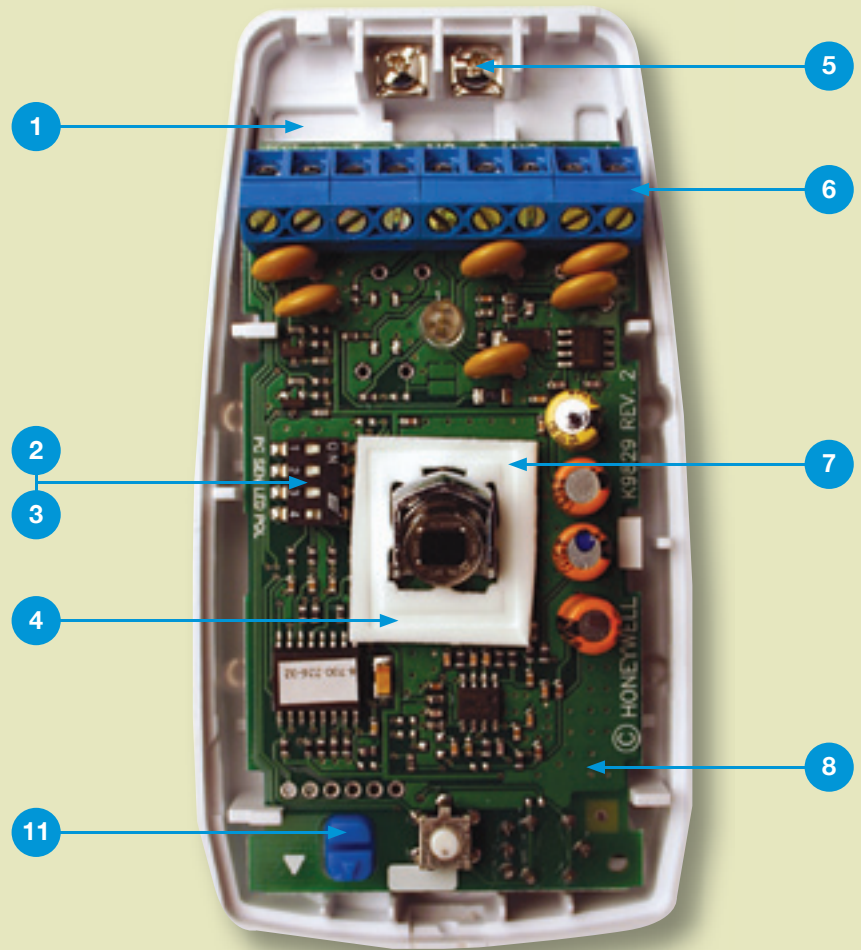
Honeywell's IS2500 PIRs feature a modern, leading-edge design that's simple, uncluttered and blends with any décor. Whether choosing versions with pet-immunity, tamper or Form C relay, all sensors share the same sleek, sophisticated look.



Large wiring area on the back of the PIR allows for quick and easy mounting.



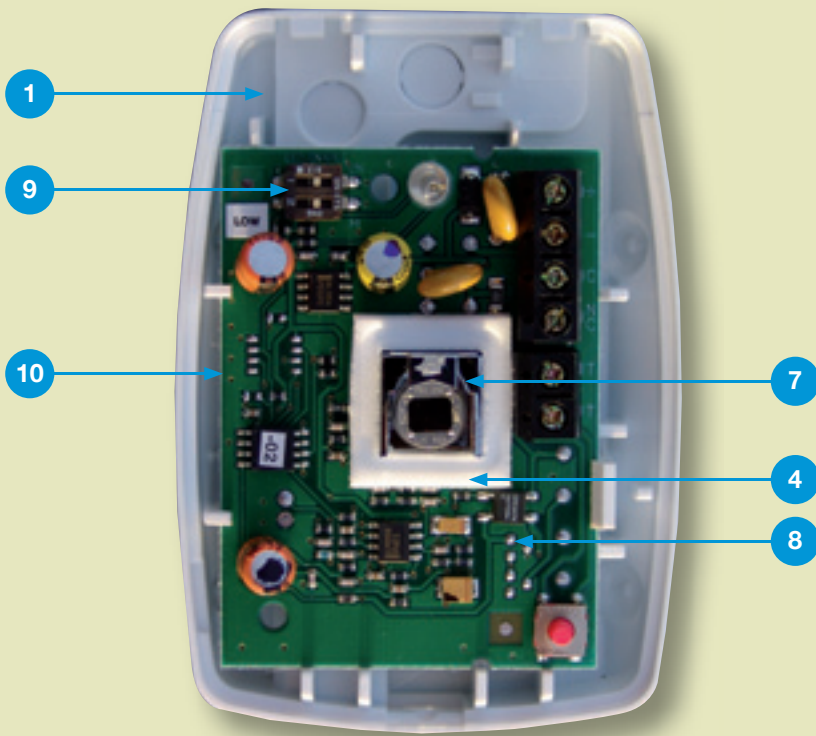
IS2535T / IS2535TC / IS2560T / IS2560TC / IS25100TC



- 1 Large Wiring Area**
Makes wiring more convenient
- 2 Dip Switch**
Makes installation and set-up simple, with no jumpers to drop
- 3 Selectable Pet Immunity**
0, 18 or 36 kg all in one unit with the flip of a dip switch
- 4 Black Bug Guard Gasket**
Prevents bugs from gaining access and improves performance when bright lights are shined into the PIR, minimizing false alarms
- 5 Spare EOL Terminal Blocks**
Makes wiring zones simpler. Available on TC models only
- 6 45° Terminal Block**
Makes installation and testing a snap

IS215TCE/IS216T-CUR

Wall-mount and corner mount knockouts provides mounting flexibility



7 Patented Look-Down Mirror
Improves coverage in the vulnerable area directly underneath the sensor for an added level of security

8 Surface Mount Design
Reduces susceptibility to RF interference

9 Automatic walktest
10 min. walk test after start-up or trigger

10 Selectable sensitivity

11 Solid State alarm relay
Silent relay allows for use in quiet environments Cannot be compromised by a magnet

IS PIR Series

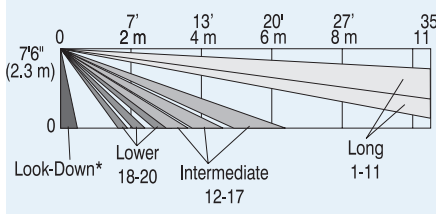
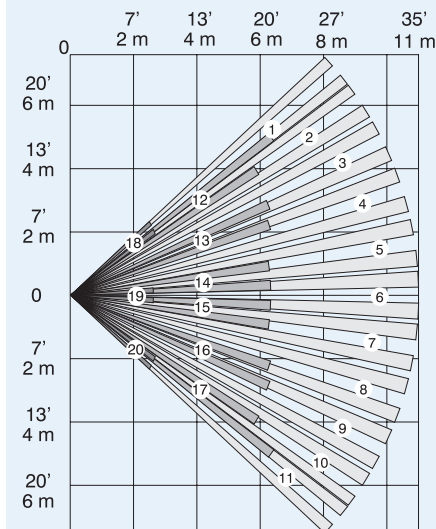
Selectable Pet Immune PIR Detector

IS2535T

- 11m x 12m coverage
- 0, 18 or 36 kg.
- Selectable pet immunity

IS2535TC

- Form C relay
- Alarm memory
- Remote LED enable
- Additional wall tamper



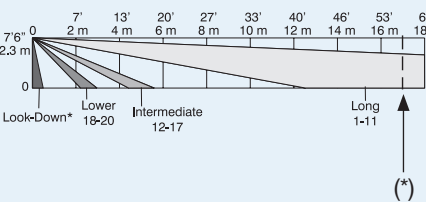
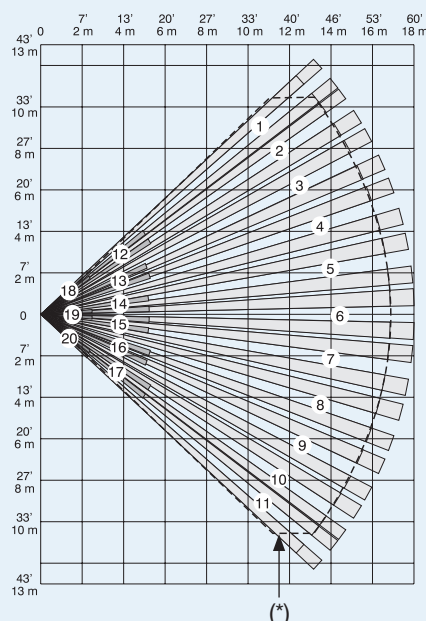
Wide Area PIR Detector

IS2560T

- 18m x 26m coverage (17m x 21m in TS50131-2-2 and T014 installations)

IS2560TC

- Form C relay
- Alarm memory
- Remote LED enable
- Additional wall tamper



*Available accessories Swivel brackets

SMB10



SMB10C



SMB10T

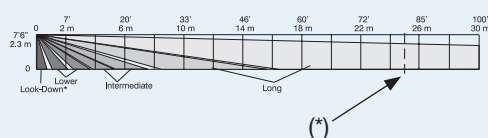
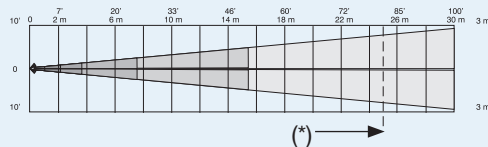


Long Range PIR Detector

IS25100TC

- 30m x 6m coverage (25m x 5m in TS50131-2-2 and T014 installations)

- Form C relay
- Alarm memory
- Additional wall tamper



© 2010 Honeywell International Inc.

IS PIR Series



PIR motion sensor

IS215T

- 12m x 12m coverage
- Form A relay

IS215TQ

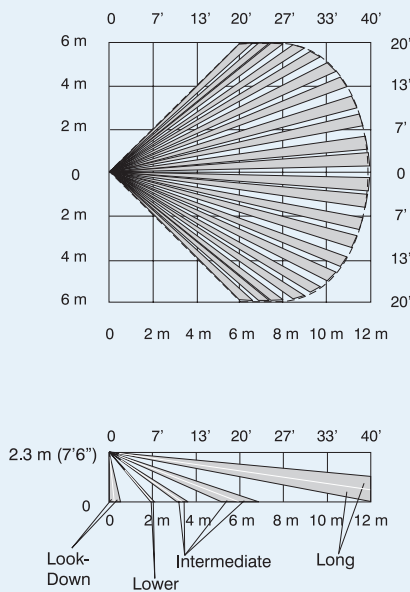
- Quad Motion Technology
- EN 50131-1 and TS50131-2-2 Security Grade 2, Class II

IS215TCE

- Advanced dual slope temperature compensation
- Digital processing
- EN 50131-1 and TS50131-2-2 Security Grade 2, Class II

IS215TCE-MIC

- Advanced dual slope temperature compensation
- Digital processing
- EN 50131-1 and TS50131-2-2
- Built-in microphone



Curtain PIR motion sensor

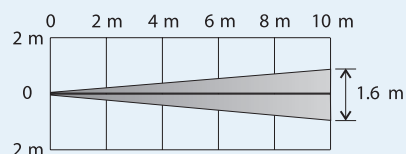
IS216T-CUR

- 10m x 1.60m coverage (vertical wall mount)
- 6m x 1m coverage (horizontal wall mount)
- Form A relay
- Advanced dual slope temperature compensation
- Digital processing
- EN 50131-1 and TS50131-2-2 Security Grade 2, Class II

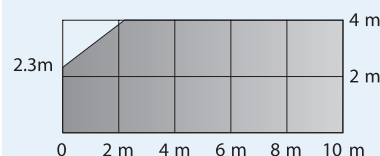
Detection Patterns

Vertical wall mount

Top view

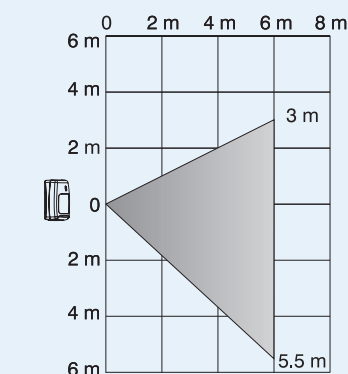


Side view

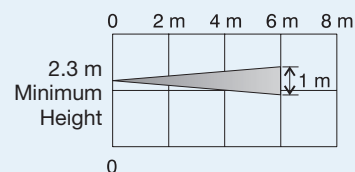


Horizontal wall mount (*)

Top view



Side view



SMB10



SMB10C



SMB10T



Find out more:

Fax : +44 (0) 1698 738300

www.honeywell.com/security/uk

Honeywell Security & Data Collection

Newhouse Industrial Estate

Motherwell, Lanarkshire, ML1 5SB

Scotland

Tel : +44 (0) 1698 738200

www.honeywell.com

HSC-IS2500-03-EN(0609)SB-C
June 2009

© 2009 Honeywell International Inc.

Honeywell