

Linear Valves

M6410C/M7410C	Small Linear Valve Actuator	4
ML6420A / ML7420A	Electric Linear Actuator	5
ML6425 A,B / ML7425A,B	Electric Linear Actuator	6
ML6421A,B / ML7421A,B	Electric Linear Actuator	7
MP953 B,D	Pneumatic Actuator	8
MP953 A,C	Pneumatic Damper Actuator	9
MP904 A,B,C,D	Pneumatic Damper Actuator	10
PP907A	Pressure Reducing Station	11

Linear Valves

V5011R/S	2-Way Large Linear Valve	14
V5049A/B	2-Way Large Linear Valve	15
V5328A	2-Way Large Linear Valve	16
V5016A / V5025A	2-Way Large Linear Valve	17
V5013R/E	3-Way Large Linear Valve	18
V5015A, V5329A/C	3-Way Large Linear Valve	19
V5050A/B	3-Way Large Linear Valve	20
V58...2A, V58...3A/C	2/3-Way Small Linear Valves	21
V5825B	2-Way Small Linear Valve	22
V5872B	2-Way Small Linear Valve	23
	Spare Gaskets for Valve Fittings	24

Rotary Valves & Actuators

M6061A,L	Electric Rotary Actuator	26
DR, DRK, ZR, ZRK	Rotary Valve Linkage	27
DR / ZR	3/4-Way Rotary Valves	28
V5433A,G / V5442A,G	3-Way Compact Rotary Valve	29
DRU / HE	3-Way Rotary Valve	30

Wall Modules

Sets for T7460/T7560/T7270	32
----------------------------	----

Variable-Frequency Drives

Variable Frequency Drives	34
---------------------------	----

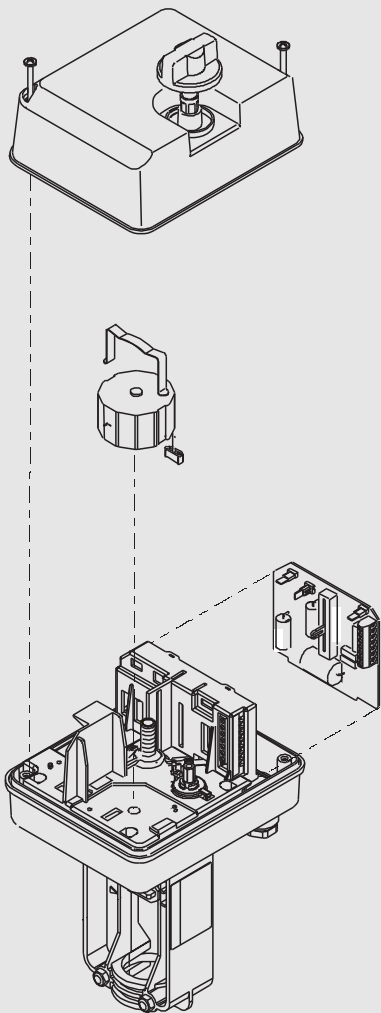
Note: The shown spare parts are partially requiring special tools and expert knowledge while its assembly. There is not given always an instruction which can cause serious difficulties when the spares are wrongly used.

Linear Actuators

Electric Linear Actuators

Pneumatic Actuators

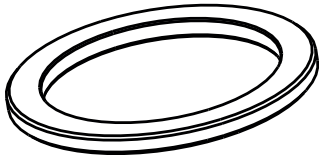
Pneumatic Damper Actuators



M6410C/M7410C

Small Linear Valve Actuator

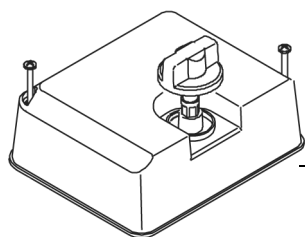
Adapter Ring, 1.5 mm, for use with 8 mm valves.
Order-Number: 0903403



ML6420A / ML7420A

Electric Linear Actuator

Spare Parts

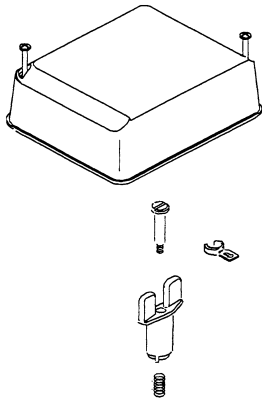


	Honeywell	ML6420				ML7420							
		A3007	A3015	A3023	A3072	A3006	A3014	A3071	A6009	A6017	A6025	A6033	A6041
Description	Order-Number												
Cover	43193811-001	•	•	•		•	•		•	•		•	•
	43193812-001				•			•		•			

ML6425A,B / ML7425A,B

Electric Linear Actuator

Spare Parts

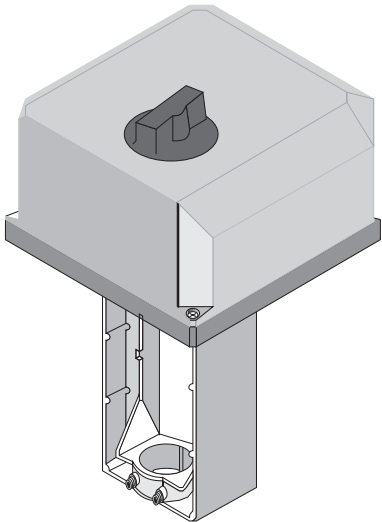


	Honeywell	ML6425					ML7425					
		B3021	A3006	B2015	A3014	B2023	B3005	A3005	B3004	A6008	A6016	B6007
Description	Order-Number											
Cover	43193812-001	•	•		•		•	•	•	•	•	•

ML6421A,B / ML7421A,B

Electric Linear Actuator

Spare Parts

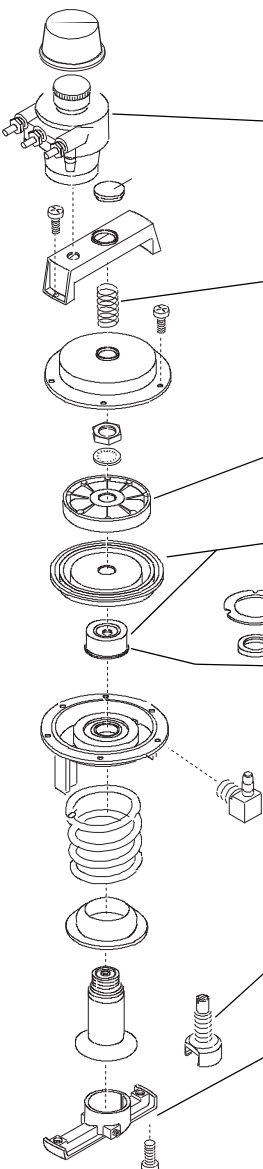


	Honeywell	ML6421				ML7421	
		A3005	A3013	B3004	B3012	A3004	B3003
Description	Order-Number						
Motor Assy.	K43196140-005	•		•		•	•
	K43196140-004		•		•		
Circuit-Board Assy.	K43196130-001	•		•			
	K43196131-001		•		•		

for actuators with DC <4611 both Motor & Circuit-Board Assy. has to be changed

MP953B,D Pneumatic Actuator

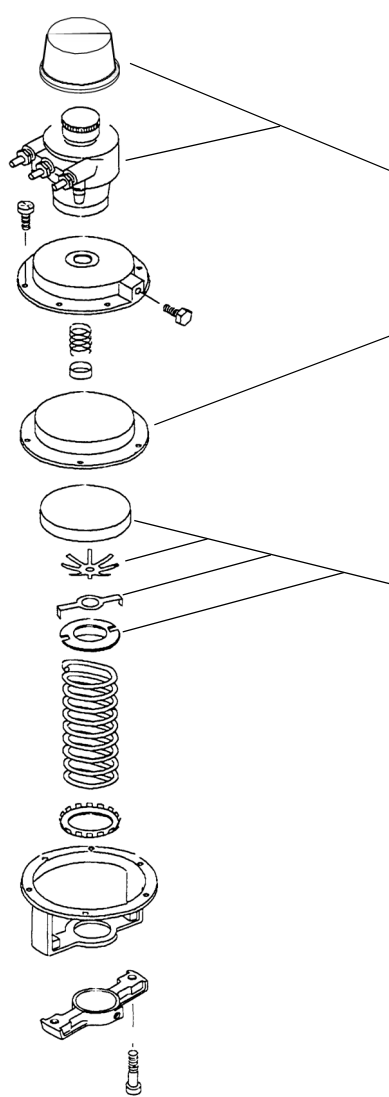
Spare Parts



	Honeywell	MP953		
		B5003	D5009	D5025
Description	Order-Number			
Relay Assy.	K43170625-002	•		
Spring	K43313919-010 (10 pcs)	•		
Cup	S43312199-001	•	•	•
Diaphragm and Sleeve	R43180626-001	•	•	•
Sleeve	R43161322-001	•	•	•
Yoke Assy. incl. Fixing Washers	R43169695-001	•	•	•
Base Assy.	K43165638-001	•	•	•

MP953A,C Pneumatic Damper Actuator

Spare Parts



	Honeywell	MP953												
		A5005	A5039	A5054	C5001	C5019	C5027	C5068	C5076	C5084	C5142	C5159		
Description	Order-Number													
Relay Assy.	K43170625-001	•	•	•										
Diaphragm	R43312760-001	•			•	•	•							
	R43161319-001		•					•	•	•				
	R43161320-001			•								•	•	
Cup Assy.	K43309284-001	•			•	•	•							
	K43311749-001		•					•	•	•				
	K43170643-001			•								•	•	

MP904A,B,C,D Pneumatic Damper Actuator

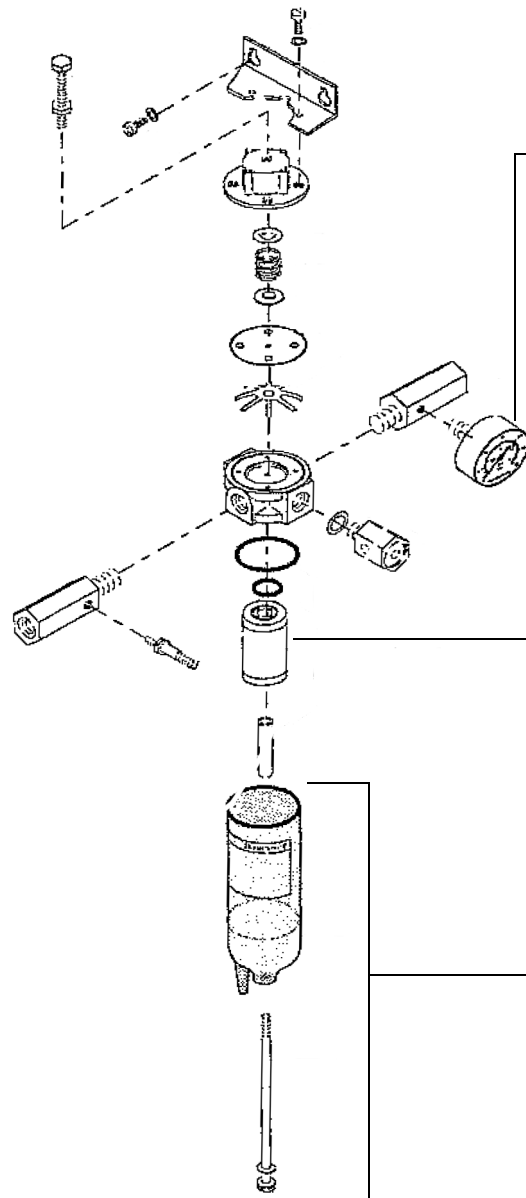
Spare Parts

	Honeywell	MP904									
		A5047	B5037	B5052	C1018	C1026	D1008	D1032	D1040	D1057	
Description	Order-Number										
Relay Assy.	K43170625-003	•			•	•					
	R43313917-001	•	•	•							
	R43175995-001				•	•	•	•	•	•	•

PP907A

Pressure Reducing Station with Sub-Micron-Filter

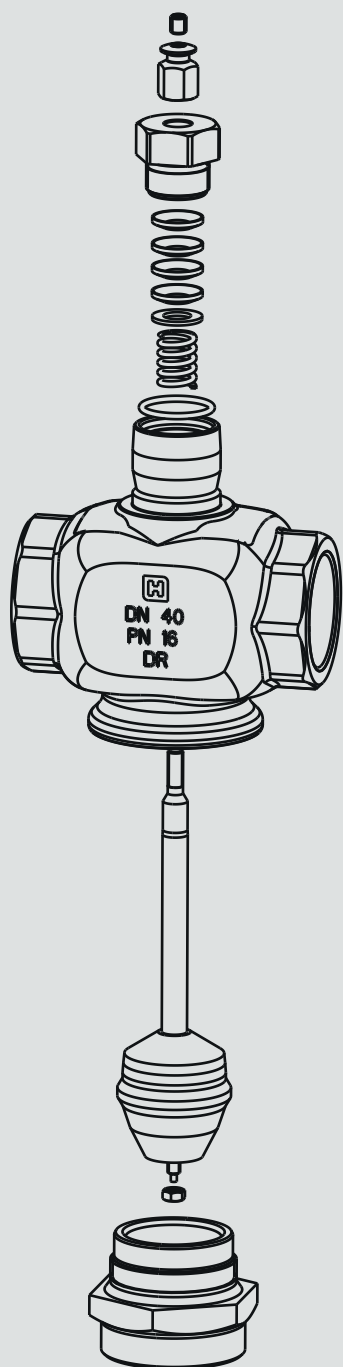
Spare Parts



Description	Order-Number	PP907	
		Honeywell	A1008
Pressure gauge 0...2 bar	43191145-001	•	
Filter-Element Assy.	R43165210-002	•	
Filter Bowl Assy.	K43175081-001	•	

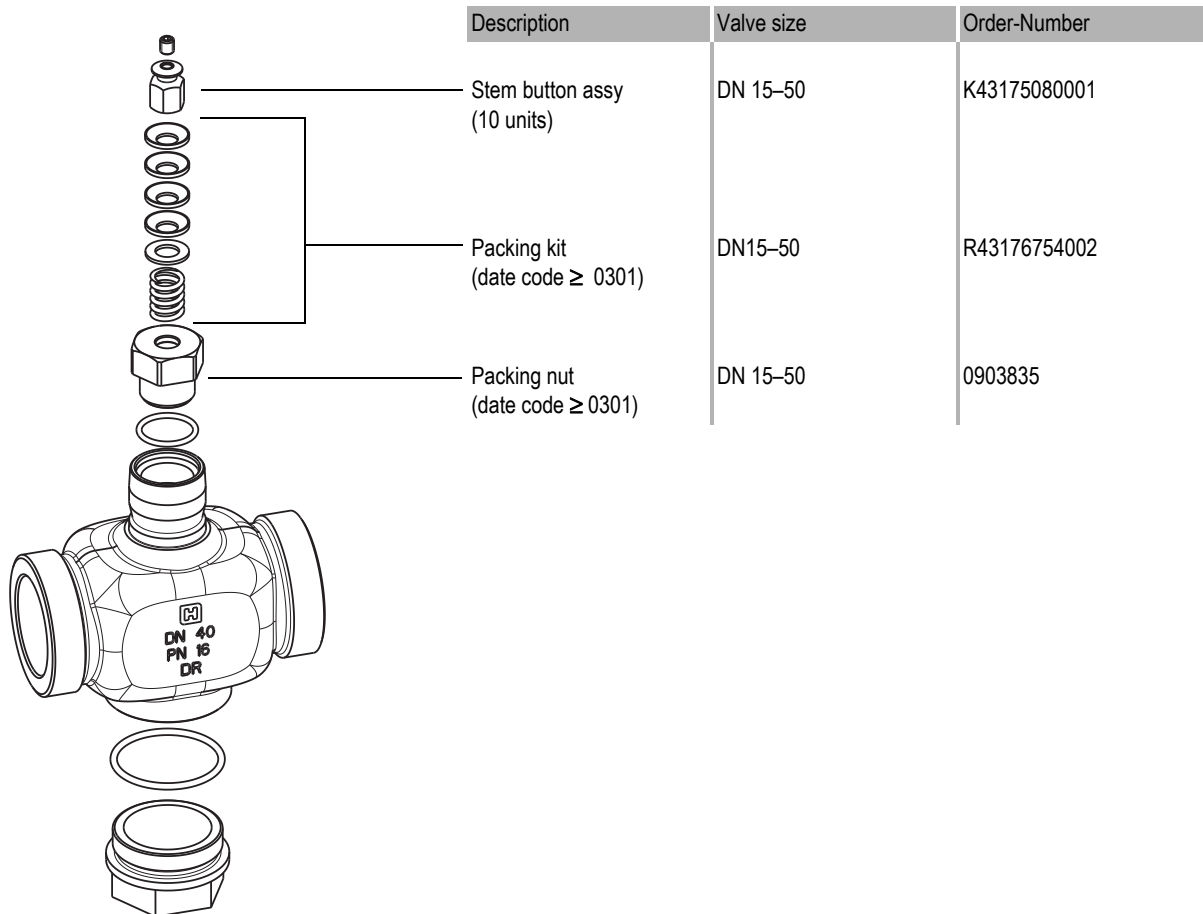
Linear Valves

- 2-Way Large Linear Valves
- 3-Way Large Linear Valves
- 2/3-Way Small Linear Valves
- Accessories



V5011R/S

2-Way Large Linear Valve PN 16



V5049A/B

2-Way Large Linear Valve PN 16/25/40

Spare parts

	Description	Valve size	Order-Number
	Stem button assy (10 units)	DN 15–65	K43175080002
		DN 80–150	K43175080005
	Packing nut	DN 15–65	S43297006001
		DN 80–150	S43297992001
	Packing kit	DN 15–65 (Ø 10 mm)	R43176755004
		DN 80–150 (Ø 16 mm)	R43176755005
	Body gasket (10 units)	DN 40–65	K43188174002
		DN 80–100	K43188174003
		DN 125 and 150	K43188174004
	Plug assembly (valve stem, plug, body gasket, rivet or locking nut)	k_{vs} 25	K43298806001
k_{vs} 40		K43298817001	
k_{vs} 63		K43298824001	
k_{vs} 100		K43298836001	
k_{vs} 160		K43298851001	
k_{vs} 250		K43299007001	
k_{vs} 360		K43299020003	
Seat ring	k_{vs} 63	S43297102001	
	k_{vs} 100 and 160	S43161910001	
	k_{vs} 250 and 360	S43297991001	

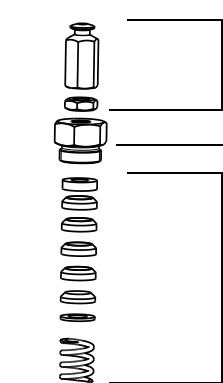
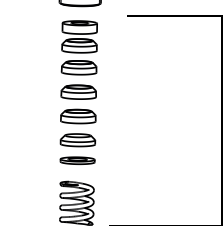
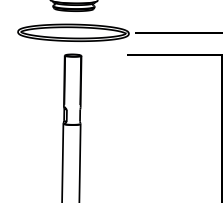
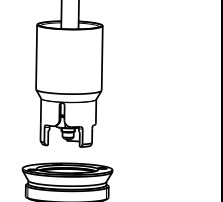
V5328A

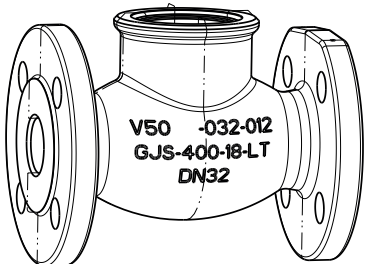
2-Way Large Linear Valve PN 16

Description	Valve size	Order-Number
Stem button assy (10 units)	DN 15–32	K43175080001
	DN 40–80	K43175080002
Packing nut	DN 15–32	S310509D
	DN 40–80	S298562
Packing kit	DN 15–32 (Ø 6.35 mm)	R43176754001
	DN 40–80 (Ø 10 mm)	R43176754002
Bonnet		
Plug assembly (valve stem, plug and O- ring)	k _{vs} 25	K43194032012
	k _{vs} 40	K43194032013
	k _{vs} 63	K43194032014
	k _{vs} 100	K43194032015
	k _{vs} 160	K43194032016
	k _{vs} 250	K43194032017
	k _{vs} 360	K43194032018

V5016A / V5025A

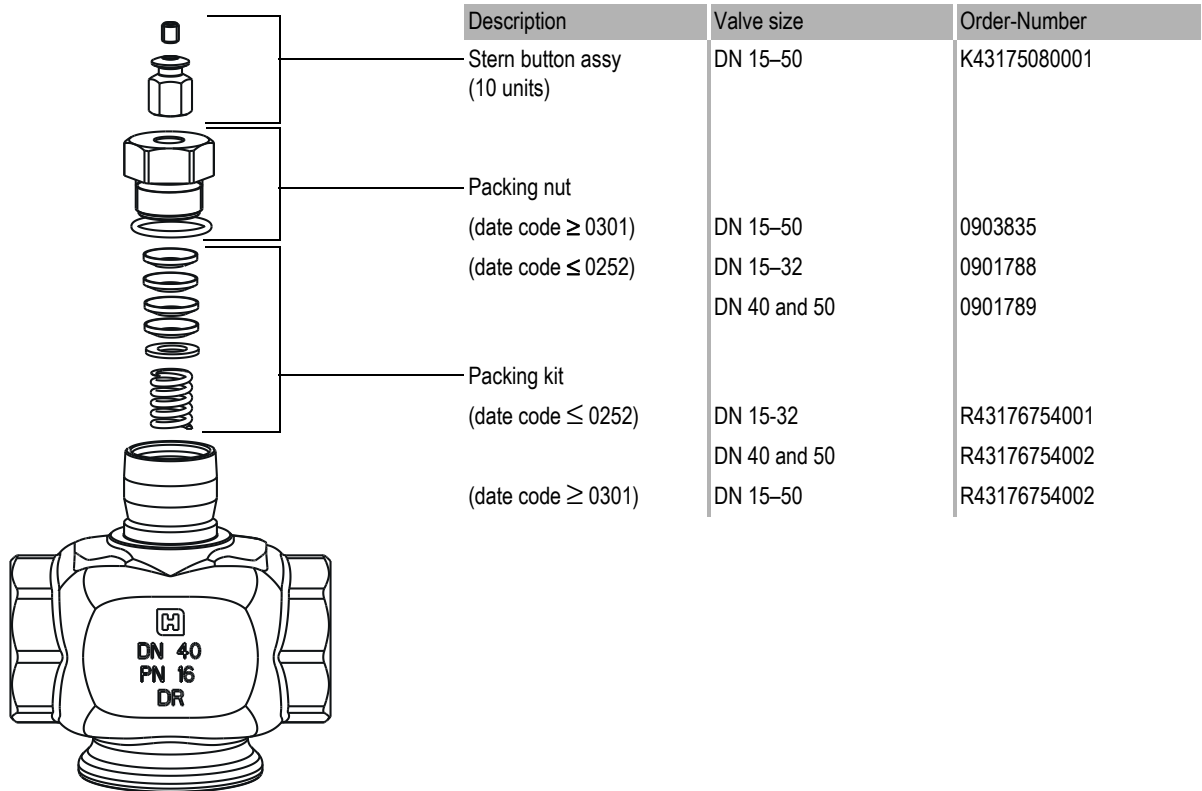
2-Way Large Linear Valve PN 16/25

	Description	Valve size	Order-Number
	Stem button assy (10 units)	DN 15–150	K43175080002
	Packing nut	DN 15–80 DN 100–150	S43297006001 S43297992001
	Packing kit	DN 15–80 (Ø 10 mm)	R43176755004
		DN 100–150 (Ø 16 mm)	R43176755005
	O-ring (10 units DN 40–50) (5 units DN 65–150)	DN 40	0903836
		DN 50	0903846
		DN 65	0903847
		DN 80–100	0903848
		DN 125–150	0903849
			Plug assembly (valve stem, plug, sealing)
k _{VS} 40	0903838		
k _{VS} 63	0903839		
k _{VS} 100	0903840		
k _{VS} 160	0903841		
k _{VS} 250	0903842		
k _{VS} 360	0903843		



V5013R/E


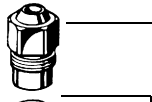
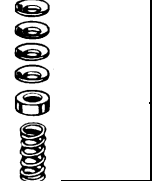
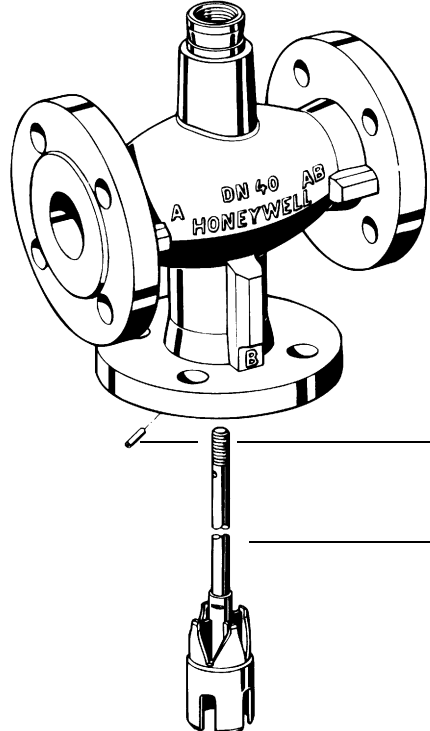
3-Way Large Linear Valve PN 16



V5015A, V5329A/C

3-Way Large Linear Valve PN 16/6

Spare Parts

	Description	Valve size	Order-Number	
	Stem button assy (10 units)	DN 15–32	K43175080001	
		DN 40–80	K43175080002	
		DN 100–150	K43175080006	
	Packing nut	DN 15–32	S310509D	
		DN 40–80	S298562	
		DN 100–150	S297827	
	Packing kit	DN 15–32 (Ø 6.35 mm)	R43176754001	
		DN 40–80 (Ø 10 mm)	R43176754002	
		DN 100–150 (Ø 12 mm)	R43176754005	
	Pin stop plug			
		Plug assembly (valve stem and plug; DN 100–150 also O-ring and rivet)	k_{vs} 25	K43176799015
			k_{vs} 40	K43176799016
			k_{vs} 63	K43176799017
			k_{vs} 100	K43176799018
			k_{vs} 140	K43297819002
			k_{vs} 220	K43297822002
			k_{vs} 310	K43297825002

V5050A/B

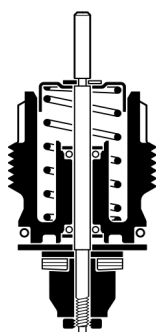
3-Way Large Linear Valve PN 16/25/40

Description	Valve size	Order-Number
Stem button assy (10 units)	DN 15–80	K43175080002
	DN 100–150	K43175080005
Packing nut	DN 15–80	S43297006001
	DN 100–150	S43297992001
Packing kit	DN 15–80 (Ø 10 mm)	R43176755004
	DN 100–150 (Ø16 mm)	R43176755005
Screws (4 pcs)		
Bonnet		
Body gasket (10 units)	DN 15–32	K43188174001
	DN 40–65	K43188174002
	DN 80–100	K43188174003
	DN 125–150	K43188174004
Seat ring	DN 65	S43297102001
	DN 80–100	S43297789001
	DN 125–150	S43297991001
Plug assembly (valve stem, locking nut, body gasket and two plugs)	k _{VS} 25	K43298808001
	k _{VS} 40	K43298819001
	k _{VS} 63	K43298826001
	k _{VS} 100	K298838
	k _{VS} 160	K298853
	k _{VS} 250	K299009
k _{VS} 360	K43299020002	
Seat ring	DN 40	S43298804001
	DN 50	S43298815001
	DN 65	S43298822001
	DN 80–100	S43298834001
	DN 125–150	S43299004001

V58...2A, V58...3A/C

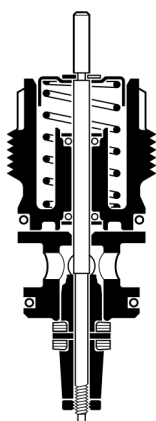
2/3-Way Small Linear Valves
DN 15/20 PN 16

Spare Parts



V5812/22/32/52/62A
2-way valve inserts

k_{vs} value	DN	Order-Number
0.16	15	0902812
0.25	15	0902811
0.40	15	0902810
0.63	15	0902809
1.0	15	0902808
1.6	15	0902807
1.6	15	0902813*
2.5	20	0902814
4.0	20	0902815
2.5	20	0902816*



V5813/23/33/53/63A/C
3-way valve inserts

k_{vs} value	DN	Order-Number
0.25	15	0902821
0.40	15	0902822
0.63	15	0902823
1.0	15	0902824
1.6	15	0902825
1.6	15	0902817*
2.5	20	0902818
2.5	20	0902826* ²
4.0	20	0902819
4.0	20	0902827* ²
2.5	20	0902820*

*on-off version

*² for 180N actuators only

The following valve inserts are interchangeable

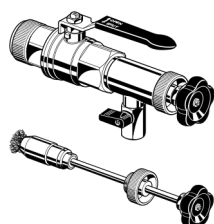
Two-way-valves: k_{vs} 0.16; 0.25; 0.40 and 0.63

k_{vs} 1.0 and 1.6

k_{vs} 2.5 and 4.0

Three-way-valves: k_{vs} 0.25; 0.40; 0.63 and 1.0

k_{vs} 2.5 and 4.0



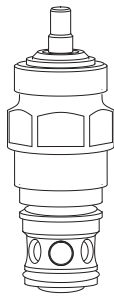
Description	Order-Number
Insert replacement tool	WV108M
Valve seat brush	WV108B

V5825B

2-Way Small Linear Valve

PN 25

Spare Parts



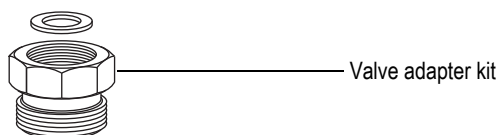
Description	Valve size	Order-Number
Valve insert	k _{vs} 0.25	0903809
	k _{vs} 0.40	0903810
	k _{vs} 0.63	0903811
	k _{vs} 1.0	0903812
	k _{vs} 1.6	0903813
	k _{vs} 2.5	0903814
	k _{vs} 4.0	0903815
	k _{vs} 6.3	0903816
	k _{vs} 10	0903817

V5872B

2-Way Small Linear Valve

PN 16

Spare Parts



The V5872B has been replaced by the V5825B. To adapt it to the same installation dimensions, please use the appropriate valve adapter kit.

See following list:

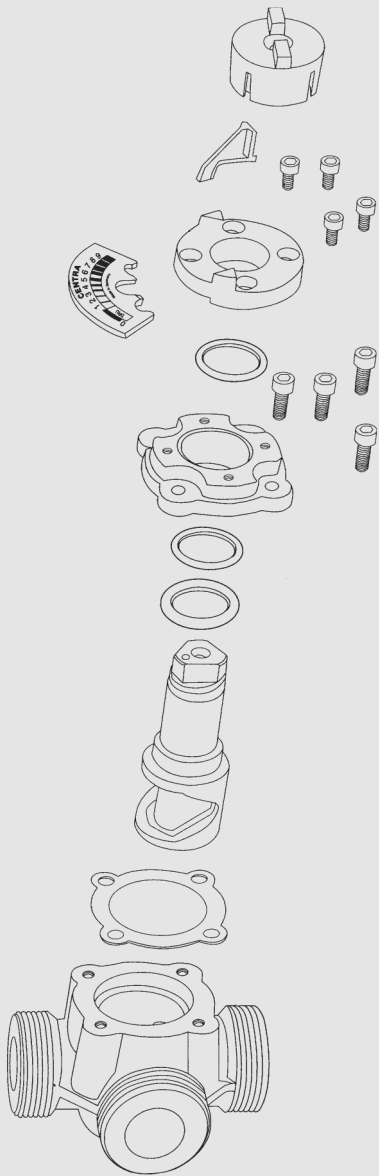
Replaced valve	Replacement	Valve size	Order-Number
V5872B1003	V5825B1001	k_{VS} 0.25	AK15-15
V5872B1011	V5825B1019	k_{VS} 0.40	AK15-15
V5872B1029	V5825B1027	k_{VS} 0.63	AK15-15
V5872B1037	V5825B1035	k_{VS} 1.0	AK15-15
V5872B1045	V5825B1043	k_{VS} 1.6	AK15-15
V5872B1052	V5825B1050	k_{VS} 2.5	AK20-15
V5872B1060	V5825B1068	k_{VS} 4.0	AK20-15
V5872B1078	V5825B1076	k_{VS} 6.3	AK25-25
V5872B1086	V5825B1084	k_{VS} 10	n.a.

Spare Gaskets for Valve Fittings

Used in fittings	DN	Ø _{INNER} (mm)	Ø _{OUTER} (mm)	thickness (mm)	Gasket order-no.	pcs.
AC-15FT, AC-15FS	15	13.2	18	1.5	2166600	1
AC-20FT, AC-20FS, ACS-15T, ACS-15W, AK15-15, AK20-15	20	18	24	2	0901443	10
AC15TF	15	20	34	2	n.a.	n.a.
AC-20TF, ACS-25T, ACS 25W, AK20-25, AK25-25	20	28	39	2	5351300	1
AC-25TF, AC-25T	25	28	44	2	5166300	1
AC-32TF, AC-32T	32	42	56.7	2	901447	10
AC-40TF, AC-40T	40	46	62	2	5163000	1
AC-50TF	50	60	78	2	5163100	1

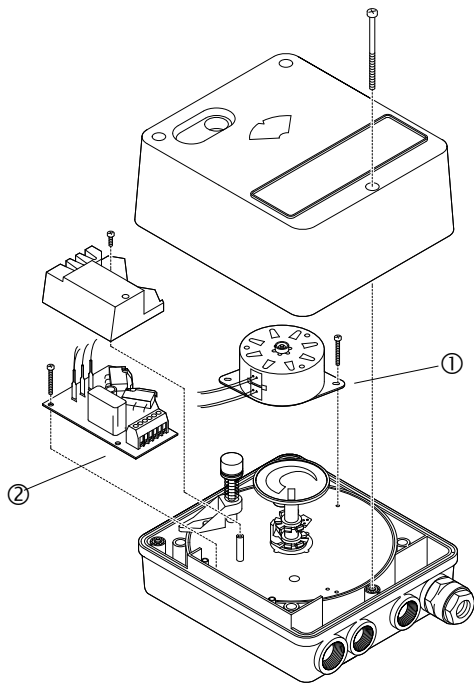
Rotary Valves & Actuators

Electric Rotary Actuators
Rotary Valves



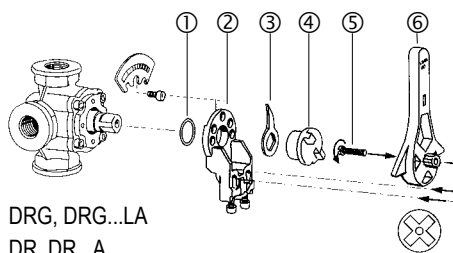
M6061A,L Electric Rotary Actuator

Spare Parts

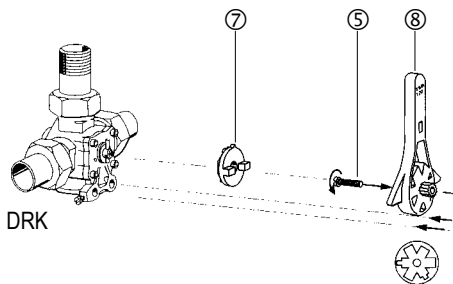


Description	Order-Number	M6061								
		Honeywell	A1013	A1021	A1039	A1047	L1019	L1027	L1035	L1043
① Synchronous motor 230 V for M6061L	030000345						•	•	•	
Synchronous motor 24 V for M6061A	030000432		•	•	•					
	030000531					•				
② PCB 230 V for M6061L	030000346						•	•	•	•
PCB 24 V for M6061A	030000433		•	•	•					
	030000498					•				

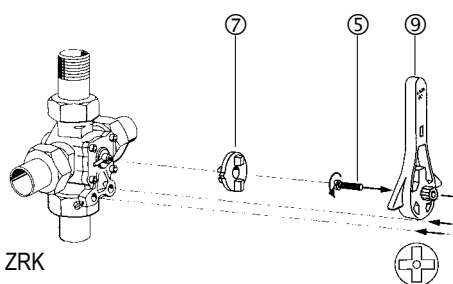
DR, DRK / ZR, ZRK Rotary Valve Linkage



Type: DRG, DRG...LA
DR, DR...A
DR, ZR...A



Type: DRK

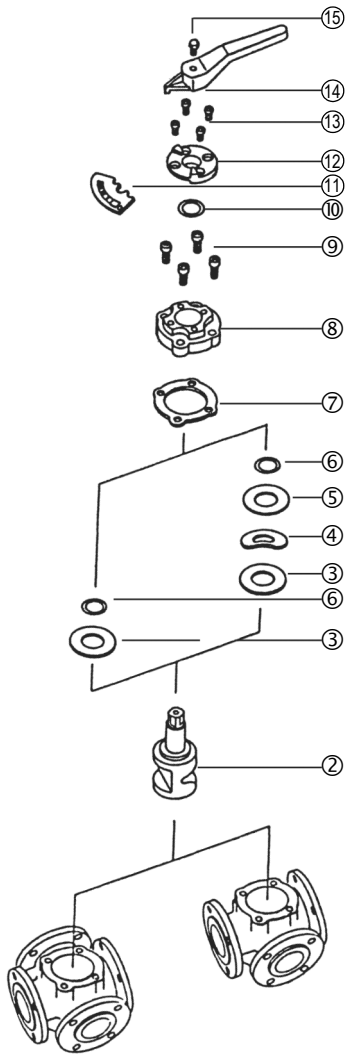


Type: ZRK

Description	Order-Number	
Pointer for valves up to DN 65	030000175	③
Mounting set for Universal 3 or 4 way mixing valves DR, ZR:		
M6061 Mounting Set	ATK2040A	① ② ③ ④ ⑤ ⑥
Mounting plate	030000302	②
Handle	030000518	⑥
Coupling	030000526	④
Mounting set for compact 3-way mixing valves DRK:		
M6061 Mounting set	030000406	⑤ ⑦ ⑧
Handle	030000516	⑧
Coupling	030000525	⑦
Mounting set for 4-way compact mixing valves ZRK:		
M6061 Mounting set	030000407	⑤ ⑦ ⑨
Handle	030000517	⑨
Coupling	030000525	⑦

DR / ZR 3/4-Way Rotary Valves

Spare Parts
(from Datecode 1988)

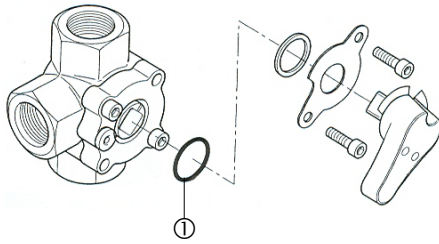


Description	Order-Number	
Complete sealing package including lock and pressure washers		
DN 15-40	019001030	③ ④ ⑤ ⑥ ⑦ ⑩
DN 50-65	019001040	
DN 80-100	019001050	
DN 125-200	019001060	③ ④ ⑤ ⑥ ⑦ ⑩
O-ring-seal complete with screws	030000114	⑫
O-ring for O-ring-sealing (ca. 25/32 mm)	071099535	⑩
Valve sealing (complete with O-ring seal, O-ring and screws)		③ ④ ⑤ ⑥ ⑦ ⑧ ⑨ ⑩ ⑫ ⑬
DN 15-25	030000105	
DN 32-40	030000106	
DN 50-65	030000107	
DN 80-100	030000108	
DN 125-200/I	030000392	
Plug ZR		②
DN 15	030000110	
DN 20	030000110	
DN 25	030000111	
DN 32	030000112	
DN 40	030000113	
DN 50	030000162	
DN 65	030000164	
DN 80	030000165	
DN 100	030000168	
DN 125/I	030000388	
DN 150/I	030000390	
DN 200/I	030000391	
Plug DR...G		②
DN 15 (DR15-2 GMLA)	030000404	
DN 15 (DR15-4 GMLA)	030000099	
DN 20	030000099	
DN 25	030000121	
DN 32/40	030000100	
DN 50	030000101	
DN 65	030000102	
DN 80	030000103	
DN 100	030000104	
DN 125/I	030000387	
DN 150/I	030000389	
DN 200/I	030000496	
Handle kit (complete with screw)		⑭ ⑮
DN 15-65	030000115	
DN 80-200	030000098	
Scale		⑪
ZR 80-200	030000120	
DR 15-65	030000117	
DR 80-125	030000123	
DRG - L-R 15-65	030000116	

V5433A,G / V5442A,G

3-Way Compact Rotary Valve

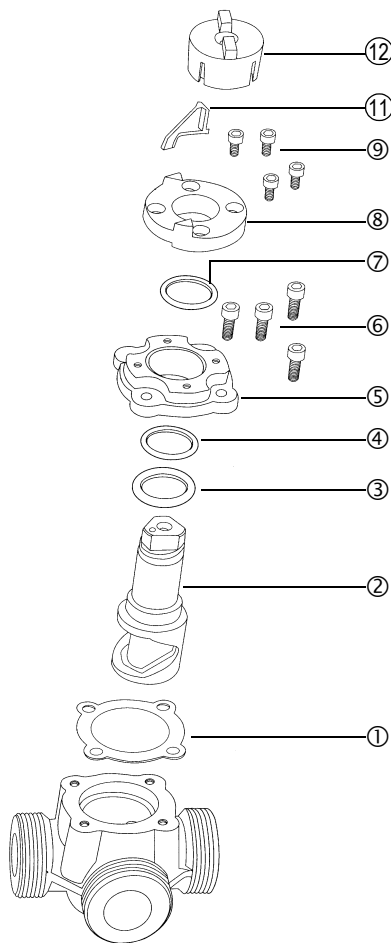
PN 6



Description	Order-Number	
Seal assembly for V5433A,G DN20...32 V5442A,G DN20...32	071161036	①
Seal assembly for V5433A,G DN40...50	071161037	①

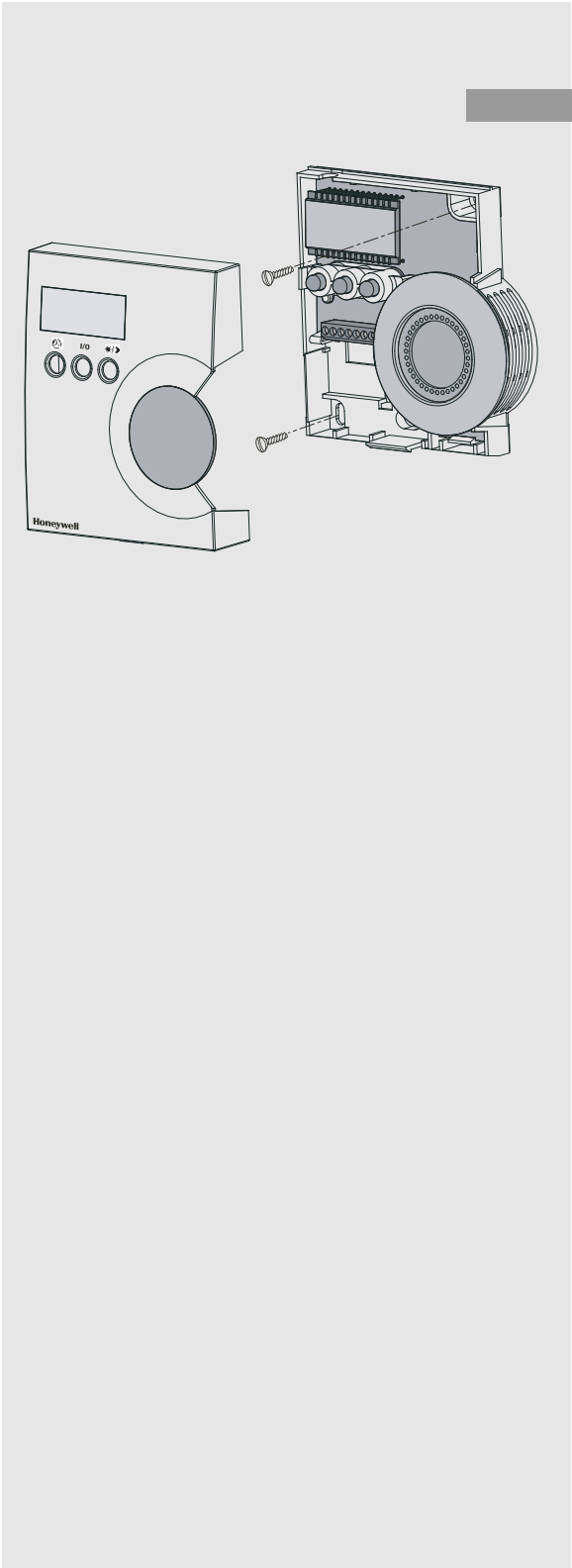
DRU / HE 3-Way Rotary Valve PN 10

Spare Parts



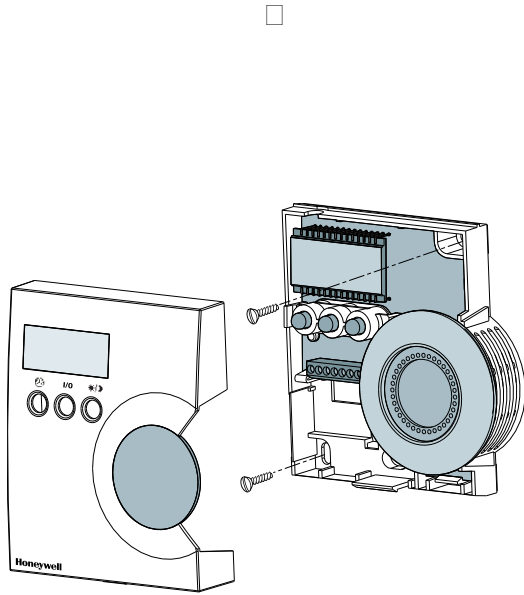
Description	Order-Number	
Plug		②
DRU 25 - 2.5	030000434	
DRU 25 - 4.0	030000435	
DRU 25 - 6.3	030000436	
DRU 25 - 10	030000437	
DRU 32 - 10	030000439	
DRU 32 - 16	030000440	
DRU 32 - 25	030000441	
Internal threaded socket with gaskets and cap nut, DRU25, HE25	STU25	
Internal threaded socket with gaskets and cap nut, DRU32, HE32	STU32	
Welding socket with gaskets and cap nut, DN 25	WTU25	
Welding socket with gaskets and cap nut, DN 32	WTU32	
Soldering socket with gaskets and cap nut, DN 25	LSU25-18	
Soldering socket with gaskets and cap nut, DN 25	LSU25-22	
Soldering socket with gaskets and cap nut, DN 25	LSU25-28	
Soldering socket with gaskets and cap nut, DN 32	LSU32-22	
Soldering socket with gaskets and cap nut, DN 32	LSU32-28	
Bonnet package		① ③ ④ ⑤ ⑥ ⑦ ⑧ ⑨
O-ring seal with O-ring and screws		
DRU 25	030000105	
DRU 32	030000106	
Pointer DRU 25 / 32	030000443	⑪
Sealing package	019001030	① ③ ④ ⑦ ⑧
O-ring seal with screws	030000114	⑧ ⑨
O-ring for ring seal	071099535	⑦
DRU package	030000522	⑧ ⑪ ⑫

Wall Modules



Sets for T7460/T7560/T7270/C7110D

Spare Parts



incl. blue 12/30 white 12/30

	Honeywell	T7460	T7560	T7270	C7110
Description	Order-Number				
Round knob, blue	WMSPS-3	•	•	•	•
Round knob, white	WMSPS-4	•	•	•	•
Setpoint wheel, unprinted, blue	WMSPS-5		•	•	
Setpoint wheel, unprinted, white	WMSPS-6		•		
Setpoint wheel, printed with ±5K scale, blue T7460B to F	WMSPS-8	•			
Blind cover instead setpoint wheel, blue	WMSPS-1		•	•	•
Blind cover instead setpoint wheel, white	WMSPS-2	•	•		•
Setpoint pack Includes following parts: blue 12/30 disc white +-5 & 12/30 disc white round knob	WMSPS-9	•			
Fanspeed knob T7460D,E,F	WMSPS-10	•			
Occupancy pushbutton T7460C,E,F	WMSPS-11	•			
Blind cover for pushbuttons, bulk pack of 50 units for T7270/T7460/T7560	T7560BLINDS		•	•	∅ 7mm

Variable-Frequency Drives

Variable-Frequency Drives

NXL HVAC

NXS

SmartDrive HVAC – HVAC400

Spare Parts

Spare parts NXL / NXS

Order Number	Description
NX-FAN-4	Main fan assembly for NXL HVAC/NXS size 4 (HVAC03-HVAC12 & NXS0003-NXS0012)
NX-FAN-5	Main fan assembly for NXL HVAC/NXS size 5 (HVAC16-HVAC31 & NXS0016-NXS0031)
NX-FAN-6	Main fan assembly for NXL HVAC/NXS size 6 (HVAC38-HVAC61 & NXS0038-NXS0061)
NXLPANC	NXL keypad (standard 7-segment)
NXLOPTAI	HVAC I/O spare (3DI, 1 Relay (NO), 1 Thermistor input)

Spare parts NXS

Order Number	Description
NX-FAN-7	Main fan assembly for NXS size 7 (NXS0072-NXS0105)
NXPANA	NXS keypad (alphanumeric)
NXPANG	NXS keypad 2 (special keypad for Chinese & Cyrillic letters)
NXOPTA1	NXS I/O spare for slot A (6DI, 1DO, 2AI, 1AO)
NXOPTA3	NXS I/O spare for slot B (1 relays NO, 1 relays NO/NC, 1 thermistor input)
NXOPTA2	NXS option board for slot B to replace standard board (2 relays NO/NC)
NXOPTA8	NXS option board for slot A to replace standard board (NXOPTA1 with isolated AI/AO)

Spare parts SmartDrive HVAC

Order Number	Description
HVAC-FAN-4	Main fan assembly for SmartDrive HVAC size 4 (HVAC400-1p1...HVAC400-5P5)
HVAC-FAN-5	Main fan assembly for SmartDrive HVAC size 5 (HVAC400-7P5...HVAC400-15P)
HVAC-FAN-6	Main fan assembly for SmartDrive HVAC size 6 (HVAC400-18P...HVAC400-30P)
HVAC-FAN-7	Main fan assembly for SmartDrive HVAC size 7 (HVAC400-37P...HVAC400-55P)
HVAC-FAN-8	Main fan assembly for SmartDrive HVAC size 8 (HVAC400-75P...HVAC400-110P)
HVAC-FAN-9	Main fan assembly for SmartDrive HVAC size 9 (HVAC400-132P...HVAC400-160P)
HVAC-IP54FAN-FR04	Internal IP54 Fan for HVAC VFD FR04
HVAC-IP54FAN-FR05	Internal IP54 Fan for HVAC VFD FR05
HVAC-IP54FAN-FR06	Internal IP54 Fan for HVAC VFD FR06
HVAC-IP54FAN-FR07	Internal IP54 Fan for HVAC VFD FR07
HVAC-IP54FAN-FR08	Internal IP54 Fan for HVAC VFD FR08
HVAC-IP54FAN-FR09	Internal IP54 Fan for HVAC VFD FR09
HVAC-CONTROL	SmartDrive HVAC Spare part kit: Control board module
HVAC-TERM-KIT	SmartDrive HVAC Spare part kit: Control terminals
OPT-BT-MC02-5	SmartDrive HVAC Spare part kit: 5 pcs real time clock batteries

Automation and Control Solutions

Honeywell GmbH
Böblinger Strasse 17
71101 Schönaich
Phone (49) 7031 637 01
Fax (49) 7031 637 740
<http://ecc.emea.honeywell.com>

EN3B-0298GE51 R0818
August 2018
© 2018 Honeywell International Inc.

Honeywell