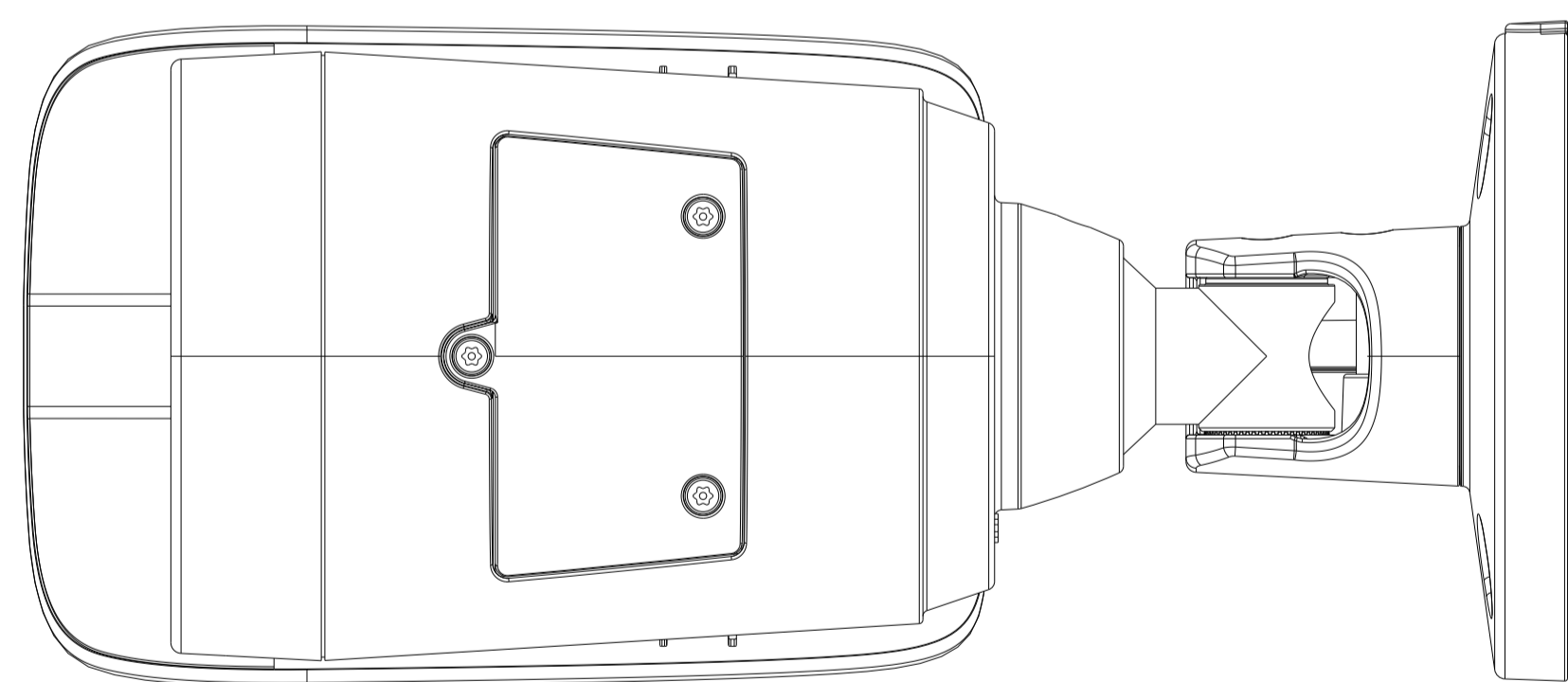
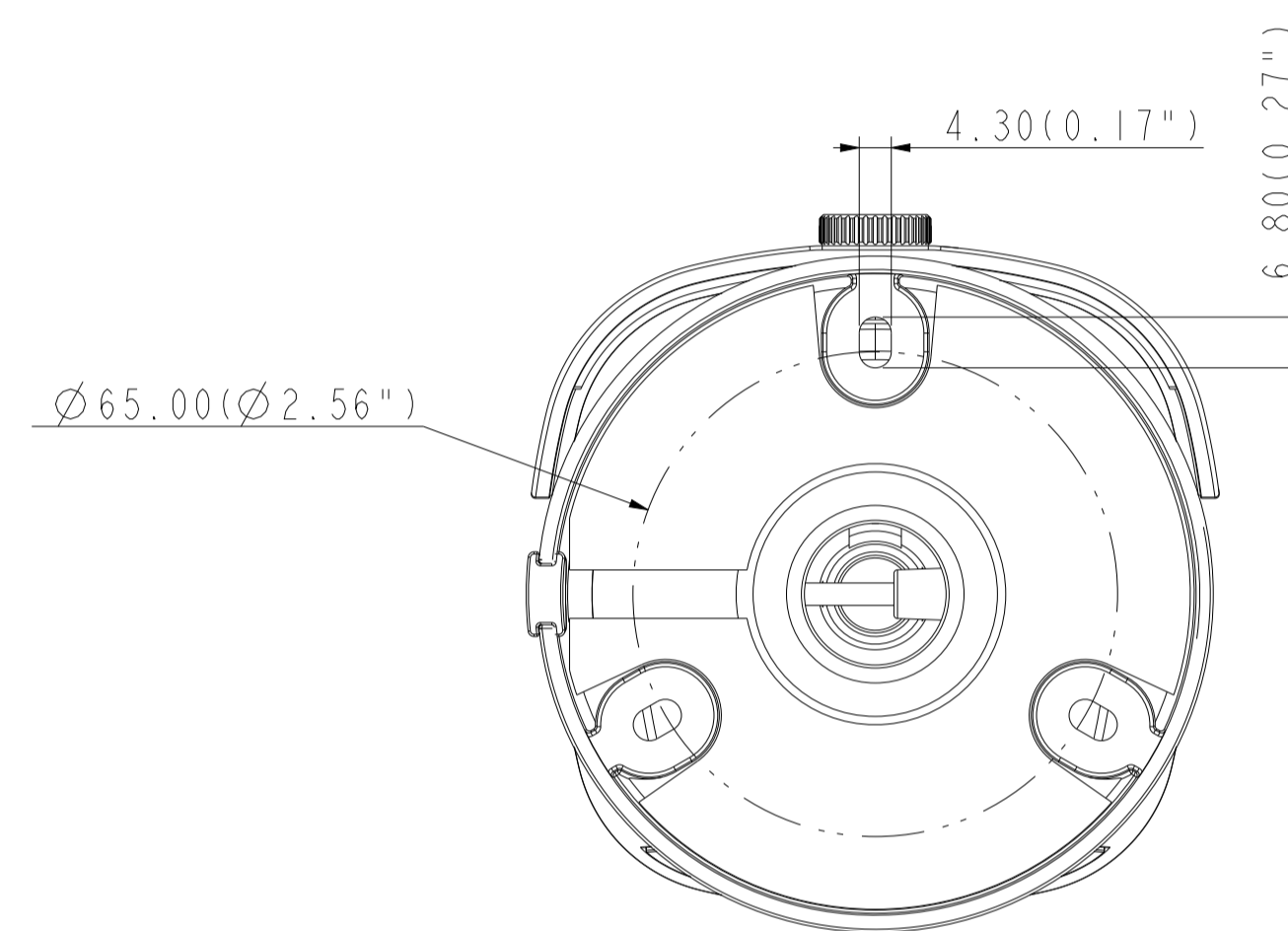
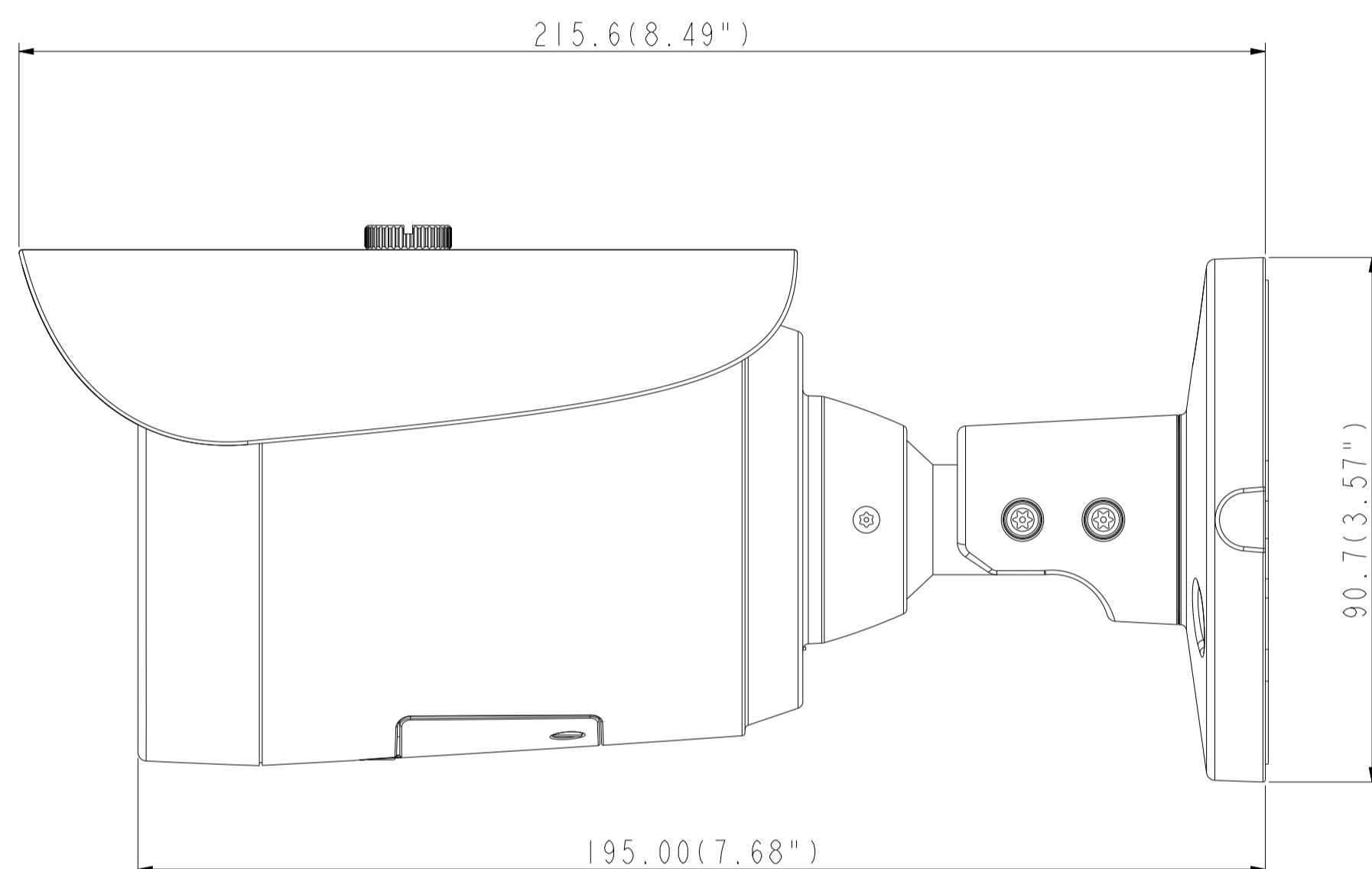
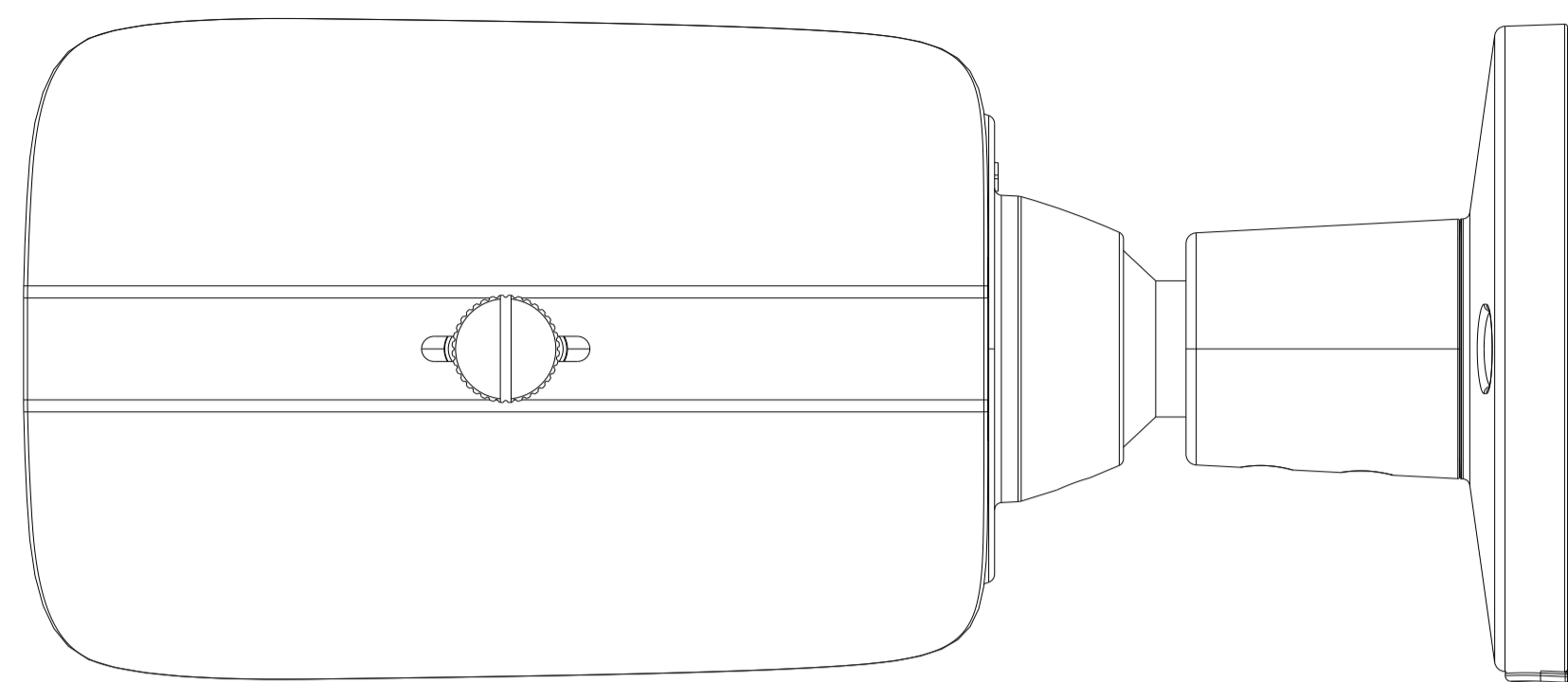
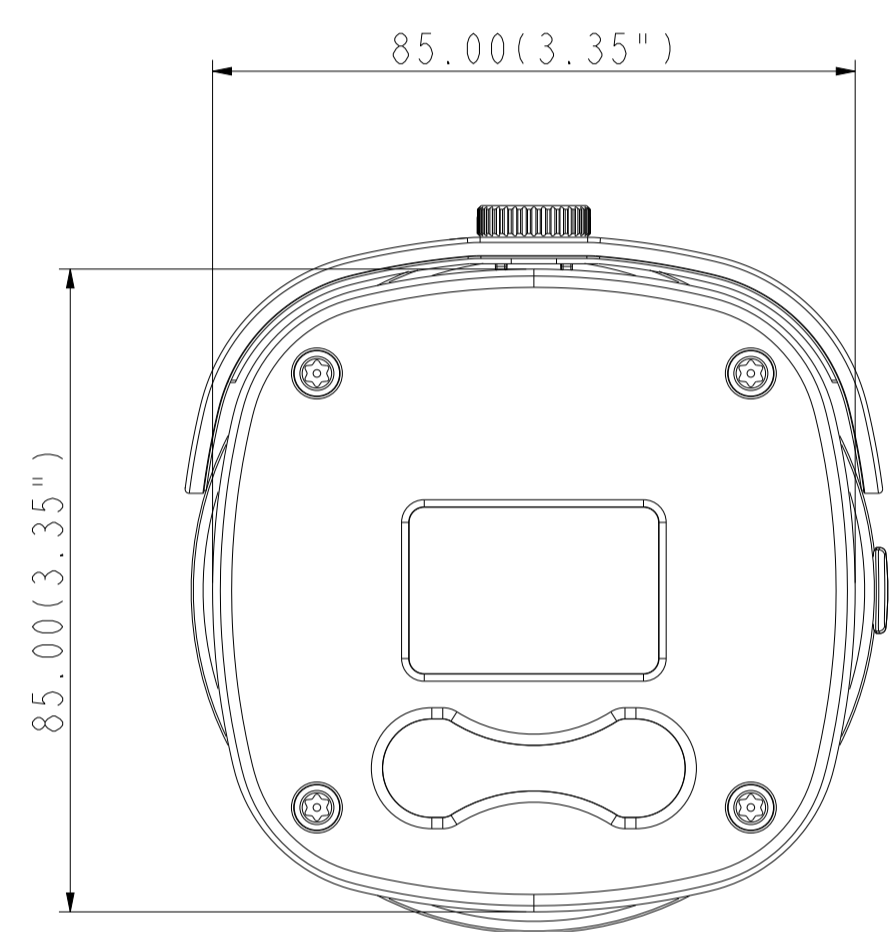


機密 | CONFIDENTIAL

REVISIONS

REV	DESCRIPTION	ENGINEER	REQUIRE	DATE
A	New Edition	Coris		190102
B	Update	Coris		190605



UNLESS OTHERWISE SPECIFIED  
ALL DIMENSIONS ARE IN mm

TOLERANCE ON:  
 LINEAR : <30 ±0.10  
 30-50 ±0.15  
 50-100 ±0.18  
 100-200 ±0.20  
 200-300 ±0.25  
 >300 ±0.30

ANGULAR: X ±1°  
 X.X ±0.5°

Honeywell Security

THIS DRAWING ON THIS PRINT AND INFORMATION  
THEREWITH ARE PROPRIETARY TO VIVOTEK INC.  
AND SHALL NOT BE USED OR DISCUSSED IN WHOLE  
OR IN PART WITHOUT VIVOTEK'S CONSENT.

2D\_Drawing\_HC30WB5R2

PART NO.

ENGR		MODEL	HC30WB5R2		
DRN		DRAWING TITLE			
CHK		DRAWING NO.			
APRV	Arway	ISSUE DATE	Nov-26-18	REVISION	1.0
M'TL		SCALE	1.000	UNIT	mm
FINISH	3 angle projection	SIZE	A1	SHEET	1 OF 1