



SK-MONITOR-2

Addressable Dual Monitor Module

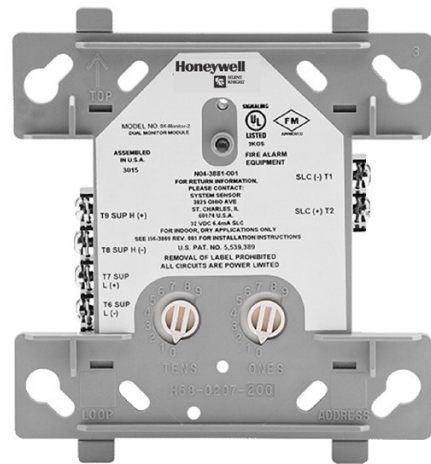
The SK-MONITOR-2 module is capable of monitoring two separate Class B circuits simultaneously, making it ideal for waterflow tamper switch and flow switch monitoring.

The SK-MONITOR-2 is an addressable monitor module with two initiating circuits for use with Honeywell Silent Knight series fire alarm control panels (FACPs). The SK-MONITOR-2 acts as an interface to contact devices, such as waterflow switches and pull stations.

The SK-MONITOR-2 supports Class B supervised wiring to the load device. Conventional 4-wire smoke detectors can be monitored for alarm and trouble conditions..

INSTALLATION

SK-MONITOR-2 mounts directly into a 4" square electrical box. The box must have a minimum depth of 2-1/8". A surface mount electrical box (System Sensor® part number SMB500) is available from Silent Knight.



SK-MONITOR-2

FEATURES & BENEFITS

- Monitor two circuits, with unique addresses, simultaneously
- Support for Class B wiring
- Fully supervised
- Panel controlled status LED that flashes green in normal state and is solid red in alarm
- Attractive ivory cover plate
- Rotary address switches for fast installation
- SEMS screws for easy wiring

SK-MONITOR-2 Technical Specifications

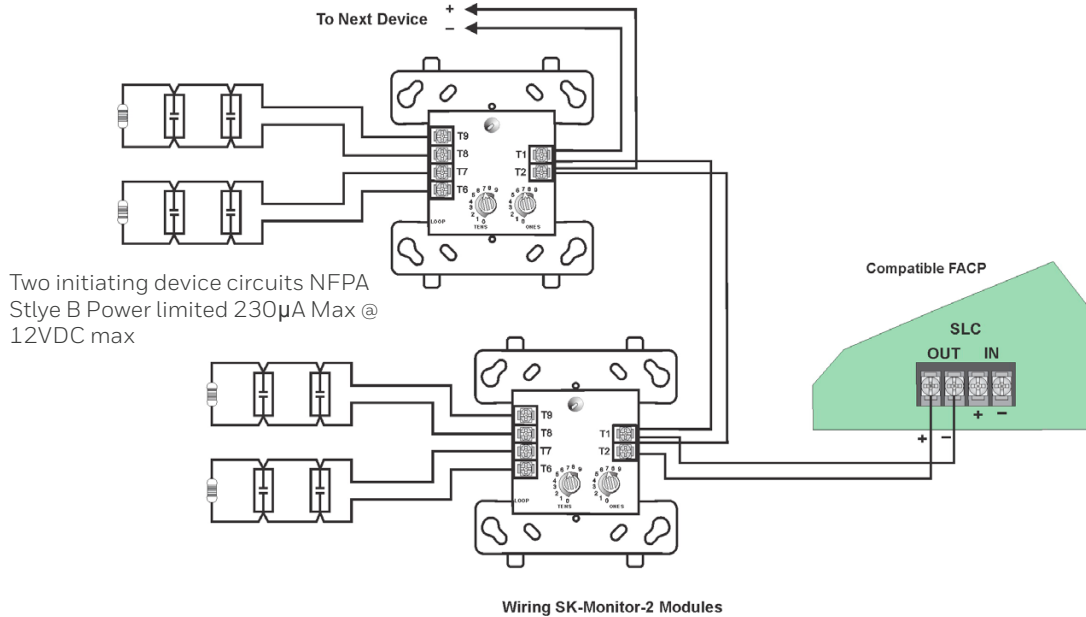
For a complete listing of all compliance approvals and certifications, please visit www.silentknight.com.

Microsoft, Windows, and the Windows Logo are registered trademarks or trademarks of Microsoft Corporation.

Silent Knight®, System Sensor® and Honeywell® are registered trademarks of Honeywell International, Inc.

This document is not intended to be used for installation purposes. We try to keep our product information up-to date and accurate. We cannot cover all specific applications or anticipate all requirements. All specifications are subject to change without notice.

For Technical Support, call 800-446-6444.



PHYSICAL

Height: 4.5" H x 4" W x 1.25" D
Shipping Weight: 6.3 oz (196 g)

ELECTRICAL

Operating Voltage: 15 – 32 VDC
Standby and Alarm Current: 750µA max @ 24VDC (one communication every 5 sec with 47K EOL)
End-of-Line Resistance: 47KΩ

ENVIRONMENTAL

Operating Temperature: 32°F – 120°F (0°C – 49°C)
Humidity: 10% – 93% non-condensing

ORDERING INFORMATION

SK-Monitor-2: Dual Monitoring Module

ACCESSORIES

SMB500: 4" Square Surface Mount Electrical Box

AGENCY LISTINGS AND APPROVALS

UL Listed
 CSFM Approved
 City of New York Approved

COMPATIBILITY

The SK-MONITOR-2 is compatible with the following Honeywell Silent Knight fire alarm control panels:

- 6820:** Addressable fire alarm control panel
- 6820EVS:** Addressable fire alarm control panel with an emergency mass notification system.
- 6808:** Addressable fire alarm control panel
- 6700:** Addressable fire alarm control panel
- 5700:** Addressable fire alarm control panel
- 5808:** Addressable fire alarm control panel
- 5820XL:** Addressable fire alarm control panel
- 5820XL-EVS:** Addressable fire alarm control panel with an emergency mass notification system.

For more information

Learn more about Honeywell Silent Knight and other products by visiting www.silentknight.com

Honeywell Silent Knight

12 Clintonville Road
 Northford, CT 06472
 800-328-0103