

Honeywell

THE T7080A ELECTRONIC THERMOSTAT AND T7080B TRANSMITTER CONTROL SPACE TEMPERATURE WHEN EMPLOYED AS A REPLACEMENT FOR THE RANCO TR3 AND TR4 TRANSMITTER, OR WHEN APPLIED WITH THE HONEYWELL W7080 LOAD ANALYZER MULTIZONE CONTROL SYSTEM.

T7080 Thermostat and C7100B Discharge Air Sensor provide the benefit of dual set point through simple replacement of the Ranco single set point thermostat and discharge sensor.

T7080A Electronic Thermostat has an integral thermistor space temperature sensor.

T7080B Transmitter is designed for use with a C7100B or T7047C1082 Remote Temperature Sensor.

A single 2 to 22 Vdc voltage ramp provides both heating and cooling thermostat signals to the Ranco EA3 Load Analyzer Module or to the Honeywell W7080A Load Analyzer, W7084A Zone Adder and optional W7082A Integrating Analyzer.

Separate heating and cooling set point adjustment levers on all models.

Deadband adjustable from 3 F to 30 F [1.7 C to 17.0 C].

Locking set point adjustment levers are concealed under device cover.

24 Vdc power to T7080 is provided by the Ranco EA3 Load Analyzer Module or the Honeywell W7080A Load Analyzer.

Temperature anticipation sensing provided to system by C7100B or C7046B Discharge Air Sensor.

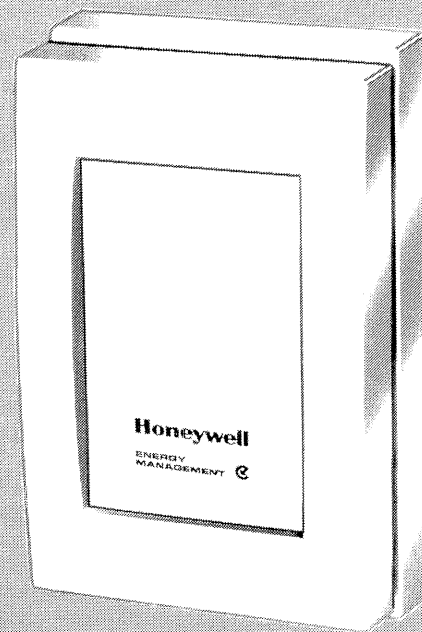
Thermostat mounts on standard 2 x 4 in. outlet box or on a nonconductive flat surface.

Meets ASHRAE 90-75 guidelines.

Model available to meet United States Department of Defense Standards.

All models include wiring plate.

ELECTRONIC THERMOSTAT AND TRANSMITTER



T7080A,B

SPECIFICATIONS

MODELS:

T7080A Electronic Thermostat and T7080B Transmitter for use as replacement^a for the Ranco TR3 and TR4 thermostat/transmitters, and for use with the Honeywell W7080A Load Analyzer. Dual set point adjustment levers are concealed under the device cover.

^aDischarge Air Sensor must be replaced at the same time with C7100B Discharge Air Sensor.

T7080A Electronic Thermostat—has an integral thermistor sensor for space temperature.

T7080B Transmitter—no space temperature sensor included; designed for use with C7100B or T7047C1082 Remote Return Air Temperature Sensor (order separately; see Accessories).

ELECTRICAL RATINGS:

Voltage—24 Vdc from Ranco EA3 Load Analyzer Module or Honeywell W7080A Load Analyzer.

Current Draw—4 mA or 0.004A.

AMBIENT TEMPERATURE RANGE: Minus 40 F to plus 150 F [minus 40 C to plus 66 C].

SET POINT ADJUSTMENT RANGE: 55 F to 85 F [13 C to 29 C].

HEATING-COOLING DEADBAND:

Minimum—3 F [1.7 C], with set point levers together.

Maximum—30 F [17.0 C], with set point levers at opposite ends of scale.

OUTPUT SIGNALS: 2 to 22 Vdc signal to the Ranco EA3 Load Analyzer Module or the Honeywell W7080A Load Analyzer. The signal is a single heating/cooling voltage ramp, displaced at the set points by the width of the deadband. The same signal goes to the zone damper control motor. If the system has more than 12 zones, the signal from the 13th through 24th zones will go to the W7084A Adder or the Ranco Zone Adder.

MOUNTING: Mounts on standard vertical 2 x 4 in. outlet box or any nonconductive flat surface. Two No. 6-32 UNC, 5/8 in. [15.9 mm] screws are provided for mounting wallplate on outlet box. Thermostat mounts on wallplate. Use a 193120A Faceplate for horizontally mounting a T7080 on a horizontal outlet box.

OUTPUT SIGNAL RATE OF CHANGE (upon deviation from set point): 5.0 Vdc/1 F [0.5 C].

COVER: Silver-bronze painted, molded plastic.

DIMENSIONS: See Figs. 1 and 2.

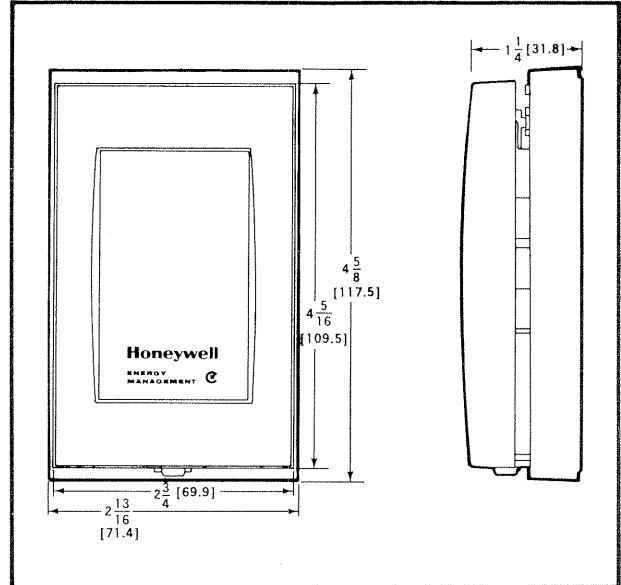


FIG. 1—APPROXIMATE DIMENSIONS, IN in. [mm], OF T7080 THERMOSTAT.

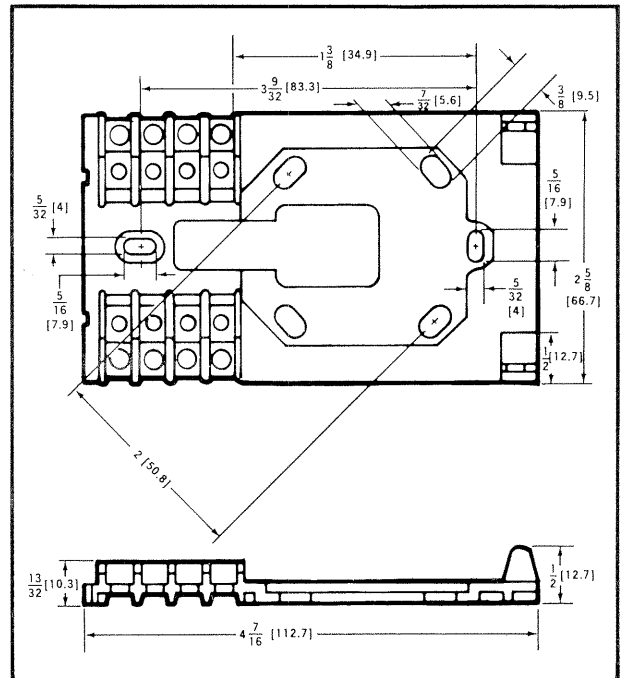


FIG. 2—APPROXIMATE T7080 WALLPLATE DIMENSIONS IN in. [mm].