

www.firecontrolinstruments.com

## FIRE ALARM CONTROL PANEL

### DESCRIPTION

The FC-72 Series Fire Alarm Control panel is a proven, versatile, modular control which meets the requirements of NFPA Standard 72 for Central Station, Protected Premises, Auxiliary, Remote and Proprietary Supervising Station Fire Alarm Systems. It is Listed to UL Standard 864, inherently power limited, meets all UL transient immunity requirements, and is suitable for releasing device service.

The control is housed in a heavy duty 16 gauge steel enclosure finished in textured beige or optional red with back lighted panels displaying the status of vital functions. The surface mounted enclosure, with its slim appearance (4-inch depth) is designed to blend with any environment.

The many features of the FC-72 series control provide a cost effective approach to system design, and allow a great degree of flexibility in one enclosure. Many of these features include full supervision, Style B (Class B) and Style D (Class A) initiating circuits, with Style Y (Class B) and Style Z (Class A) notification appliance circuits.

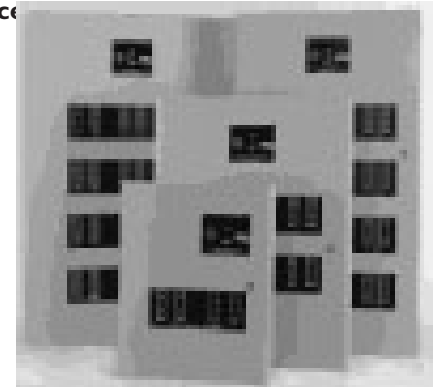
The modular concept offers total freedom of systems configuration, ease of expansion, and complete interchangeability of all standard modules. Field expansion of an existing system is accomplished by the addition of plug-in modules for initiating circuits, time limit cutoff, zone verification, releasing, and additional notification appliance circuits. UL Listed capacity is unlimited.

Supervision of vital components, plug-in modules, functional switches, and standby batteries is provided. In addition, supervised outputs are available for LED or incandescent remote alarm annunciation.

The FC-72 control is UL Listed for modular construction or expansion in the field.

### FEATURES

- **Unlimited Zone Capacity per UL**
- **Inherently Power Limited**
- **Rugged Reliability**
- **Plug-in Modules**
- **Modular Construction**
- **Simple Field Expansion**
- **Field Programmable Configuration**
- **Suitable for Releasing Device Service**
- **Temporal Pattern Output per ANSIS3.4I (optional)**
- **Alarm Verification per Zone**
- **Versatile Performance**
- **Factory Tested**



### APPROVALS

<b>U.L. (Std 864)</b>	S 1869
<b>FM</b>	1K0A8.AY
<b>C.S.F.M.</b>	7165-0694:001
<b>NYC BS&amp;A</b>	960-81-SA
<b>City of Chicago</b>	2057E



### SPECIFICATIONS

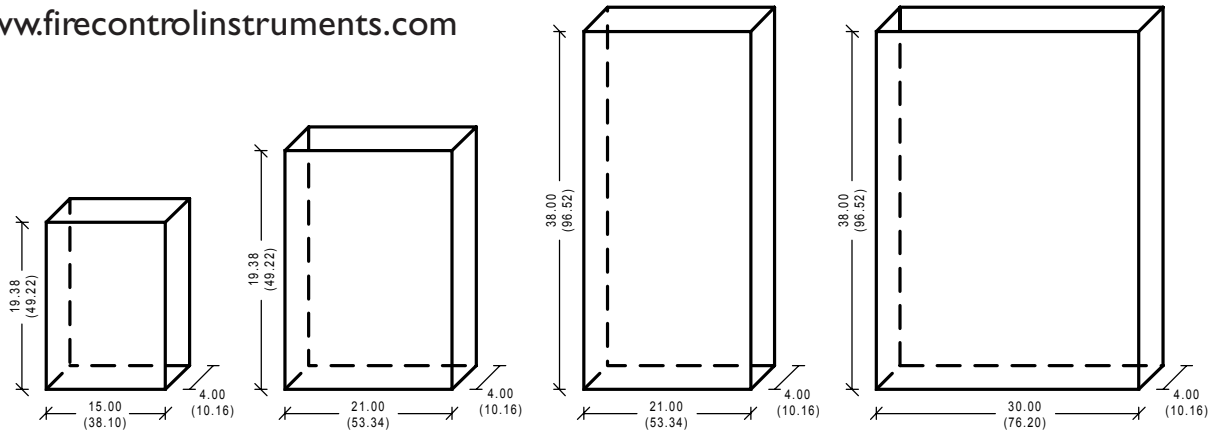
<b>Operating Temperature</b>	32-120° F(0-49° C)
<b>Relative Humidity</b>	85% (non-condensing)

### An ISO 9001 Company

Specifications are provided for information only, are not intended to be used for installation purposes and are believed to be accurate. However, no responsibility is assumed by Fire Control Instruments for their use. Specifications subject to change without notice.

© 2003 All Rights Reserved  
9020-0002/VER. 1.5

www.firecontrolinstruments.com



MODULE	DESCRIPTION	SUPV. CURRENT	ALARM CURRENT
FC-72-I	I- Zone Control Panel (1)	0.063 A	0.370 A
ADAM-6-A	Auxiliary D.C. Actuation Module	0.026 A	0.133 A
APS-6	Auxiliary Power Supply, 24 VDC/4A	0.020 A	—
BCM-6	Notification Appliance Circuit Module	(2)	(2)
BMFC-6	Basic Master Fire Card	(1)	(1)
CCM-6	Common Coder Module	(2)	(2)
PS-6	Power Supply, 24 VDC/4A	—	—
RDF	Releasing Device Interface	0.002 A	0.047 A
RZA	Remote Zone Annunciator (LED)	—	—
SRB-6	Supervised Auxiliary Relay Module	0.019 A	0.079 A (3)
TBZ	Trouble by Zone Module	0.003 A	0.021 A/Zone
TCM-6	Temporal Pattern Coder Module	(2)	(2)
TDS-438	Time Delay Switch	—	0.001A
VZM	Verification Zone Module	0.010 A	0.175 A
ZDM	Zone Detector Module (each additional Zone)	0.006 A	0.163 A
ZDM-D	BCM-6	BCM-6	BCM-6
ZMC-6	Zone Mother Card	—	—

**NOTES:**

- (1) A Basic FC-72 system contains one (1) each of the BMFC-6, PS-6, ZDM, and one (1) each of the BCM-6, TCM-6, or CCM-6.
- (2) Included in BMFC-6 and/or ADAM-6 power requirements shown.
- (3) With both circuits in alarm.
- (4) Add 4" to height and width for trim dimensions of flush mounted enclosures.

Specifications are provided for information only, are not intended to be used for installation purposes and are believed to be accurate. However, no responsibility is assumed by Fire Control Instruments for their use. Specifications subject to change without notice.

© 2003 All Rights Reserved

FIRE CONTROL INSTRUMENTS

16 Southwest Park, Westwood, MA 02090 USA • Tel: 781-471-3000 • Fax: 781-471-3099 • www.firecontrolinstruments.com