

L Series, Indoor Ceiling Strobes and Dual Speakers

Indoor Output Speaker Strobes and Dual Speakers for Ceiling Applications

General

The L-Series indoor selectable-output speaker strobes and dual-voltage evacuation speakers offer a modern, aesthetic plug-in design that reduce costly ground faults. The universal mounting plate can be used in ceiling applications and its flexible design enables the Installer to easily perform the following:

- Pre-wire mounting plates
- Dress the wires

Confirm wiring continuity before the Installer plugs-in the speakers. In addition, this product includes a protective plastic cover which shields exposed speaker components and prevents nicked wires. These devices enable faster installations by providing instant feedback to the Installer to ensure the following:

- The wiring is properly connected.
- The rotary switches are set to the selected voltage and power settings.
- The 7 field-selectable candela settings are configured for wall speaker strobes.
- The low total harmonic distortion of the SP speaker offers both high-fidelity and high-volume sound output so that it can be used in high ambient noise applications.

L-Series makes installation easy to install the L-Series speakers or speaker strobe, do the following:

1. Attach a universal mounting plate to a 4 x 4 x 2 1/8 inch backbox. Flush-mount applications do not require an extension ring.
2. Connect the notification appliance circuit or speaker wiring to the terminals on the mounting plate.
3. To attach the speaker or speaker strobe to the mounting plate, insert the product tabs into the mounting plate grooves.
4. Hinge the device into position to lock the product pins into the mounting plate terminals.
5. A catch temporarily holds the device in place until you secure the device with a captured mounting screw.



Ceiling Speaker Strobes

FEATURES & BENEFITS

- | | | | | |
|---|--|--|---|---|
| <ul style="list-style-type: none"> • Includes a plug-in feature and protective cover to reduce ground faults • Contains a universal mounting plate with an on-board shorting spring that is used to test the wiring continuity before an installation • No extension ring required | <ul style="list-style-type: none"> • Field-selectable candela settings on ceiling units: <ul style="list-style-type: none"> - 15 - 30 - 75 - 95 - 115 - 150 - 177 | <ul style="list-style-type: none"> • Uses an automatic selection of 12- or 24-volt operation at 15 and 30 candela • Provides a rotary switch that simplifies the field selection of speaker voltage (25 and 70.7 V_{RMS}) and the following power settings: <ul style="list-style-type: none"> - 1/4 watt - 1/2 watt - 1 watt - 2 watts | <ul style="list-style-type: none"> • Offers speakers with both high-fidelity and high-volume sound output • Compatible with the System Sensor synchronization protocol • Supports electrical compatibility with the existing SpectrAlert and the SpectrAlert Advance products • Designed with a tamper-resistant construction | <ul style="list-style-type: none"> • Built with an updated modern design |
|---|--|--|---|---|

L-Series Speaker and Speaker Strobe Specifications

Architectural/Engineering Specifications

General

The L-Series speaker and speaker strobes shall mount to a 4 x 4 x 2 1/8-inch backbox. A universal mounting plate shall be used for the mounting ceiling and wall products. The notification appliance circuit and amplifier wiring shall terminate at the universal mounting plate.

Also, the L-Series speaker strobes, when used with the Sync•Circuit. Module accessory, shall be powered from a non-coded notification appliance circuit output and shall operate on a nominal 12 or 24 volts. When these devices are used with the Sync•Circuit Module, either of the following may occur.

- 12-volt rated notification appliance circuit outputs shall operate between 8.5 and 17.5 volts.
- 24-volt rated notification appliance circuit outputs shall operate between 16.5 and 33 volts.

The Indoor L-Series products shall operate between 32° F and 120°F from a regulated DC, or full-wave rectified, unfiltered power supply. Speaker strobes shall have the following field-selectable candela settings:

- 15
- 30
- 75
- 95
- 115
- 150
- 177

Speaker

The speaker shall be an L-Series model _____ dual-voltage transformer speaker capable of operating at 25.0 or 70.7 nominal V_{RMS} . It should be listed to UL Standard 1480 and shall be approved for fire protective service. The speaker shall have a frequency range of 400 to 4,000 Hz and shall have an operating temperature between 32°F and 120°F. The speaker shall have power taps and voltage that are selected by rotary switches.

Speaker Strobe Combination

The speaker strobe shall be an L-Series model _____ listed to UL Standard 1480 and UL Standard 1971 and be approved for fire protective signaling systems. The speaker shall be capable of operating at 25.0 or 70.7 nominal V_{RMS} selected via rotary switch, and shall have a frequency range of 400 to 4,000 Hz. The speaker shall have power taps that are selected by rotary switch. The strobe shall comply with the NFPA 72 requirements for visible signaling appliances, flashing at 1 Hz over the strobe's entire operating voltage range. The strobe light shall consist of a xenon flash tube and associated lens/reflector system.

Synchronization Module

The module shall be a Sync•Circuit model MDL3 listed to UL Standard 464 and shall be approved for fire protective service. The module shall synchronize SpectrAlert strobes at 1 Hz. The module shall mount to a 4 11/16 x 4 11/16 x 2 1/8-inch back box. The module shall also control two Style Y (Class B) circuits or one Style Z (Class A) circuit. The module shall synchronize multiple zones. Daisy chaining two or more synchronization modules together will synchronize all the zones they control. The module shall not operate on a coded power supply.

UL Current Draw Data

Table 1 lists the UL maximum strobe current draw.

	8-17.5 Volts	16-33 Volts	
Candela	DC	DC	FWR
15	87	41	60
30	153	63	86
75	NA	111	142
95	NA	134	164
115	NA	158	191
150	NA	189	228
177	NA	226	264

Table 1 UL Max. Strobe Current Draw (mA RMS)

Table 2 lists the ceiling mount speaker sound outputs.

Setting	UL Reverberant (dBA @10 ft)	UL Anechoic (dBA @10 ft)
1/4 W	79	79
1/2 W	82	82
1 W	85	85
2 W	88	88

Table 2 Ceiling Speaker Sound Outputs

Table 3 lists the ceiling-mount speaker strobe sound outputs.

Setting	UL Reverberant (dBA @10 ft)	UL Anechoic (dBA @10 ft)
1/4 W	77	77
1/2 W	80	80
1 W	83	83
2 W	86	86

Table 3 Ceiling-Mount Speaker Strobe Sound Output

Dimensions

Figure 1 shows the speaker dimensions.

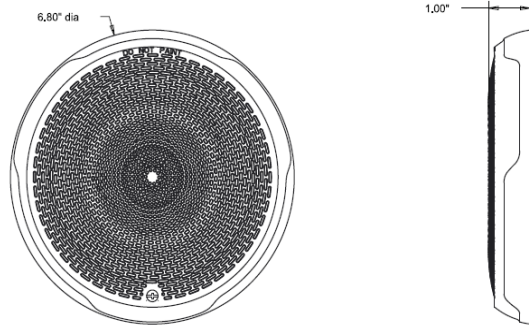


Figure 1 Speaker Dimensions

Figure 2 shows the speaker dimensions.

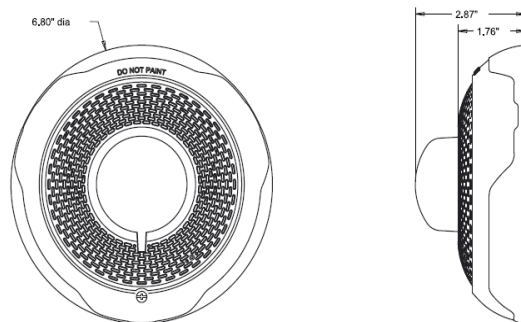


Figure 2 Speaker Dimensions

Surface Mounting

Figure 3 illustrates the ceiling-mount speaker and speaker strobes with the SBBCR/SBBCWL surface mount backbox.

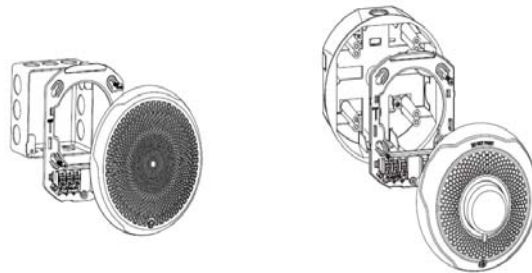


Figure 3 Ceiling-Mount Speaker and Speaker Strobe with SBBCR/SBBCWL Surface Mount Backbox

L-Series Ordering Information

SpectrAlert Speakers and Strobes:

Ceiling Mount:

SPCWL: White Speaker only

SPCRL: Red Speaker only

SPSCWL: White Speaker Strobe

SPSCRL: Red Speaker Strobe

SPSCWL-P: Plain, Speaker Strobe

SPSCWL-SP: Fuego, Speaker Strobe

SPSCWL-CLR-ALERT : Alert, Speaker Strobe, Clear Lens

Accessories:

SBBCWL: White, Universal Ceiling Surface Mount Back Box

SBBCRL: Red, Universal Ceiling Surface Mount Back Box

TRC-2W: White, Universal Ceiling Trim Ring

TRC-2: Red, Universal Ceiling Trim Ring

L Series, Indoor Ceiling Strobes and Dual Speakers Technical Specifications

SYSTEM

Physical Specifications:

Operating Temperature:	32°F to 120°F (0°C to 49°C)	
Humidity Range:	10 to 93% non-condensing	
Dimensions,Ceiling-Mount:	Diameter	Depth
SPC Speaker	6.8 in, 173 mm	1.0 in, 25 mm
With Surface Mount Backbox	6.9 in, 176 mm	3.5 in, 89 mm
SPSC Speaker Strobe	6.8 in, 173 mm	2.8 in, 73 mm
With Surface Mount Backbox	6.9 in, 176 mm	5.37 in, 136 mm

Electrical/Operating Specifications:

Nominal Voltage (speakers): 25 Volts or 70.7 Volts (nominal)

Maximum Supervisory Voltage (speakers): 50 VDC

Strobe Flash Rate: 1 flash per second

Nominal Voltage (strobes): Regulated 12 VDC or Regulated 24 VDC/FWR

Operating Voltage Range (includes fire alarm panels with built-in sync): 8 to 17.5 V (12 V nominal) or 16 to 33 V (24 V nominal)

Operating Voltage with MDL3 Sync Module: 8.5 to 17.5 V (12 V nominal) or 16.5 to 33 V (24 V nominal)

Frequency Range:

Frequency Range: 400 to 4,000 Hz

Power: ¼, ½, 1, 2 watts

STANDARDS

The L-Series, Indoor Ceiling Strobes and Horn Strobes are designed to comply with the following standard:

UL Standard: UL 1971 and UL 464

AGENCY LISTINGS AND APPROVALS

These listings and approvals apply to the modules specified in this document. In some cases, certain modules or applications may not be listed by certain approval agencies, or listing may be in process. Consult factory for latest listing status.

UL: S5512, S4011

CSFM: 7320-1653:0505

ISO 9001 Certification

For a complete listing of all compliance approvals and certifications, please visit: <http://www.gamewell-fci.com/en-US/documentation/Pages/Listings.aspx>

E3 Series® and Gamewell-FCI® are registered trademarks of Honeywell International Inc.

UL® is a registered trademark of Underwriter's Laboratories Inc.

This document is not intended to be used for installation purposes. We try to keep our product information up-to-date and accurate. We cannot cover all specific applications or anticipate all requirements. All specifications are subject to change without notice.

For more information

Learn more about Gamewell-FCI's L Series, Indoor Ceiling Strobes and Dual Speakers and other products available by visiting www.Gamewell-FCI.com

Honeywell Gamewell-FCI

12 Clintonville Road
Northford, CT 06472-1610
203.484.7161
www.honeywell.com

9021-60930 | C | 03/18
©2018 Honeywell International Inc.

Honeywell