

# L-Series, Chimes and Chime/Strobes

## Wall-mount Chimes and Wall/Ceiling-Mount Chime Strobes

### General

The L-Series selectable-output wall-mount and ceiling-mount Chimes and Chime/Strobes include a variety of features that increase their application versatility while simplifying the installation. In addition, this product includes lower current draws and a modern aesthetic design which reduce installation times and maximize profits. The flexible white and red plastic housings allow the L-Series devices to meet virtually any application requirement.

The selectable-output chimes and chime/strobes are private mode notification appliances used to alert trained personnel to investigate possible emergency situations and to take appropriate action. Security guard and nurse workstations are ideal locations to install chime products.

All devices offer a plug-in design so that there is minimal intrusion into the backbox. This design feature makes the installation fast and foolproof while eliminating costly and time-consuming ground faults.

Installers can easily adapt devices to a wide range of application requirements using the following:

- Field-selectable candela settings
- Automatic selection of 12-or-24 volt operation
- Rotary switch to set chime tones and two volume selections



*Chimes and Chime/Strobes*

## FEATURES & BENEFITS

- Built with an updated modern aesthetic design
- Features a plug-in design that allows minimal intrusion into the backbox
- Contains a mounting plate with a shorting spring feature that checks the wiring continuity before the device installation
- Uses field-selectable candela settings:  
 Wall:  
 - 15 - 30  
 - 75 - 95  
 - 110 - 135  
 - 185  
 Ceiling:  
 - 15 - 30  
 - 75 - 95  
 - 115 - 150  
 - 177
- Provides an automatic selection of 12- or 24-volt operation at 15 and 30 candela
- Uses a rotary switch for tone and volume selections
- Five selectable tones with high and low volume settings
- Supports the electrical compatibility with the legacy products
- SpectrAlert™ and SpectrAlert Advance devices
- Wall models listed for wall mounting only, ceiling models listed for ceiling mounting only
- Includes a captive mounting screw
- Designed with a tamper-resistant construction

**UL Current Draw**

Table 1 lists the UL maximum Horn current draw.

Sound Pattern	dB	8-17.5 Volts	16-33 Volts	
		DC	DC	FWR
1 Second Chime	High	39	44	54
1 Second Chime	Low	28	32	54
1/4 Second Chime	High	43	47	54
1/4 Second Chime	Low	29	32	54
Temporal Chime	High	39	41	54
Temporal Chime	Low	29	32	54
5 Second Whoop	High	42	43	545
5 Second Whoop	Low	28	29	54
Coded	High	43	47	54

**\*\*NOTE: This data represents coding at 3 chimes per second. Actual current draw will vary depending upon coding selected.**

Table 1 UL Max. Horn Current Draw (mA RMS)

**UL Current Draw Data**

Table 2 lists the maximum UL Current Draw (mA RMS) allowed for Chime/Strobe Ceiling.

DC Input	8-17.5 Volts		16-33 Volts						
	15	30	15	30	75	95	115	150	177
1 Second Chime	95	165	47	69	117	137	165	202	238
1 Second Chime	93	162	47	68	116	137	165	200	238
1/4 Second Chime	94	161	48	70	117	138	166	202	237
1/4 Second Chime	93	157	48	69	116	137	164	199	236
Temporal Chime	93	163	48	69.5	116	138	165	199	238
Temporal Chime	92	160	47	68.5	116	136	164	198	237
5 Second Whoop	98	169	54	77	124	146	173	206	245
5 Second Whoop	95	166	49	71	117	144	168	202	239
	16-33 Volts								
FWR Input	15	30	75	95	115	150	177		
1 Second Chime	63	90	147	169	184	212	245		
1 Second Chime	63	88	147	169	183	212	244		
1/4 Second Chime	65	90	149	170	184	213	246		
1/4 Second Chime	64	89	148	168	184	213	244		
Temporal Chime	64	89	148	169	184	212	245		
Temporal Chime	63	88	147	169	183	212	245		
5 Second Whoop	75	100	155	178	193	221	255		
5 Second Whoop	68	91	148	170	186	217	248		

Table 2 UL Max. Chime/Strobe Current Draw (mA RMS) Ceiling

## UL Current Draw Data

Table 3 lists the maximum UL Current Draw (mA RMS) allowed for Chime/Strobe Wall.

DC Input	8-17.5 Volts		16-33 Volts						
	15	30	15	30	75	95	110	135	185
1 Second Chime	90	154	51	71	115	136	161	202	238
1 Second Chime	89	154	50	70	116	136	154	199	242
1/4 Second Chime	90	154	52	72	117	137	168	201	242
1/4 Second Chime	89	153	49	70	115	136	165	199	241
Temporal Chime	88	153	49	69	112	137	168	201	246
Temporal Chime	88	52	47	68	111	136	167	196	241
5 Second Whoop	91	154	52	70	113	132	178	206	243
5 Second Whoop	87	149	46	66	108	130	170	202	240
	16-33 Volts								
FWR Input	15	30	75	95	110	135	185		
1 Second Chime	70	90	160	176	197	233	275		
1 Second Chime	67	88	156	175	191	232	271		
1/4 Second Chime	69	93	159	175	198	233	272		
1/4 Second Chime	68	93	154	169	196	232	270		
Temporal Chime	65	90	145	170	189	228	283		
Temporal Chime	64	89	142	170	188	219	282		
5 Second Whoop	70	93	145	168	187	223	278		
5 Second Whoop	62	84	137	159	180	216	272		

Table 3 UL Max. Chime/Strobe Current Draw (mA RMS) Wall

## Horn Strobe Tones and Sound Output Data

To select the chime tone, use the rotary switch on the back of the product. The current draw and sound measurements for various chime tone settings are listed in Table 4.

Setting	Repetition Rate	dB Level
1	1 Second Chime	High
2	1 Second Chime	Low
3	1/4 Second Chime	High
4	1/4 Second Chime	Low
5	Temporal Chime	High
6	Temporal Chime	Low
7	5 Second Whoop	High
8	5 Second Whoop	Low
9	Coded**	

Table 4: Horn Strobe Tones and Sound Output Date

## Horn Strobe Tones and Sound Output Data

The current draw and sound measurements for various chime tone settings are listed in Table 5.

Switch Position	Sound Patter	dB	8-17.5 Volts		
			DC	DC	FWR
1	1 Second Chime	High	61	62	62
2	1 Second Chime	Low	56	55	55
3	1/4 Second Chime	High	67	70	70
4	1/4 Second Chime	Low	61	61	61
5	Temporal Chime	High	64	66	66
6	Temporal Chime	Low	59	60	60
7	5 Second Whoop	High	76	78	78
8	5 Second Whoop	Low	62	64	64
9	Coded**	High	57	51	57

Table 5: Chime and Chime/Strobe Output (dBA)

## L-Series Dimensions

Figure 1 illustrates the Chimes dimensions. Figure 2 shows the Chime/Strobe dimensions. Figure 3 shows the Ceiling Chime/Strobe dimensions.

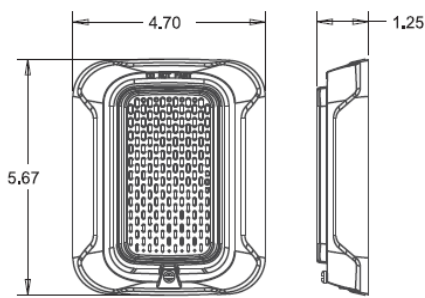


Figure 1 Chimes

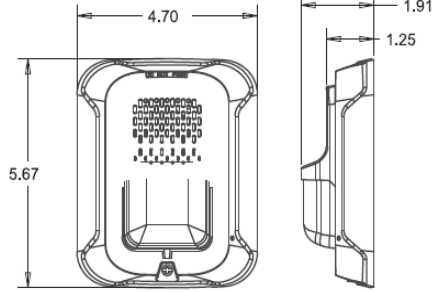


Figure 2 Chime/Strobe

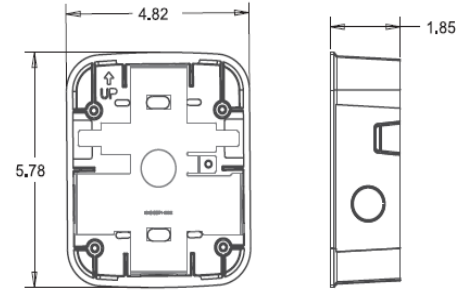


Figure 3 Ceiling Chime/Strobe

Figure 4 shows the SBBRL dimensions.

Figure 5 shows the SBBCLRL dimensions.

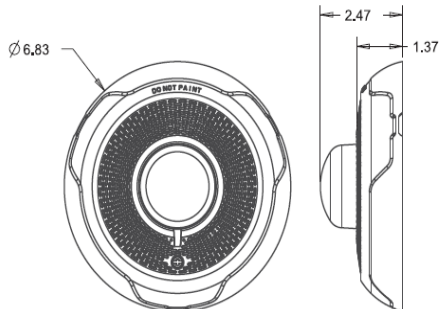


Figure 4 SBBRL

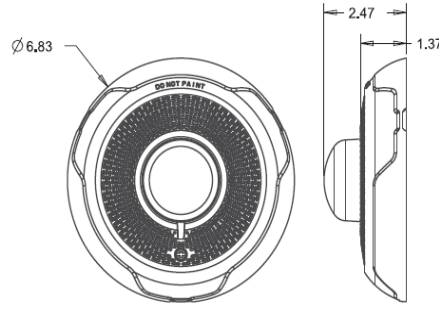


Figure 5 SBBCLRL

### L-Series Ordering Information

#### Wall Chimes, Wall/Ceiling Chimes/Strobes:

- CHRL:** Chime, Wall, Red
- CHWL:** Chime, Wall, White
- CHSRL:** Chime Strobe, Wall, Red
- CHSWL:** Chime Strobe, Wall, White
- CHSCRL:** Chime Strobe, Ceiling, Red
- CHSCWL:** Chime Strobe, Ceiling, White

### L-Series Ordering Information

#### Accessories:

- SBBRL:** Surface Mount Back Box, Wall, Red
- SBBWL:** Surface Mount Back Box, Wall, White
- SBBCRL:** Surface Mount Back Box, Ceiling, Red
- SBBCWL:** Surface Mount Back Box, Ceiling, White

# L-Series, Chimes and Chime/Strobes Technical Specifications

## SYSTEMS

### Physical/Electrical Specifications:

**Standard Operating Temperature:** 32°F to 120°F (0°C to 49°C)

**Humidity Range:** 10 to 93% non-condensing

**Strobe Flash Rate:** 1 flash per second

**Nominal Voltage:** Regulated 12VDC or regulated 24DC/FWR1

**Operating Voltage Range<sup>2</sup>:** 8 to 17.5V (12V nominal) or 16 to 33V (24V nominal)

**Operating Voltage Range (MDL3) Sync Module:** 8.5 to 17.5V (12V nominal) or 16.5 to 33V (24V nominal)

**Input Terminal Wire Gauge:** 12 to 18 AWG

### Dimensions:

**Chime strobe dimensions (including lens):** 5.6 in L × 4.7 in W × 1.25 in D

(143 mm L × 119 mm W × 32 mm D)

**Chime dimensions:** 5.6 in L × 4.7 in W × 1.25 in D

(143 mm L × 119 mm W × 32 mm D)

**Ceiling Chime strobe dimensions (including lens):**

6.8" Diameter × 2.47" D

173.5mm Diameter × 62.7mm D

**SBBRL (red wall surface mount back box):** 5.6 in L × 4.7 in W × 4.3 in D

142 mm L × 119 mm W × 109 mm D

**SBBWL (white wall surface mount back box):** 5.6 in L × 4.7 in W × 4.3 in D

142 mm L × 119 mm W × 109 mm D

**SBBCRL (red ceiling surface mount back box):** 6.9"

Diameter × 2.5" D

175.8mm Diameter × 63.5mm

**SBBCWL (white ceiling surface mount back box):** 6.9"

Diameter × 2.5" D

175.8mm Diameter × 63.5mm

### Notes:

1. Full Wave Rectified (FWR) voltage is a non-filtered, time varying power source that is used on some power supply and panel outputs.
2. CHS products will operate at 12 V nominal only for 15 and 30 cd.

## TEMPERATURE AND HUMIDITY RANGES

This system meets NFPA requirements for operation at 0 – 49°C/32 – 120°F and at a relative humidity 93% ± 2% RH (noncondensing) at 32°C ± 2°C (90°F ± 3°F).

However, the useful life of the system's standby batteries and the electronic components may be adversely affected by extreme temperature ranges and humidity. Therefore, it is recommended that this system and its peripherals be installed in an environment with a normal room temperature of 15 – 27°C/60 – 80°F.

## For more information

Learn more about Gamewell-FCI's L-Series, Chimes and Chime/Strobes and other products available by visiting [www.Gamewell-FCI.com](http://www.Gamewell-FCI.com)

## Honeywell Gamewell-FCI

12 Clintonville Road  
Northford, CT 06472-1610  
203.484.7161  
[www.honeywell.com](http://www.honeywell.com)

## STANDARDS

The L-Series, Chimes and Chime/Strobes are designed to comply with the following standard:

**UL Standard:** UL 1971 and UL 464

## AGENCY LISTINGS AND APPROVALS

These listings and approvals apply to the modules specified in this document. In some cases, certain modules or applications may not be listed by certain approval agencies, or listing may be in process. Consult factory for latest listing status.

**UL:** S5512, S4011

**CSFM:** 7135-1653:0503

**ISO 9001 Certification**

For a complete listing of all compliance approvals and certifications, please visit:

<http://www.gamewell-fci.com/en-US/documentation/Pages/Listings.aspx>

E3 Series® and Gamewell-FCI® are registered trademarks of Honeywell International Inc.

UL® is a registered trademark of Underwriter's Laboratories Inc.

This document is not intended to be used for installation purposes. We try to keep our product information up-to-date and accurate. We cannot cover all specific applications or anticipate all requirements. All specifications are subject to change without notice.