

CIM-2B & CSM-1A Isolation & Silencing Modules



6-6581 Kitimat Road Mississauga, Ontario, L5N 3T5

PH: 905.812.0767 / FAX: 905.812.0771 / TOLL: 800.SENSOR2 / WEB: www.systemsensor.ca

Available Models

CIM-2B	Isolator Module For Two Suites for use with compatible fire alarm panels
CSM-1A	Silencing Module For Use With CIM-2B



Features

- Operates From 24VDC or 25/70VRMS Signal Circuits
- Built-in Short Circuit Isolation
- Supervised Signal / Speaker Circuits
- Jumper Selectable for Speakers or 24VDC Signals
- Mounts on 4" Square Junction Box or SMB500 Surface Box
- Visible Alarm LED
- 10 Minute Signal Silence Pushbutton on CSM-1A



System Sensor Canada's CIM/CSM modules are designed for use on compatible fire alarm panels with 24VDC audible signals or speakers, without the need for separate power to the modules. The CSM-1A silencing module is designed to provide a means to silence signals / speakers that are connected to it during an alarm condition for up to 10 minutes. The CIM/CSM modules are designed to be used in applications where there is a requirement to provide isolation from the corridor to the suite. The CIM-2B is mounted in the corridor and the CSM-1A silencing switch is mounted in the suite. These devices provide engineers and installers the flexibility to install standard signalling devices to operate in compliance with sections 3.2.4.19(9), (10) and (11) of the 1995 National Building Code and 1997 Ontario Building Code. Consult with the fire alarm panel manufacturer to ensure proper operation as required by applicable codes

Performance. The CIM-2B / CSM-1A offers low current draw, resulting in minimal power consumption.

Installation. The CIM-2B / CSM-1A offer installation ease which also lowers installed and future servicing costs.

Flexibility. The CIM-2B / CSM-1A will operate with standard 24VDC audible signals and speakers.

Aesthetics. To meet building owner / tenant aesthetic requirements, the CIM-2B/CSM-1A incorporates a stylish cover plate and invisible silence switch reducing the accidental operation of the unit.

Engineering Specifications

CIM-2B, CSM-1A

The CIM-2B and CSM-1A shall mount to a standard 4" X 4" X 2 1/8" backbox. The CIM-2B/CSM-1A shall operate with standard 24VDC audible devices or 25/70VAC speakers on compatible fire alarm panels. The CIM-2B shall be powered from a standard 24V regulated DC or full wave rectified indicating appliance circuit, or 25/70VRMS speaker circuit. These models shall have an operating temperature of 32°F to 120°F. During speaker alarm tone signalling or 24VDC audible signalling a red alarm LED shall illuminate on the module. The CSM-1A silence module uses a silence switch, which when operated during alarm will silence a 24VDC audible signal or speaker device for up to 10 minutes, after which time it will resound automatically. The wiring between the CSM-1A and the suite sounding device shall be short circuit isolated during alarm operation.

Specifications - CIM-2B/CSM-1A

Mounting

4" X 4" X 2 1/8" Standard box

Weight

5 oz.

Indoor Operating Temperature

32°F to 120°F (0°C to 49°C)

Operating Voltage Range

15-30VDC and FWR unfiltered
25/70VRMS

Alarm Consumption (1 CIM-2B and 2 CSM-1A)

Continuous Signal - 24VDC- 19.5mA, 25VAC- 0.9
Watt, 70 VAC- 1.1 Watts

Temporal Signal - 24VDC- 18mA, 25VAC- 0.9 Watt,
70 VAC- 1.4 Watts

Output Circuit Rating

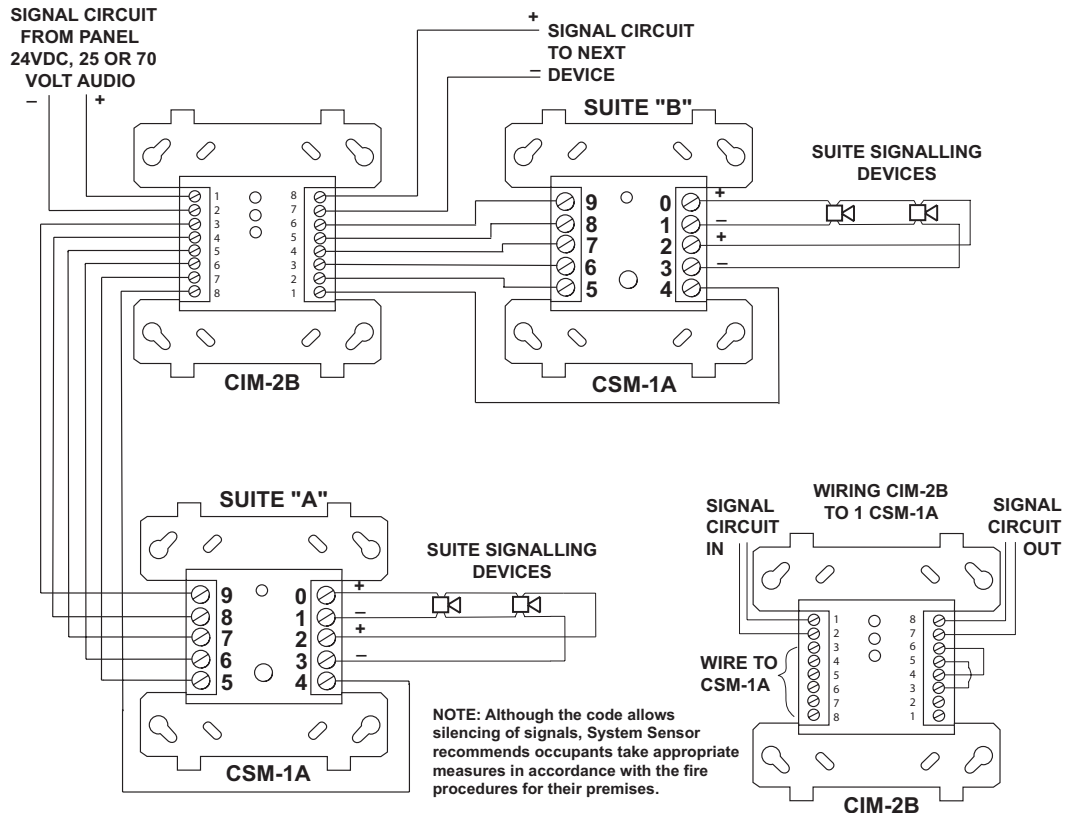
150mA Max. at 24V

3.75W Max 25/70VAC

Inrush Current (1 CIM-2B and 2 CSM-1A)(0.1s detect)

50mA at 70 VAC, 100mA at 24VDC, 150 mA @
24VAC

Wiring Diagram



System Sensor Sales and Service

System Sensor Canada

6581 Kitimat Rd. Unit # 6
Mississauga, ON L5N 3T5
Ph: 800-SENSOR2
Fx: 905-812-0771

www.systemsensor.ca

System Sensor Headquarters USA

Ph: 630-377-6674
Fx: 630-377-6495

System Sensor in Europe

Ph: 44.1403.276500
Fx: 44.1403.276501

System Sensor in China

Ph: 86.29.524.6253
Fx: 86.29.524.6259

System Sensor in Singapore

Ph: 65.273.2230
Fx: 65.273.2610

System Sensor- Far East

Ph: 852.21919003
Fx: 852.27366580

System Sensor- Latin America

Ph: 562.214.9359
Fx: 562.214.2987