

# Indoor Selectable-Output Horns, Strobes, and Horn Strobes for Wall Applications



Audio/Visual Devices

## General

The L-Series offers the most versatile and easy-to-use line of horns, strobes, and horn strobes in the industry with lower current draws and modern aesthetics. With white and red plastic housings, standard and small footprint devices, and plain, FIRE-printed devices, L-Series can meet virtually any application requirement.

The L-Series product line of wall-mount horns, strobes, and horn strobes include a variety of features that increase their application versatility while simplifying installation. All devices feature plug-in designs with minimal intrusion into the back box, making installations fast and foolproof while virtually eliminating costly and time-consuming ground faults.

To further simplify installation and protect devices from construction damage, L-Series utilizes a universal mounting plate for all standard and compact models with an onboard shorting spring, so installers can test wiring continuity before the device is installed.

Installers can also easily adapt devices to suit a wide range of application requirements using field-selectable candela settings, automatic selection of 12- or 24-volt operation, and a rotary switch for horn tones with two volume selections.

## Features

- Updated modern aesthetics.
- Small profile devices for Horns and Horn Strobes.
- Plug-in design with minimal intrusion into the back box.
- Tamper-resistant construction.
- Automatic selection of 12- or 24-volt operation at 15 and 30 candela.
- Field-selectable candela settings on wall units: 15, 30, 75, 95, 110, 135, and 185.
- Horn rated at 88+ dBA at 16 volts.
- Rotary switch for horn tone and two volume selections.
- Universal mounting plate for all standard and all compact wall units.
- Mounting plate shorting spring checks wiring continuity before device installation.
- Electrically Compatible with legacy SpectrAlert® and SpectrAlert Advance devices.
- Compatible with MDL3 sync module.
- Listed for wall mounting only.

## Architectural/Engineering Specifications

**General:** L-Series standard horns, strobes, and horn strobes shall mount to a standard 2" x 4" x 1<sup>7</sup>/<sub>8</sub>" back box, 4" x 4" x 1<sup>1</sup>/<sub>2</sub>" back box, 4" octagon back box, or double-gang back box. L-Series compact products shall mount to a single-gang 2" x 4" x 1<sup>7</sup>/<sub>8</sub>" back box. A universal mounting plate shall be used for mounting ceiling and wall products for all standard-size models and a separate universal mounting plate shall be used for mounting compact wall models. The notification appliance circuit wiring shall terminate at the universal mounting plate. Also, L-Series products, when used with the Sync•Circuit™ Module accessory, shall be powered from a non-coded notification appliance circuit output and shall operate on a nominal



P2RL



P2GWL



SGWL



HWL

12 or 24 volts. When used with the Sync•Circuit Module, 12-volt-rated notification appliance circuit outputs shall operate between 8.5 and 17.5 volts; 24-volt-rated c appliance circuit outputs shall operate between 16.5 and 33 volts. Indoor L-Series products shall operate between 32 and 120 degrees Fahrenheit from a regulated DC or full-wave rectified unaltered power supply. Strobes and horn strobes shall have field-selectable candela settings including 15, 30, 75, 95, 110, 135, and 185.

**Strobe.** The strobe shall be a L-Series Model listed to UL 1971 and shall be approved for fire protective service. The strobe shall be wired as a primary-signaling notification appliance and comply with the Americans with Disabilities Act requirements for visible signaling appliances, flashing at 1 Hz over the strobe's entire operating voltage range. The strobe light shall consist of a xenon flash tube and associated lens/reflector system.

**Horn Strobe Combination.** The horn strobe shall be a L-Series Model listed to UL 1971 and UL 464 and shall be approved for fire protective service. The horn strobe shall be wired as a primary-signaling notification appliance and comply with the Americans with Disabilities Act requirements for visible signaling appliances, flashing at 1 Hz over the strobe's entire operating voltage range. The strobe light shall consist of a xenon flash tube and associated lens/reflector system. The horn shall have two audibility options and an option to switch between a temporal three pattern and a non-temporal (continuous) pattern. These options are set by a multiple position switch. The horn on horn strobe models shall operate on a coded or non-coded power supply.

**Synchronization Module.** The module shall be a Sync•Circuit model MDL3 listed to UL 464 and shall be approved for fire protective service. The module shall synchronize SpectrAlert strobes at 1 Hz and horns at temporal three. Also, while operating the strobes, the module shall silence the horns on horn strobe models over a single pair of wires. The module shall mount to a 4<sup>11/16</sup>" x 4<sup>11/16</sup>" x 2<sup>1/8</sup>" back box. The module shall also control two Style Y (class B) circuits or one Style Z (class A) circuit. The module shall synchronize multiple zones. Daisy chaining two or more synchronization modules together will synchronize all the zones they control. The module shall not operate on a coded power supply.

**PHYSICAL/ELECTRICAL SPECIFICATIONS**

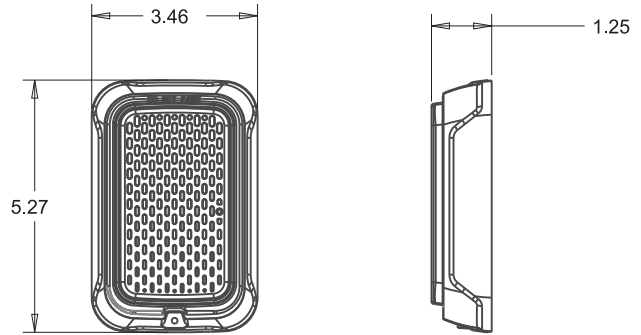
- **Standard Operating Temperature:** 32°F to 120°F (0°C to 49°C).
- **Humidity Range:** 10 to 93% non-condensing.
- **Strobe Flash Rate:** 1 flash per second.
- **Nominal Voltage:** Regulated 12 DC or regulated 24 DC/ FWR<sup>1</sup> (full wave rectified).
- **Operating Voltage Range<sup>2</sup>:** 8 to 17.5 V (12 V nominal) or 16 to 33 V (24 V nominal).
- **Operating Voltage Range:** MDL3 Sync Module 8.5 to 17.5 V (12 V nominal) or 16.5 to 33 V (24 V nominal).
- **Input Terminal Wire Gauge:** 12 to 18 AWG.
- **Wall-Mount Dimensions (including lens):** 5.6" L x 4.7" W x 1.25" D (143 mm L x 119 mm W x 32 mm D).
- **Compact Wall-Mount Dimensions (including lens):** 5.26" L x 3.46" W x 1.93" D (133 mm L x 88 mm W x 49 mm D).
- **Horn Dimensions:** 5.6" L x 4.7" W x 1.25" D (143 mm L x 119 mm W x 32 mm D).
- **Compact Horn Dimensions:** 5.25" L x 3.45" W x 1.25" D (133mm L x 88mm W x 32mm D).

**NOTE:**

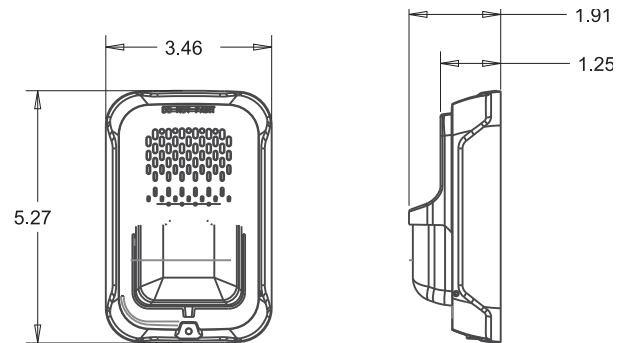
1. Full Wave Rectified (FWR) voltage is a non-regulated, time-varying power source that is used on some power supply and panel outputs.
2. P, S, PC, and SC products will operate at 12 V nominal only for 15 cd and 30 cd.

**L-Series Drawings**

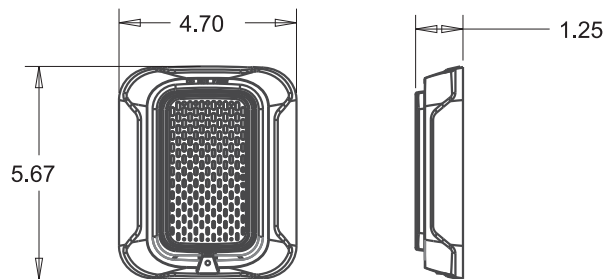
**Compact Horn**



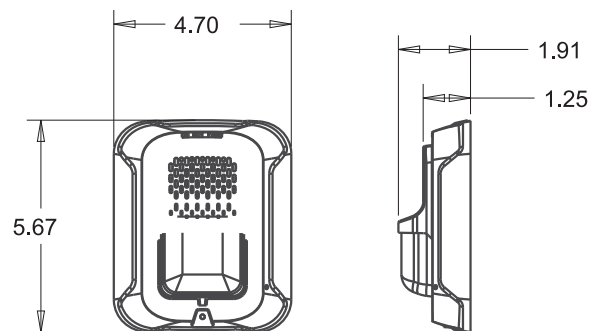
**Compact Combo**



**Horn**



**Combo**



## UL Current Draw Data

### UL MAX. STROBE CURRENT DRAW (MA RMS)

Candela	8-17.5 Volts	16-33 Volts	
	DC	DC	FWR
15	88	43	60
30	143	63	83
75	N/A	107	136
95	N/A	121	155
110	N/A	148	179
135	N/A	172	209
185	N/A	222	257

### UL MAX. HORN CURRENT DRAW (MA RMS)

The 3.1k is the sound of the mini-horns. The EM (which stands for Electro-mechanical) is the sound of the SpectrAlert Advance line which uses an algorithm that hops frequencies between 2Hz and 4Hz.

Sound Pattern	dB	8-17.5 Volts	16-33 Volts	
		DC	DC	FWR
Temporal	High	39	44	54
Temporal	Low	28	32	54
Non-Temporal	High	43	47	54
Non-Temporal	Low	29	32	54
3.1 KHz Temporal	High	39	41	54
3.1 KHz Temporal	Low	29	32	54
3.1 KHz Non-Temporal	High	42	43	54
3.1 KHz Non-Temporal	Low	28	29	54
Coded	High	43	47	54
3.1 KHz Coded	High	42	43	54

### UL MAX. CURRENT DRAW (MA RMS), 2-WIRE HORN STROBE, CANDELA RANGE (15-115 CD)

The 3.1k is the sound of the mini-horns. The EM (which stands for Electro-mechanical) is the sound of the SpectrAlert Advance line which uses an algorithm that hops frequencies between 2Hz and 4Hz.

	DC Input: 8-17.5 Volts		DC Input: 16-33 Volts							FWR Input: 16 FWR						
	15 cd	30 cd	15 cd	30 cd	75 cd	95 cd	110 cd	135 cd	185 cd	15 cd	30 cd	75 cd	95 cd	110 cd	135 cd	185 cd
Temporal High	98	158	54	74	121	142	162	196	245	83	107	156	177	198	234	287
Temporal Low	93	154	44	65	111	133	157	184	235	68	91	145	165	185	223	271
Non-Temporal High	106	166	73	94	139	160	182	211	262	111	135	185	207	230	264	316
Non-Temporal Low	93	156	51	71	119	139	162	190	239	79	104	157	175	197	235	283
3.1K Temporal High	93	156	53	73	119	140	164	190	242	81	105	155	177	196	234	284
3.1K Temporal Low	91	154	45	66	112	133	160	185	235	68	90	145	166	186	222	276
3.1K Non-Temporal High	99	162	69	90	135	157	175	208	261	104	131	177	204	230	264	326
3.1K Non-Temporal Low	93	156	52	72	119	138	162	192	242	77	102	156	177	199	234	291

## HORN TONES AND SOUND OUTPUT DATA: HORN AND HORN STROBE OUTPUT (DBA)

The 3.1k is the sound of the mini-horns. The EM (which stands for Electro-mechanical) is the sound of the SpectrAlert Advance line which uses an algorithm that hops frequencies between 2Hz and 4Hz.

In the coded positions, temporal coding must be provided by the NAC. If the NAC voltage is held constant, the horn output will remain constantly on.

Pos.	Sound Pattern	dB	8-17.5 Volts	16-33 Volts	
			DC	DC	FWR
1	Temporal	High	84	89	89
2	Temporal	Low	75	83	83
3	Non-Temporal	High	85	90	90
4	Non-Temporal	Low	76	84	84
5	3.1 KHz Temporal	High	83	88	88
6	3.1 KHz Temporal	Low	76	82	82
7	3.1 KHz Non-Temporal	High	84	89	89
8	3.1 KHz Non-Temporal	Low	77	83	83
9†	Coded	High	85	90	90
10†	3.1 KHz Coded	High	84	89	89

†Settings 9 and 10 are not available on the 2-wire horn strobes.

## Agency Listings and Approvals

The listings and approvals below apply to L-series devices. In some cases, certain modules or applications may not be listed by certain approval agencies, or listing may be in process. Consult factory for latest listing status.

- **UL/ULC-Listed**
  - S4011 Wall Horn Strobes
  - S5512 Wall Strobes
  - S5512 Wall Horns
  - S5512 Strobe-only ALERT devices
- **FM Approved** (All except ALERT models)
- **CSFM Listed:** 7135-1653:0503 (Wall Horns and Wall Horn Strobes), 7125-1653:0504 (Wall Strobes)

## Product Line Information

### WALL HORN STROBES

**P2WL(A)(-E)(-F), P2RL(A)(-E)(-F).** 2-Wire, Horn Strobe (White, Red).

**P2GWL(A)(-E)(-F), P2GRL(A)(-E)(-F).** 2-Wire, Compact Horn Strobe (White, Red).

**P2WL(A)-P, P2RL(A)-P.** 2-Wire, Horn Strobe, Plain (White, Red).

**P2WL-SP, P2RL-SP.** 2-Wire, Horn Strobe, FUEGO (White, Red).

### WALL STROBES

**SWL(A)(-E)(-F), SRL(A)(-E)(-F).** Strobe, Red (White, Red).

**SGWL(A)(-E)(-F), SGRL(A)(-E)(-F).** Compact Strobe (White, Red).

**SWL(A)-P, SRL(A)-P.** Strobe, Plain (White, Red).

**SRL-SP.** Strobe, FUEGO (Red).

**SWL-CLR-ALERT.** Strobe, ALERT (White).

**SWL-ALERT.** Strobe, Wall, Amber Lens, ALERT (White).

### HORNS

**HWL(A), HRL(A).** Horn (White, Red).

**HGWL(A), HGRL(A).** Compact Horn (White, Red).

### ACCESSORIES

**TR-2W, TR-2.** Universal Wall Trim Ring (White, Red).

**SBBWL, SBBRL.** Wall Surface Mount Back Box (White, Red).

**SBBGWL, SBBGRL.** Compact Wall Surface Mount Back Box (White, Red).

**NOTE:** "A" suffix indicates ULC-Listed model. ULC-listed devices include required French labeling. See Agency Listings for listing details.

**NOTE:** "A" suffix indicates ULC-listed models, ULC models have FIRE/FEU marking on cover.

**NOTE:** ULC-listed models add "-E" suffix for English only "FIRE" marking on cover.

**NOTE:** ULC-listed models add "-F" suffix for French only "FEU" marking on cover.

NOTIFIER® and SpectrAlert® are registered trademarks and SyncCircuit™ is a trademark of Honeywell International Inc. ©2017 by Honeywell International Inc. All rights reserved. Unauthorized use of this document is strictly prohibited.



This document is not intended to be used for installation purposes. We try to keep our product information up-to-date and accurate. We cannot cover all specific applications or anticipate all requirements. All specifications are subject to change without notice.

For more information, contact Notifier. Phone: (203) 484-7161, FAX: (203) 484-7118. [www.notifier.com](http://www.notifier.com)