

# H4W2PER3

Network WDR 1080P IR Rugged Mini Dome Camera



OPERATIONAL	
VIDEO STANDARD	NTSC/PAL
SCANNING SYSTEM	Progressive
IMAGE SENSOR	1/2.8" 2 Megapixel progressive scan CMOS
NUMBER OF PIXELS (H x V)	1920(H) x 1080(V)
MINIMUM ILLUMINATION	0.07 lux/F2.0 (color, 30IRE) 0 lux/F2.0 (IR on)
S/N RATIO	More than 45dB
ELECTRONIC SHUTTER SPEED	1/3~1/100000s
IR DISTANCE	Up to 30m(98ft), depending on scene reflectance
IR LIGHT CONTROL	Manual/SmartIR/OFF
IR LIGHT NUMBER	24
DAY/NIGHT	Auto(ICR) / Color / B/W
BACKLIGHT COMPENSATION	BLC / HLC / WDR
WHITE BALANCE	Auto/Natural/Street Lamp/Outdoor/Manual/ Customized Region
GAIN CONTROL	0~100
WIDE DYNAMIC RANGE	120dB
NOISE REDUCTION	3D DNR
PRIVACY MASKING	Off / On (4 Areas, Rectangle)
MOTION DETECTION	Off / On (4 Zones, Rectangle)
REGION OF INTEREST	Off / On (4 Zones)
LENS	2.8mm, Fixed, F2.0
ANGLE OF VIEW	H:107°, V:57°
VIDEO	
VIDEO COMPRESSION	H.265/H.264H/Smart Codec/MJPEG (Sub Stream)
RESOLUTION	1080P(1920x1080)/1.3M(1280x960)/ 720P(1280x720)/D1(704x576/704x480)/ VGA(640x480)/CIF(352x240/288)
FRAME RATE	Main Stream: 1080P(1 ~ 25/30fps); Sub Stream: D1(1 ~ 25/30fps)
BIT RATE CONTROL	CBR/VBR
BIT RATE	H.265: 12K ~ 6400Kbps H.264: 32K ~ 10240Kbps
NETWORK	
ETHERNET	RJ-45 (10/100Base-T)
SUPPORTED WEB BROWSERS	Internet Explorer (11.0+)
SUPPORTED OS	Windows® 7 32-bit/64-bit; Windows® 10 32-bit/64-bit

NETWORK (CONT'D)	
PROTOCOLS*	HTTP; HTTPS; TCP; ARP; RTSP; RTP; RTCP; UDP; SMTP; DHCP; DNS; PPPoE; IPv4/v6; QoS; UPnP; NTP; Bonjour; IEEE 802.1x; Multicast; ICMP; IGMP; TLS
INTEROPERABILITY	ONVIF Profile S/G/Q
MAXIMUM USERS ACCESS	20 Users
SECURITY	User account and password protection HTTPS, IP Filter, Digest authentication, User access log, TLS1.2 only, AES- 128/256, SSH/Telnet closed, sFTP by default, PCIDSS compliance
EVENT	No SD card, SD card error, Capacity warning, Network disconnection, IP conflict, Illegal access
MICRO SD	Up to 128 GB microSDHC card, Class 10 (not included)
ELECTRICAL	
POWER SUPPLY	DC12V, PoE (IEEE802.3af)(Class 0)
POWER CONSUMPTION	<4.6W
MECHANICAL	
DIMENSIONS	Ø109.9mm x 81mm (4.33" x 3.19")
PRODUCT WEIGHT	0.36kg (0.79lb)
PACKAGE WEIGHT	0.50kg (1.10lb)
CONSTRUCTION	Die-cast aluminum housing with powder coat
CONSTRUCTION COLOR	RAL 9003 (White)
ENVIRONMENTAL	
OPERATING TEMPERATURE	-30° C ~ +60° C (-22° F ~ +140° F)
RELATIVE HUMIDITY	Less than 95%, non-condensing
INGRESS PROTECTION	IP66
IMPACT RESISTANCE	IK10
REGULATORY	
EMISSIONS	FCC Part 15B, EN55032
IMMUNITY	EN 50130-4
SAFETY	UL 60950-1, EN 62368-1
ROHS	EN 50581




\* Some development may be required in specific user cases to support some of these protocols in the field as they mature over time.

# Network WDR 1080P IR Rugged Mini Dome Camera

## RECOMMENDED ACCESSORIES

SYSTEM COMPATIBILITY	
HEN*4	8/16/32/64-channel Performance Series 4K NVRs (H.264 and H.265)
HEN*3	4/8/16/32-channel Performance Series 4K NVRs (H.264 and H.265)
HEN*2	4/8/16-channel Performance Series NVRs (H.264)
HRHT4*	4/8/16-channel 4 MP HQA/IP/CVBS Hybrid DVRs (H.264)

MOUNTS AND ACCESSORIES		
HQA-WK		Wall Mount Bracket
HQA-PM2		Pole Mount Adapter

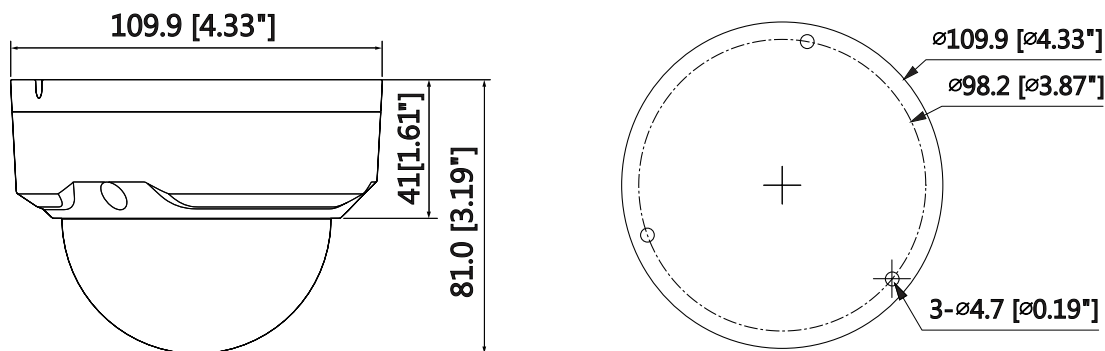
MOUNTS AND ACCESSORIES		
HQA-PK**		Pendant Mount Cap
HQA-CBE**		Ceiling Mount Extend Bracket for HQA-CB
HQA-CB**		Ceiling Mount Bracket for Pendant Mount Cap

\*\* The HQA-PK must be used when installing the camera to HQA-CB.  
The HQA-CBE must be used with HQA-CB together.

## ORDERING

H4W2PER3	Network WDR 1080P IR Rugged Mini Dome Camera, 1/2.8" CMOS, 2.8mm Fixed, 24 IR LEDs, PoE, IP66, H.265/H.264/Smart Codec
----------	--

## DIMENSIONS



### For more information

[www.honeywellvideo.com](http://www.honeywellvideo.com)

Honeywell Security Office  
Emaar Business Park, Sheikh Zayed  
Road Building No. 2, 2<sup>nd</sup> Floor, 201  
Post Office Box 232362  
Dubai, United Arab Emirates  
Tel: +971 44541704  
[www.honeywell.com](http://www.honeywell.com)

ONVIF and the ONVIF logo are trademarks of ONVIF Inc. Honeywell reserves the right, without notification, to make changes in product design or specifications.

HSV-H4W2PER3-01-US(1118)DS-Y  
© 2018 Honeywell International Inc.

**Honeywell**