



HD ONVIF | S | G | Q

H3W2GR1V H3W4GR1V

2MP/4MP Network TDN Low-Light WDR Indoor Dome

OPERATIONAL		IP SPECIFICATIONS	
VIDEO STANDARD	NTSC/PAL	SUPPORTED WEB BROWSERS	IE11/Chrome(with application)/Firefox (earlier than 52.0 version)
SCANNING SYSTEM	Progressive scan	SUPPORTED OS	Windows® 7 32-bit/64-bit; Windows® 10 32-bit/64-bit
IMAGE SENSOR	H3W2GR1V: 1/2.8" 2 Megapixel progressive scan CMOS H3W4GR1V: 1/3" 4 Megapixel progressive scan CMOS	SUPPORTED PROTOCOLS*	HTTP; HTTPS; TCP; ARP; RTSP; RTP; UDP; SMTP; FTP; DHCP; DNS; DDNS; PPPOE; IPv4/v6; QoS; UPnP; NTP; Bonjour; 802.1x; Multicast; ICMP; SNMP
NUMBER OF PIXELS (H × V)	2MP (1920x1080) - 4MP (2688x1520)	COMPATIBILITY	ONVIF Profile S, G and Q
MINIMUM ILLUMINATION @F1.6	H3W2GR1V: 0.001Lux (Color or B/W, IR off), 0Lux (B/W, IR on) H3W4GR1V: 0.01Lux (Color or B/W, IR off), 0Lux (B/W, IR on)	MAXIMUM USERS ACCESS	20 users
S/N RATIO	50db minimum	SECURITY	User account and password protection HTTPS, IP Filter, IEEE 802.1x, Digest authentication, User access log, TLS1.2, AES-256, SSH/Telnet closed, FTP disabled, PCI-DSS compliance, Hardware chipset for private key
ELECTRONIC SHUTTER SPEED	Auto/Manual, 1/3-1/100000s	BUILT-IN ALARM & EVENT	EVENT TYPE
IR DISTANCE	30m		EVENT LINKAGE
DAY/NIGHT	Mechanical ICR (ON / OFF / AUTO selectable)		EVENT OUTPUT
BACKLIGHT COMPENSATION	BLC / HLC / WDR / SAC (Scene Adaptive Control)	MICRO SD	Micro SDHC Capacity Max 32GB Micro SDXC Capacity Max 128GB
WIDE DYNAMIC RANGE (WDR)	120dB (50/60fps off)	MICRO SD FUNCTION	Event trigger recording Continuous and scheduled recording Automatic recording when network fails
WHITE BALANCE	Auto/Natural/Street Lamp/Outdoor/Manual/Customize Region	LANGUAGES SUPPORTED	English, Arabic, Czech, Dutch, French, German, Italian, Japanese, Korean, Polish, Portuguese, Russian, Simplified Chinese, Spanish, Turkish
GAIN CONTROL	Auto/Manual	ELECTRICAL	
NOISE REDUCTION	3D Noise Reduction (ON / OFF selectable)	POWER SUPPLY	PoE(802.3af) Class 0/12VDC/24VAC
PRIVACY MASKING	Up to 4 configurable areas	LONG DISTANCE POE SUPPORT	3X POE (300m @100Mbps)
DEFOG	Auto/Manual/Off	AC FREQUENCY	50/60 Hz
LENS	2.7-13.5 mm MFZ, DC IRIS, optical zoom 5x lens F1.6	POWER CONSUMPTION	H3W2GR1V: 11W H3W4GR1V: 10.5W
ANGLE OF VIEW	H3W2GR1V: FOV depending on different resolution H: 110° - 32°, V: 59° - 19° H3W4GR1V: FOV depending on different resolution H: 110° - 30°, V: 53° - 18°	AUXILIARY POWER SUPPLY	2.0W, DC12V (+/-5%)
AUDIO/TWO-WAY	Line In/Out, 1 built-in Mic	MECHANICAL	
ALARM INPUT/OUTPUT	2 In / 1 Out	DIMENSIONS	4.96 × 4.80 in. (126.0 × 122.0 mm)
ANALOG OUTPUT	Supported	WEIGHT	H3W2GR1V: Product weight: 1.14lb (519g) Package Weight: 2.07lb (937g) H3W4GR1V: Product weight: 1.14lb (516g) Package Weight: 2.04lb (924g)
ETHERNET	RJ-45 (10/100Base-T)	VANDAL RESISTANCE	IK10 (bubble only)
IP SPECIFICATIONS		CONSTRUCTION	Plastic
VIDEO COMPRESSION	H.265+, H.265, H.264 and MJPEG bit rate control (CBR and VBR)	CONSTRUCTION COLOR	RAL 9003 (White)
RESOLUTION	16:9	INSTALLATION	Surface mount, Flush mount (bracket supplied) or Wall mount using HD3-MK2
	4:3	ENVIRONMENTAL	
	OTHER	OPERATING TEMPERATURE	-22°F to 140°F (-30°C to 60°C)
FRAME RATE	MAIN STREAM	RELATIVE HUMIDITY	0% to 95%, non-condensing
	SUB STREAM	REGULATORY	
	THIRD STREAM	EMISSIONS	FCC Part 15, CE (EN 55032); Complies with RCM (AS/NZS)
		IMMUNITY	CE (EN 50130-4)
AUDIO COMPRESSION	G.711a/ G.711Mu/ AAC/G.726	SAFETY	North America UL Listed to UL/CSA 60950-1, CE (EN 60950-1)
AUDIO STREAM	Full duplex, simplex	ROHS	EN50581

* Some development may be required in specific user cases to support some of these protocols in the field as they mature over time.

2MP/4MP Network TDN Low-Light WDR Indoor Dome

RECOMMENDED ACCESSORIES

SYSTEM INTEGRATION

ONVIF support and open API software integration. Refer to www.onvif.org for the ONVIF specification and the Honeywell Open Technology Alliance website (<http://www.security.honeywell.com/hota/>) to learn more about our open and integrated solutions.



HOUSINGS AND MOUNTS

H3G-CB		Replacement Dome (Clear)
H3G-SB		Replacement Dome (Smoke)
HD3-MK2		Wall Mount Bracket
HPOE3X		3X Long Distance POE Switch
HLR1001		IP over Coax Converter

ORDERING

H3W2GR1V 2MP Network Low-Light Indoor Dome Camera, TDN, WDR 120dB, 1/2.8" CMOS, 2.7-13.5mm MFZ lens, 2 IR LEDs, H.265, PoE, microphone

H3W4GR1V 4MP Network Low-Light Indoor Dome Camera, TDN, WDR 120dB, 1/3" CMOS, 2.7-13.5mm MFZ lens, 2 IR LEDs, H.265, PoE, microphone

DIMENSIONS

For more information

<https://security.honeywell.com/uk>
<https://security.honeywell.com/me>

Customer service:

honeywellsecurity.orders@honeywell.com

Technical support:

honeywellsecurity.postsales@honeywell.com

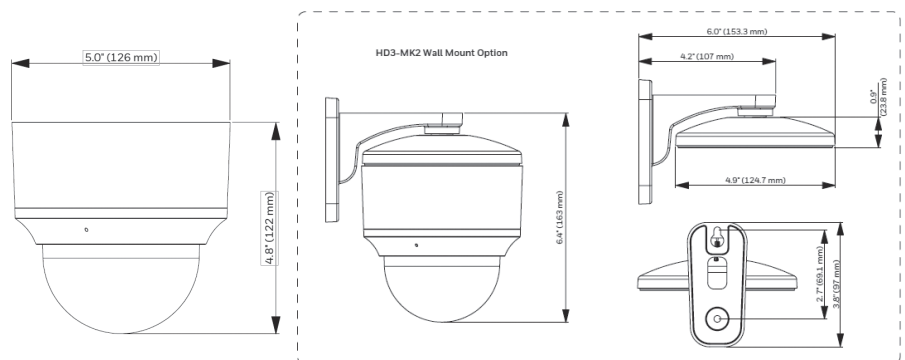
Product and Sales enquiry:

honeywellsecurity.marketing@honeywell.com

Honeywell Commercial Security

Aston Fields Road
 Whitehouse Industrial Estate
 Runcorn, Cheshire, WA7 3DL
 United Kingdom
 Tel: +44 (0)8448 000 235

Honeywell Security Office
 Emaar Business Park, Sheikh Zayed Road
 Building No. 2, 2nd floor, 201
 Post Office Box 232362
 Dubai, United Arab Emirates
 Tel: +971 44541704
 Fax: +971-4-450-5900
www.honeywell.com



ONVIF and the ONVIF logo are trademarks of ONVIF Inc. Honeywell reserves the right, without notification, to make changes in product design or specifications.

HSV-H3WxGR1V-06-UK(0519)DS-Z
 © 2019 Honeywell International Inc.

Honeywell

H3W2GR1/H3W2GR2/ H3W4GR1

Indoor WDR IR Minidome IP Cameras

Honeywell is taking quality and reliability to the next level with the New equiP® range of indoor IP cameras. The Honeywell indoor TDN low-light IR minidome cameras offer outstanding picture clarity, hassle-free flexible system integration, and secure data transmission—and they look great too!

Superior Image Quality

- Full HD 1080p 25/30 fps image with a 1/2.7" 2 MP sensor, or full HD 4 MP 20 fps image with a 1/3" 4 MP sensor
- True WDR (120 dB) ensures glare-free images
- True Day/Night provides vivid colour images by day and clear black-and-white images at night with ICR
- Excellent low-light performance with 3D noise reduction, saving storage and bandwidth together with H.264 High Profile codec

Flexible Surveillance Solution

- 2.7-12 mm or 7-22 mm, F1.4, motorized focus/zoom lens
- H.264 and MJPEG codec, triple stream support
- IR LEDs provide up to 20m (65') of illumination in dimly lit or nighttime scenes (depending on scene reflectance)
- Smart IR technology provides even distribution of IR
- -30°C to 50°C (-22°F to 122°F) working temperature
- ONVIF Profile S and G compliant
- Security features include individual signed certificates and data encryption
- Cameras can be retrofitted on many existing DVR/NVR installations without requiring additional storage



Easy to Install and Use

- Built-in PoE (Power over Ethernet) eliminates separate power supply and associated wiring; 24 V AC/12 V DC inputs where PoE power is unavailable
- Remote configuration, motorized zoom adjustments and auto focus through web client or from the NVR

Onboard Video Storage

- Supports up to 128 GB microSDHC (Class 10) card for local video storage when network is interrupted. Card not included.

FEATURES & BENEFITS

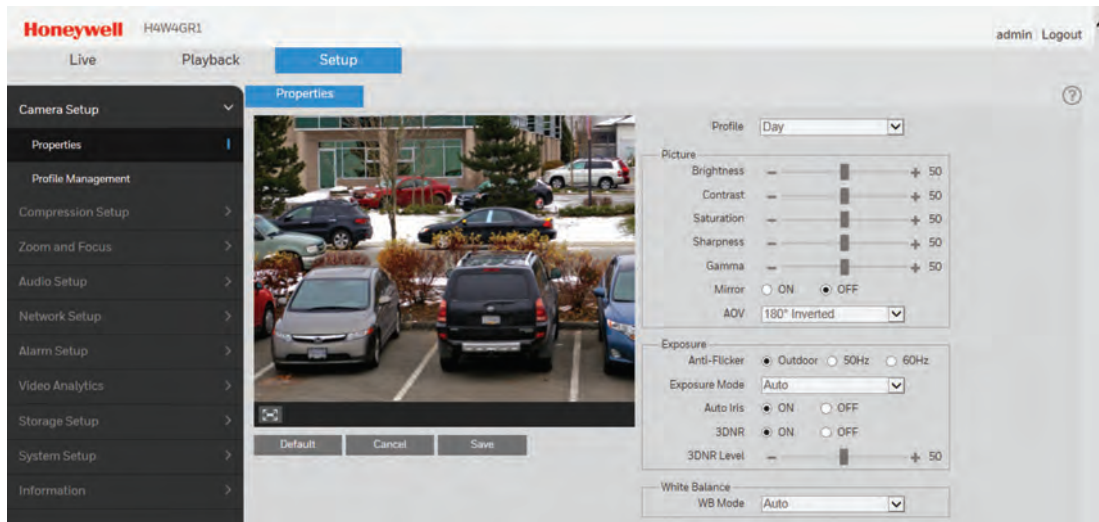
These fully featured attractive cameras are perfect for indoor installations that require excellent picture quality at minimal bandwidth while offering maximum installation flexibility with three mounting options. Boasting a sleek modern design and offering two different lens options, the cameras are suited for a wide range of applications.

- | | | | | |
|--|--|--|---|--|
| <ul style="list-style-type: none">• 1/2.7" 2 MP progressive scan imager or 1/3" 4 MP progressive scan imager• 20m (65') IR distance, depending on scene reflectance | <ul style="list-style-type: none">• True WDR: 120 dB• Excellent low light performance with down to 0 lux BW (with IR LEDs on)• Up to triple stream support | <ul style="list-style-type: none">• 4 MP resolution at 20 fps, or 1080p at 25/30 fps• 2.7-12 mm or 7-22 mm, F1.4, motorized focus and zoom lens | <ul style="list-style-type: none">• Built-in PoE for simple cabling options; 12VDC/24VAC inputs are also available• Corridor mode viewing capability• Built-in microphone | <ul style="list-style-type: none">• On board camera storage: up to 128 GB micro SD card (not included)• ONVIF profile S and G compliant• 2 Alarm inputs / 1 alarm output |
|--|--|--|---|--|

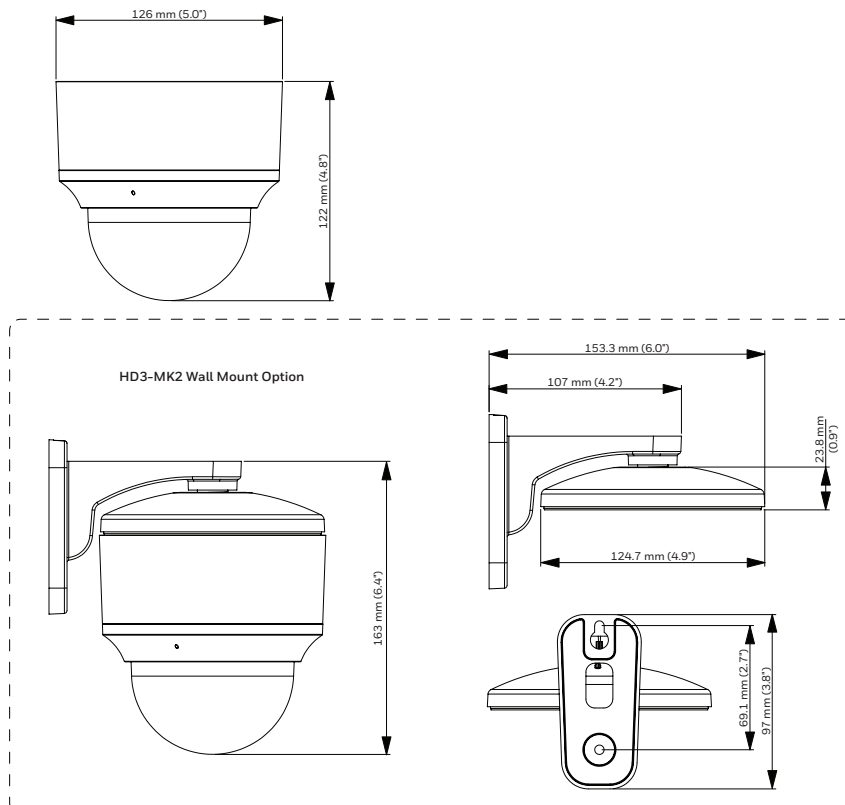
H3W2GR1/H3W2GR2/H3W4GR1

Indoor WDR IR Minidome IP Cameras

The camera can be configured to automatically detect and respond to events such as motion in the scene, alarm inputs, network failure, and/or camera tampering. Automated responses include: sending a notification through email, FTP, and/or HTTP; sending a still image of the event through email and/or FTP; and recording a video clip of the event to a configured microSDHC card. Setup can be done through a web client or from an NVR.



DIMENSIONS



H3W2GR1/H3W2GR2/H3W4GR1

Indoor WDR IR Minidome IP Cameras

SPECIFICATIONS

OPERATIONAL		IP SPECIFICATIONS (CON'T)		
VIDEO STANDARD	NTSC/PAL	FRAME RATE	SUB STREAM	HBW2GR1/HBW2GR3/HBL2GR1 (PAL): 1-25 fps (D1-704x576, CIF-352x288) HBW2GR1/HBW2GR3/HBL2GR1 (NTSC): 1-30 fps (D1-704x480, CIF-352x240) HBW4GR1 (PAL): 1-20 fps (D1-704x576, CIF-352x288) HBW4GR1 (NTSC): 1-20 fps (D1-704x480, CIF-352x240)
SCANNING SYSTEM	Progressive scan			
IMAGE SENSOR	H3W2GR1/H3W2GR2: 1/2.7" 2 MP progressive CMOS H3W4GR1: 1/3" 4 MP progressive CMOS	AUDIO COMPRESSION	G.711a/G.711u/AAC	
NUMBER OF PIXELS (H×V)	H3W2GR1/H3W2GR2: 1920x1080 H3W4GR1: 2560x1440	AUDIO STREAM	Dual Channel	
MINIMUM ILLUMINATION	0.01 lux colour/0 lux with IR LEDs on @ F1.4	ETHERNET	RJ-45 (10/100Base-T)	
S/N RATIO	50 dB or more	PROTOCOLS*	IPv4/IPv6, HTTP, HTTPS, TCP/IP, UDP, UPnP, ICMP, IGMP, RTSP, RTP, SMTP, NTP, DHCP, DNS, PPPoE, DDNS, FTP, QoS, SNMP v2c/v3, LDAP (Client), NFS, RTCP, Bonjour	
ELECTRONIC SHUTTER SPEED	Auto, Manual, 1/3(4)-1/10 000 s	COMPATIBILITY	ONVIF Profile S/G	
IR DISTANCE	Up to 20m (65'), depending on scene reflectance	MAX. USER ACCESS	20 users	
DAY/NIGHT	Auto(ICR)/Colour/BW	LANGUAGES SUPPORTED	English, Arabic, Czech, Dutch, French, German, Italian, Japanese, Korean, Polish, Portuguese, Russian, Simplified Chinese, Spanish, Turkish	
BACKLIGHT COMPENSATION	BLC/HLC	ELECTRICAL		
WIDE DYNAMIC RANGE	120 dB	INPUT VOLTAGE	12VDC +/-10%, 24VAC +/-10%, PoE IEEE 802.3af	
WHITE BALANCE	Auto/Manual	AC FREQUENCY	50/60 Hz	
GAIN CONTROL	Auto/Manual	POWER CONSUMPTION	12VDC/24VAC 9W max, PoE (802.3af) Class 0	
NOISE REDUCTION	3DNR	MECHANICAL		
PRIVACY MASKING	Up to 4 areas	DIMENSIONS	126.0 × 122.0 mm (4.96" x 4.80")	
CORRIDOR MODE	Yes	PRODUCT WEIGHT	0.57kg (1.26 lb)	
LENS	H3W2GR1/H3W4GR1: 2.7-12 mm, MFZ, F1.4 H3W2GR2: 7-22 mm, MFZ, F1.4	PACKAGE WEIGHT	0.7 kg (1.54 lb)	
	H3W2GR1/H3W4GR1: 99°-34° H3W2GR2: 41°-18°	CONSTRUCTION	Plastic Housing	
HORIZONTAL ANGLE OF VIEW	H3W2GR1/H3W4GR1: 99°-34° H3W2GR2: 41°-18°	CONSTRUCTION COLOUR	RAL9003 (White)	
AUDIO/TWO-WAY	Line In/Out & Built-in microphone	RECORDING AND STORAGE	Up to 128 GB microSDHC card Class 10 (not included)	
ALARM INPUT/OUTPUT	2/1	ENVIRONMENTAL		
IP SPECIFICATIONS		TEMPERATURE	-30°C to 50°C (-22°F to 122°F) 0% to 95%, non-condensing	
VIDEO COMPRESSION	H.264/H.264H/H.264B/MJPEG	RELATIVE HUMIDITY	10% to 100%, condensing	
RESOLUTION	H3W2GR1/H3W2GR2: 1080p (1920x1080)/ SXGA (1280x1024)/1.3M(1280x960)/ 720p (1280x720)/D1 (704x576/ 704x480)/ CIF (352x288/352x240)	REGULATORY		
	H3W4GR1: 4M (2688x1520 with Analog video output off, or 2560x1440 with Analog video output on)/ 3M (2304x1296)/1080p (1920x1080)/ SXGA (1280x1024)/1.3M (1280x960)/ 720p (1280x720)/D1 (704x576/704x480)/ CIF (352x288/352x240)	EMISSIONS	FCC Part 15, CE (EN 55022); Complies with RCM (AS/NZS)	
FRAME RATE	MAIN STREAM H3W2GR1/H3W2GR2 (PAL): 1-25 fps (1080p, SXGA-1280x1024, 1280x960, 720p, D1-704x576) H3W2GR1/H3W2GR2 (NTSC): 1-30 fps (1080p, SXGA-1280x1024, 1280x960, 720p, D1-704x480) H3W4GR1 (PAL): 1-20 fps (2688x1520 with Analog video output off, 2560x1440); 1-25 fps (2304x1296, 1080p, SXGA-1280x1024, 1280x960, 720p) H3W4GR1 (NTSC): 1-20 fps (2688x1520 with Analog video output off, 2560x1440); 1-30 fps (2304x1296, 1080p, SXGA-1280x1024, 1280x960, 720p)	IMMUNITY	CE (EN 50130-4)	
		SUB STREAM H3W2GR1/H3W2GR2 (PAL): 1-25 fps (D1-704x576, CIF-352x288) H3W2GR1/H3W2GR2 (NTSC): 1-30 fps (D1-704x480, CIF-352x240) H3W4GR1 (PAL): 1-20 fps (D1-704x576, CIF-352x288) H3W4GR1 (NTSC): 1-20 fps (D1-704x480, CIF-352x240)	SAFETY	North America UL Listed to UL/CSA 60950-1, CE (EN 60950-1)

NOTE:

* Some development may be required in specific user cases to support some of these protocols in the field as they mature over time.

H3W2GR1/H3W2GR2/H3W4GR1

Indoor WDR IR Minidome IP Cameras

ORDERING

SYSTEM INTEGRATION

OPEN IP INTEGRATION

ONVIF support and open API software integration. Refer to www.onvif.org for the ONVIF specification and the Honeywell Open Technology Alliance website (<http://www.security.honeywell.com/hota/>) to learn more about our open and integrated solutions.



ACCESSORIES

HOUSINGS AND MOUNTS

H3G-CB	Replacement Dome (Clear)
H3G-SB	Replacement Dome (Smoke)
HD3-MK2	Wall Mount Bracket

ORDERING

CAMERAS

H3W2GR1	Network TDN Low-Light, 120 dB Wide Dynamic, IR Indoor Dome Camera, 1/2.7" Imager, 2 MP, 2.7-12 mm MFZ Lens, 3 IR LEDs, PoE, H.264
H3W2GR2	Network TDN Low-Light, 120 dB Wide Dynamic, IR Indoor Dome Camera, 1/2.7" Imager, 2 MP, 7-22 mm MFZ Lens, 3 IR LEDs, PoE, H.264
H3W4GR1	Network TDN Low-Light, 120 dB Wide Dynamic, IR Indoor Dome Camera, 1/3" Imager, 4 MP, 2.7-12 mm MFZ Lens, 3 IR LEDs, PoE, H.264

For more information

www.honeywell.com/security/uk

Honeywell Security and Fire

Aston Fields Road
Whitehouse Industrial Estate
Runcorn, Cheshire, WA7 3DL
United Kingdom
Tel: +44 (0)8448 000 235
www.honeywell.com

Honeywell Security Office

Emaar Business Park, Sheikh Zayed Road
Building No. 2, 2nd floor, 201
Post Office Box 232362
Dubai, United Arab Emirates
Tel: +971 44541704
www.honeywell.com

Honeywell reserves the right, without notification, to make changes in product design or specifications.

HSFV-H3W-02-EN(1217)DS-E
© 2017 Honeywell International Inc.

Honeywell