

H4L2GR1/H4W2GR1/ H4W2GR2/H4W4GR1

Outdoor WDR IR Rugged IP Cameras

Honeywell is taking quality and reliability to the next level with the New equiP® line of rugged IP cameras. The Honeywell outdoor TDN ultra low-light IR minidome cameras offer outstanding picture clarity, hassle-free flexible system integration, and secure data transmission—and they look great too!

Superior Image Quality

- Full HD 1080p 25/30 fps image with a 1/2.7" or 1/2.8" 2 megapixel sensor, or full HD 4 MP 20 fps image with a 1/3" 4 megapixel sensor
- True WDR up to 140 dB ensures glare-free images
- True Day/Night provides vivid color images by day and clear black-and-white images at night with ICR
- Excellent low-light performance with 3D noise reduction, saving storage and bandwidth together with H.264 High Profile codec
- Ultra Low Light technology is able to capture high quality color images in low light environments

Flexible Surveillance Solution

- 2.7–12 mm or 7–22 mm, F1.4, motorized focus/zoom lens
- H.264 and MJPEG codec, triple stream support
- IR LEDs provide up to 150 ft (50 m) of illumination in dimly lit or nighttime scenes (depending on scene reflectance)
- Smart IR technology provides even distribution of IR
- Waterproof (IP67) and IK10 vandal resistant camera housing
- -40°F to 140°F (-40°C to 60°C) working temperature
- ONVIF Profile S and G compliant
- Security features include individual signed certificates and data encryption
- Cameras can be retrofitted on many existing DVR/NVR installations without requiring additional storage



Easy to Install and Use

- Built-in PoE (Power over Ethernet) eliminates separate power supply and associated wiring; 24 V AC/12 V DC inputs where PoE power is unavailable
- Remote configuration, motorized zoom adjustments and auto focus through web client or from the NVR
- Included accessories: security screw driver, 4S mount adapter, rubber gasket, and conduit adapter (varies by region)

Onboard Video Storage

- Supports up to 128 GB microSDHC (Class 10) card for local video storage when network is interrupted. Card not included.

FEATURES AND BENEFITS

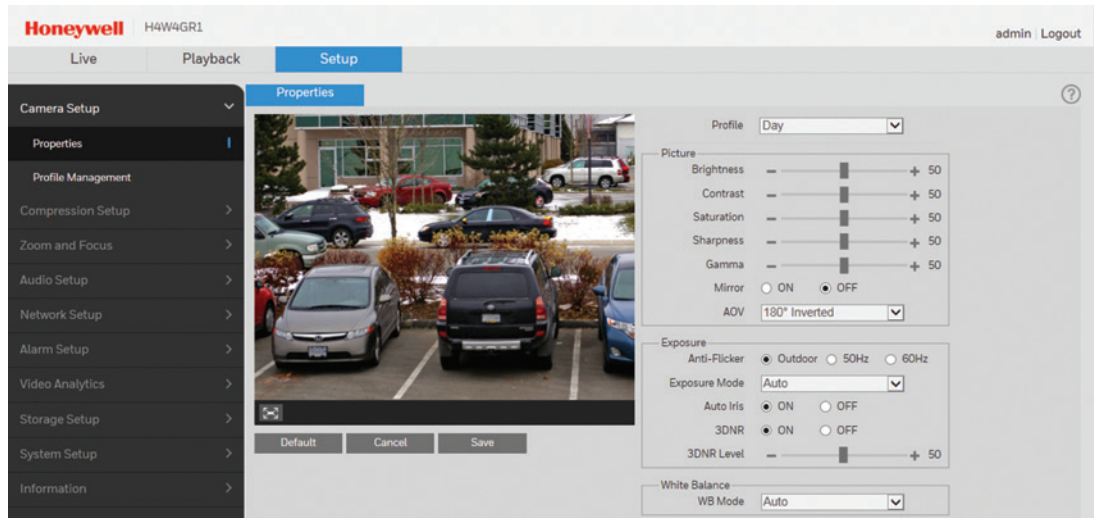
These fully featured attractive cameras are perfect for outdoor installations that require excellent picture quality at minimal bandwidth while offering maximum protection against dust, dirt, and water. Boasting a sleek modern design and offering two different lens options, the cameras are suited for a wide range of applications.

- 1/2.7" or 1/2.8" 2 megapixel progressive scan imager or 1/3" 4 MP progressive scan imager
- Ultra-low light performance
- 150 ft (50 m) IR distance, depending on scene reflectance
- True WDR: up to 140 dB
- Excellent low light performance with down to 0 lux BW (with IR LEDs on)
- Up to triple stream support
- 1080p resolution at 25/30 fps or 4 MP at 20 fps
- 2.7-12 mm or 7-22 mm, F1.4, motorized focus and zoom lens
- Rugged outdoor housing with IP67 ingress protection rating and IK10 vandal resistance rating
- Corridor mode viewing capability
- On board camera storage: up to 128 GB micro SD card (not included)
- ONVIF profile S and G compliant

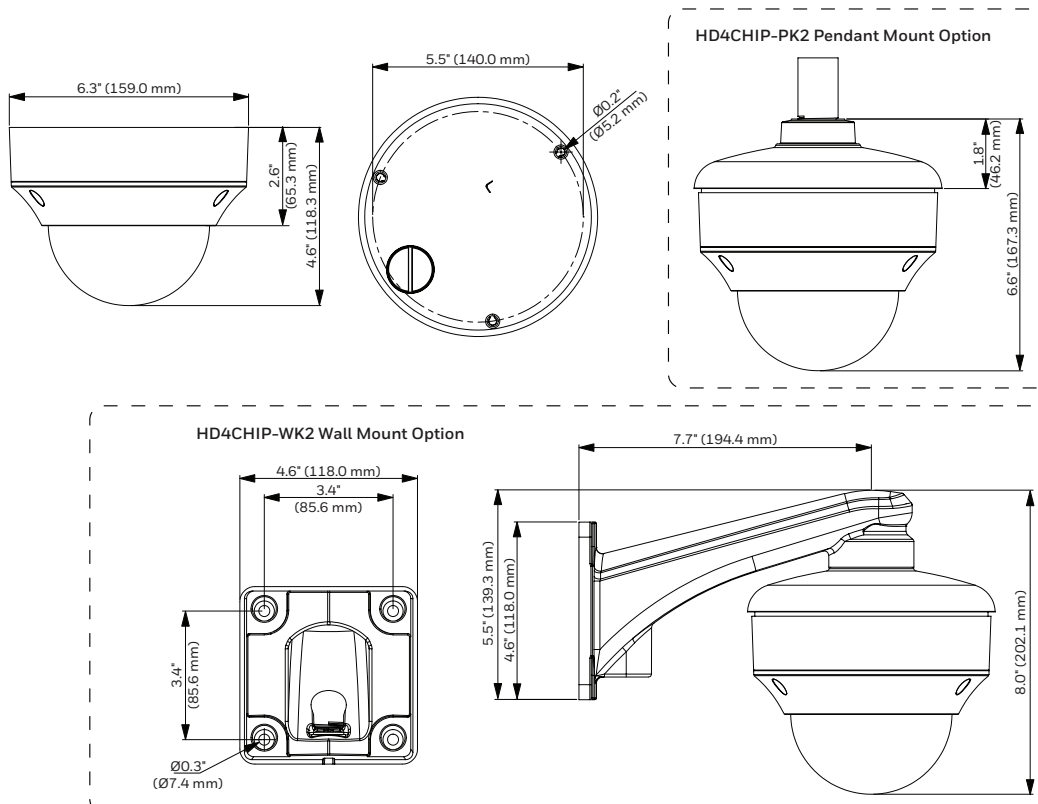
H4L2GR1/H4W2GR1/H4W2GR2/H4W4GR1

Outdoor WDR IR Rugged IP Cameras

The camera can be configured to automatically detect and respond to events such as motion in the scene, alarm inputs, network failure, and/or camera tampering. Automated responses include: sending a notification through email, FTP, and/or HTTP; sending a still image of the event through email and/or FTP; and recording a video clip of the event to a configured microSDHC card. Setup can be done through a web client or from an NVR.



DIMENSIONS



H4L2GR1/H4W2GR1/H4W2GR2/H4W4GR1

Outdoor WDR IR Rugged IP Cameras

SPECIFICATIONS

OPERATIONAL		IP SPECIFICATIONS	
Video Standard	NTSC/PAL	Sub Stream	H4W2GR1/H4W2GR2/H4L2GR1 (PAL): 1-25 fps (D1-704x576, CIF-352x288) H4W2GR1/H4W2GR2/H4L2GR1 (NTSC): 1-30 fps (D1-704x480, CIF-352x240) H4W4GR1 (PAL): 1-20 fps (D1-704x576, CIF-352x288) H4W4GR1 (NTSC): 1-20 fps (D1-704x480, CIF-352x240)
Scanning System	Progressive scan		
Image Sensor	H4L2GR1: 1/2.8" 2 MP progressive CMOS	Frame Rate	Triple Stream H4W2GR1/H4W2GR2 (PAL): 720p 1-14 fps, D1 (704x576) 1-25 fps, CIF (352x288) 1-25 fps H4W2GR1/H4W2GR2 (NTSC): 720p 1-3 fps, D1 (704x480) 1-9 fps, CIF (352x240) 1-30 fps H4W4GR1 (PAL): 1-20 fps (720p, D1-704x576, CIF-352x288) H4W4GR1 (NTSC): 1-20 fps (720p, D1-704x480, CIF-352x240) H4L2GR1 (PAL): 1080p 1-20 fps, 1-25 fps (720p, D1-704x576) H4L2GR1 (NTSC): 1080p 1-15 fps, 1-30 fps (720p, D1-704x480)
	H4W2GR1/H4W2GR2: 1/2.7" 2 MP progressive CMOS H4W4GR1: 1/3" 4 MP progressive CMOS		
Number of Pixels (HxV)	H4L2GR1/H4W2GR1/H4W2GR2: 1920 × 1080 H4W4GR1: 2560 × 1440	Audio Compression	G.711a/G.711u/AAC
Minimum Illumination	H4L2GR1: 0.005 lux color/0 lux with IR LEDs on @ F1.4 H4W2GR1/H4W2GR2/H4W4GR1: 0.01 lux color/0 lux with IR LEDs on @ F1.4	Audio Stream	Dual Channel
S/N Ratio	50 dB or more	Ethernet	RJ-45 (10/100Base-T)
Electronic Shutter Speed	Auto, Manual, 1/3(4)–1/10 000 s	Protocols*	IPv4/IPv6, HTTP, HTTPS, TCP/IP, UDP, UPnP, ICMP, IGMP, RTSP, RTP, SMTP, NTP, DHCP, DNS, PPPOE, DDNS, FTP, QoS, SNMP v2c/v3, LDAP (Client), NFS, RTCP, Bonjour
IR Distance	Up to 150 ft (50 m), depending on scene reflectance	Compatibility	ONVIF Profile S/G
Day/Night	Auto(ICR)/Color/BW	Max. User Access	20 users
Backlight Compensation	BLC/HLC	Languages Supported	English, Arabic, Czech, Dutch, French, German, Italian, Japanese, Korean, Polish, Portuguese, Russian, Simplified Chinese, Spanish, Turkish
Wide Dynamic Range	H4L2GR1: 140 dB H4W2GR1/H4W2GR2/H4W4GR1: 120 dB	ELECTRICAL	
White Balance	Auto/Manual	Input Voltage	12VDC +/-10%, 24VAC +/-10%, PoE IEEE 802.3af
Gain Control	Auto/Manual	AC Frequency	50/60 Hz
Noise Reduction	3DNR	Power Consumption	24VAC 12W max (zoom/focus/IRs/heater active), typical 10.5W PoE (802.3af) Class 0
Privacy Masking	Up to 4 areas	MECHANICAL	
Corridor Mode	Yes	Dimensions	6.2 × 4.6 in. (159.0 × 118.0 mm)
Lens	H4L2GR1/H4W2GR1/H4W4GR1: 2.7–12 mm, MFZ, F1.4	Product Weight	2.3 lb (1.05 kg)
	H4W2GR2: 7–22 mm, MFZ, F1.4	Package Weight	4.6 lb (2.1 kg)
	H4L2GR1: 97°–34° H4W2GR1/H4W4GR1: 99°–34° H4W2GR2: 44°–16°	Construction	Die-cast aluminum housing with powder coat
Audio/Two-Way	Line In/Out	Construction Color	RAL9003 (White)
IP SPECIFICATIONS		Recording and Storage	Up to 128 GB microSDHC card Class 10 (not included)
Video Compression	H.264/H.264H/H.264B/MJPEG		
Resolution	H4L2GR1/H4W2GR1/H4W2GR2: 1080p (1920×1080)/SXGA (1280×1024)/1.3M (1280×960)/720p (1280×720)/D1 (704×576/704×480)/CIF (352×288/352×240)		
	H4W4GR1: 4M (2688×1520 with Analog video output off, or 2560×1440 with Analog video output on)/3M (2304×1296)/1080p (1920×1080)/SXGA (1280×1024)/1.3M (1280×960)/720p (1280×720)/D1 (704×576/704×480)/CIF (352×288/352×240)		
Frame Rate	Main Stream	H4W2GR1/H4W2GR2/H4L2GR1 (PAL): 1-25 fps (1080p, SXGA-1280x1024, 1280x960, 720p, D1-704x576) H4W2GR1/H4W2GR2/H4L2GR1 (NTSC): 1-30 fps (1080p, SXGA-1280x1024, 1280x960, 720p, D1-704x480) H4W4GR1 (PAL): 1-20 fps (2688x1520 with Analog video output off, 2560x1440); 1-25 fps (2304x1296, 1080p, SXGA-1280x1024, 1280x960, 720p) H4W4GR1 (NTSC): 1-20 fps (2688x1520 with Analog video output off, 2560x1440); 1-30 fps (2304x1296, 1080p, SXGA-1280x1024, 1280x960, 720p)	

Notes:

* Some development may be required in specific user cases to support some of these protocols in the field as they mature over time.

H4L2GR1/H4W2GR1/H4W2GR2/H4W4GR1

Outdoor WDR IR Rugged IP Cameras

ORDERING

SYSTEM INTEGRATION

Open IP Integration

ONVIF support and open API software integration. Refer to www.onvif.org for the ONVIF specification and the Honeywell Open Technology Alliance website (<http://www.security.honeywell.com/hota/>) to learn more about our open and integrated solutions.



ACCESSORIES

Housings and Mounts

HB4G-PM	Pole Mount Bracket
HB34G-CM	Corner Mount Bracket
HD4CHIP-PK2	Pendant Mount Bracket
HD4CHIP-WK2	Wall Mount Bracket
H4G-CB	Replacement Dome (Clear)
H4G-SB	Replacement Dome (Smoke)

ORDERING

Cameras

H4L2GR1	Network TDN Ultra Low-Light, 140db Wide Dynamic, IR Rugged Dome Camera, 1/2.8" Imager, 2 MP, 2.7-12 mm MFZ Lens, 3 IR LEDs, PoE, H.264
H4W2GR1	Network TDN Low-Light, 120db Wide Dynamic, IR Rugged Dome Camera, 1/2.7" Imager, 2 MP, 2.7-12 mm MFZ Lens, 3 IR LEDs, PoE, H.264
H4W2GR2	Network TDN Low-Light, 120db Wide Dynamic, IR Rugged Dome Camera, 1/2.7" Imager, 2 MP, 7-22 mm MFZ Lens, 3 IR LEDs, PoE, H.264
H4W4GR1	Network TDN Low-Light, 120db Wide Dynamic, IR Rugged Dome Camera, 1/3" Imager, 4 MP, 2.7-12 mm MFZ Lens, 3 IR LEDs, PoE, H.264

For more information

www.honeywell.com/security

Honeywell Security and Fire

2700 Blankenbaker Pkwy, Suite 150
Louisville, KY 40299
1.800.323.4576
www.honeywell.com

Honeywell reserves the right, without notification, to make changes in product design or specifications.

L/H4OWDRCD/D | 06/16
© 2016 Honeywell International Inc.

Honeywell