

The Phoenix Controls Valve Drawband Clamp allows quick and easy installation or removal of single non-flanged valves into either plain or spiral ductwork. Specially designed for use with Phoenix Accel® II venturi valves, the drawband clamp has two drawband bolts so the installer can evenly tighten the clamp on the valve and ductwork. For clean air applications, use commercially available UL181 code compliant tape between the valve and the duct to seal the valve to the duct. For corrosive exhaust applications, a special PTFE adhesive tape is available to protect and seal the drawband clamp gasket from chemical attacks.

FEATURES

- Reduced installation time
- Easy installation without damaging the valve's protective coating
- No protrusions in the air stream, reduced dust/dander build-up
- Cost-effective method for valve removal without any damage
- Two bolts ensure even tightening
- Allows rotation for servicing
- 2-inch wide PTFE tape with silicon adhesive is available for installations in corrosive air streams

SPECIFICATIONS

Construction

Galvanized steel

Gasket

UL94 Neoprene

Design

Stepped to accommodate valve versus duct diameter differences

Tightening Torque

Not to exceed 40 in-lbs.

Regulatory Compliance



- RoHS
- EU Contact Address:
Honeywell GmbH
Boebinger Str. 17
71101 Schoenaich
Germany

OSHPD Certified

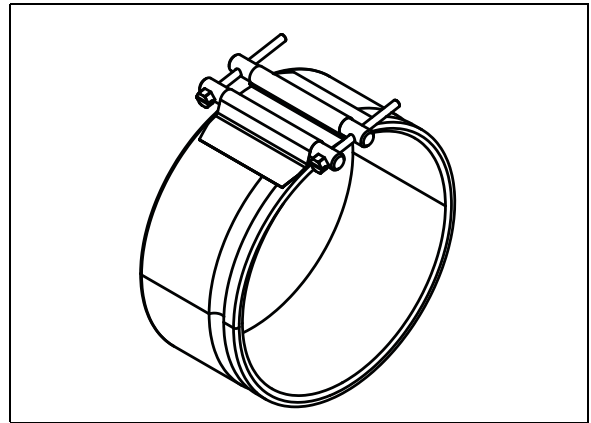
These devices are certified for OSHPD Seismic Certification Preapproval per 2013 CBC, 2012 IBC, ASCE 7-10, and IEC-ES-AC-156. OSHPD Special Certification number OSP-0290-10.

ISO

Phoenix Controls Designs, Develops, Manufactures, and sells products, systems, and service to control the environment and airflow of critical spaces. Phoenix Controls is registered to ISO 9001:2008.

Warranty

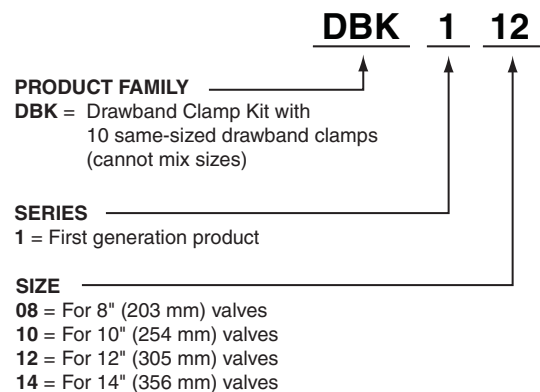
Phoenix Controls Warrants all venturi valves against defects in material and workmanship for a period of 5 years. In addition, all other equipment manufactured by Phoenix Controls, such as sash sensors, fume hood monitors, and equipment supplied but not manufactured by Phoenix Controls is covered by a 3 year warranty.



Drawband Clamp

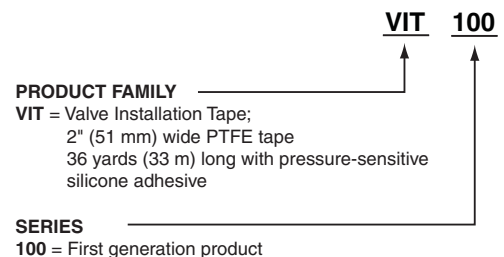
ORDERING GUIDES

Drawband Kits



Drawband Tape

(for corrosive applications)



Use the following table of approximate coverages to estimate the number of rolls required.

Valve Size	Valves/Roll
8" (203 mm)	12
10" (254 mm)	10
12" (305 mm)	8
14" (356 mm)	6

INSTALLATION

1. The ductwork on either side of the valve must be well supported with hanger stock within 12" of the connections to the valve. Refer to the "Dimensions and Installation" pages of the valve product data sheet for general valve installation. This section explains how to make the connection between the duct and valve using a drawband clamp.
2. Ensure that the maximum distance between duct ends is valve length minus .50" to 1.50" from each side (see table below). Valve is to slip inside both ducts. Remove all sharp edges and burrs from duct ends.

Valve Diameter	Valve Length	Duct Opening
8"	23.50" (597 mm)	22.50" (572 mm)
10"	21.75" (552 mm)	20.75" (527 mm)
12"	26.81" (681 mm)	25.81" (656 mm)
14"	30.00" (762 mm)	27.00" min (686 mm) 28.00" max (711 mm)

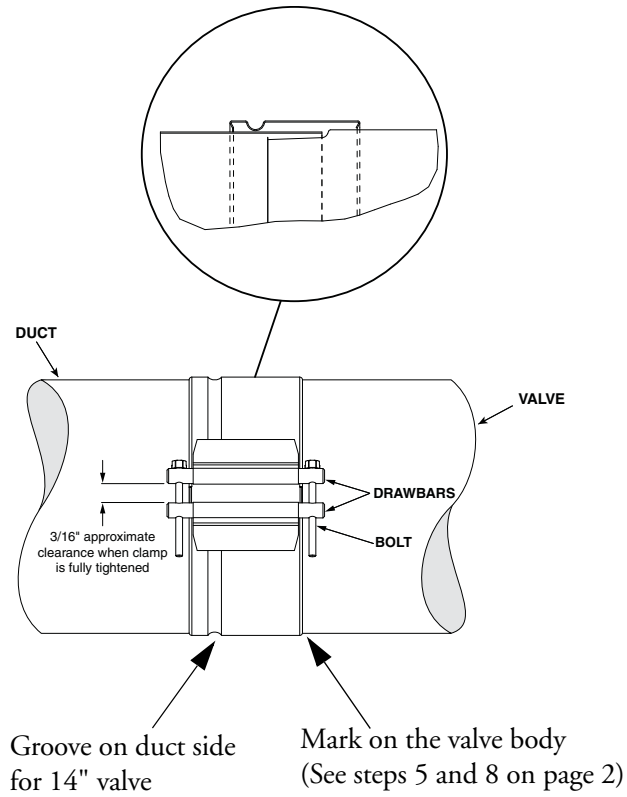
3. Slacken both bolts of the drawband clamp until the end of the bolts are flush with the draw bar.
4. Slide the clamp over the duct, ensuring that the groove on the clamp is facing the correct side (refer to the drawband clamp label for proper orientation).
5. For 8, 10 and 12-inch valves, make a mark on the valve 1.75" from end of valve body.
For 14-inch valves, make a mark on the valve approximately 2.50" from end of valve body.
6. Insert the valve into desired position.
7. For Class A valves, secure and seal gap in place with two wraps of commercially available UL181 code compliant tape. For Class B and C valves, secure and seal wrap in place with two wraps of VIT100 PTFE drawband tape (from Phoenix Controls).
8. Slide the drawband clamp into position up to the mark on valve body (made in step 5).
9. Keeping the drawband square, tighten the drawband bolts evenly until approximately a 3/16" gap remains between the ends of the clamp (see drawing).

NOTE: For 14-inch valves, the drawband clamp must clamp on the large O.D. of valve body (**not on tapered ends**).

IMPORTANT NOTES:

1. The Drawband Clamp (DBK) is intended for use on trade-size ducts only (valve body slips inside ducts on both ends). The DBK is not intended for use on ducts or collars that are smaller in diameter than trade-size ducts (for example, outlets of transitions or elbows).
2. Exceeding the bolt torque specifications on 40 in-lbs. or tightening to a drawbar gap of less than approximately 1/16" may permanently damage the DBK.
3. Two wraps of appropriate tape are needed to ensure an air-tight seal.

14" VALVES



8, 10 and 12" VALVES

