

60 SERIES CAMERAS MOUNTS AND ACCESSORIES

Honeywell's 60 Series mounts and accessories provide a wide range of installation options for the Honeywell 60 Series IP cameras, including junction box, in ceiling mount bracket, wall mount bracket, pole mount bracket, corner mount bracket, etc.

The mounts provide easy cable routing with no exposed wiring, and the cameras can be installed, adjusted, and tested without repositioning the housing. All of the mounts and accessories are suitable for indoor or outdoor use.

The junction box, pendant mount bracket, wall mount bracket, pendant mount cap and pendant mount adapter are constructed of die-casting aluminum. The in ceiling mount bracket is made of SECC steel. The pole mount bracket, corner mount bracket is made of SPCC steel.

MARKET OPPORTUNITIES

Honeywell's 60 Series mounts and accessories provide excellent value at an attractive price, featuring simple, clean lines, and rugged construction for a wide range of mounting options.



HA60BB1
Junction Box



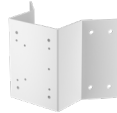
HA60JCBH1
Dome Junction
Box



HA60PLMZI
Pole Mount
Bracket



HA60WLM4
Wall Mount
Bracket



HA60CNMZ
Corner Mount
Bracket



HA60PLMZB
Pole Mount
Bracket



HA60WLM3
Wall Mount
Bracket



HA60ICK
Indoor Dome
Inceiling Mount Kit



HA60PMC4
Pendant Mount
Adapter



HA60CNMZI
Corner Mount
Bracket



HA60WIF
Wifi Dongle



HA60CLM01
Pendent Mount
Base



HA60MLMM
Multi-Sensor Camera
Wall Mount Bracket



HA60WLMZI
Wall Mount
Bracket



HA60PCMZ
Pendant Mount
Cap



HA60CLM02
Pendent
Extension Pipe



HA60ICMM
In-Ceiling Mount
Bracket



HA30PMB01
Pendant Mounting
Base



HA30PME02
Pendant Mount
Extend Bracket


















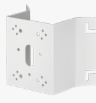














HA60PLMM
Multi-Sensor Pole
Mount Bracket



HA60CNMM
Multi-Sensor Corner
Mount Bracket



















MOUNTS AND ACCESSORIES

COMPATIBLE 60 SERIES CAMERAS

MODEL	HC60W35R2 HC60W35R4	HC60W34R2L	HC60W45R2 HC60W45R4	HC60W44R2L	HC60WB5R2 HC60WB5R5 HC60WB4R2 HC60WB4R2L	HC60WZ4R40WI HC60WZ4R40KI
HA60BB1 						
HA60JCBH1 						
HA60PLMZB 			+HA60WLM4 	+HA60WLM4 	+HA60BB1 	
HA60PLMZI 						+HA60WLMZI 
HA60CNMZ 			+HA60WLM4 	+HA60WLM4 	+HA60BB1 	
HA60CNMZI 						+HA60WLMZI 
HA60WLMZI 						
HA60WLM3 						
HA60WLM4 						
HA60PMC4 			+Pendant mount bracket (bracket and installation not included) 	+Pendant mount bracket (bracket and installation not included) 		
HA60WIF 	✓	✓	✓	✓	✓	
HA60ICK 	Included in camera package	✓				

MOUNTS AND ACCESSORIES

COMPATIBLE 60 SERIES CAMERAS

MODEL	HC60W35R2 HC60W35R4	HC60W34R2L	HC60W45R2 HC60W45R4	HC60W44R2L	HC60WB5R2 HC60WB5R5 HC60WB4R2 HC60WB4R2L	HC60WZ4R40WI HC60WZ4R40KI	HC60WM20R1
HA60CLM01 						+HA60CLM02 	
HA60CLM02 						+HA60CLM01 	
HA60ICMM 							
HA30PMB01 							+HA30PME02 +HA60PCMZ 
HA30PME02 							+HA30PMB01 +HA60PCMZ 
HA60PCMZ 							+HA30PMB01 +HA30PME02 
HA60MLMM 							
HA60PLMM 							+HA60MLMM 
HA60CNMM 							+HA60MLMM 

MOUNTS AND ACCESSORIES

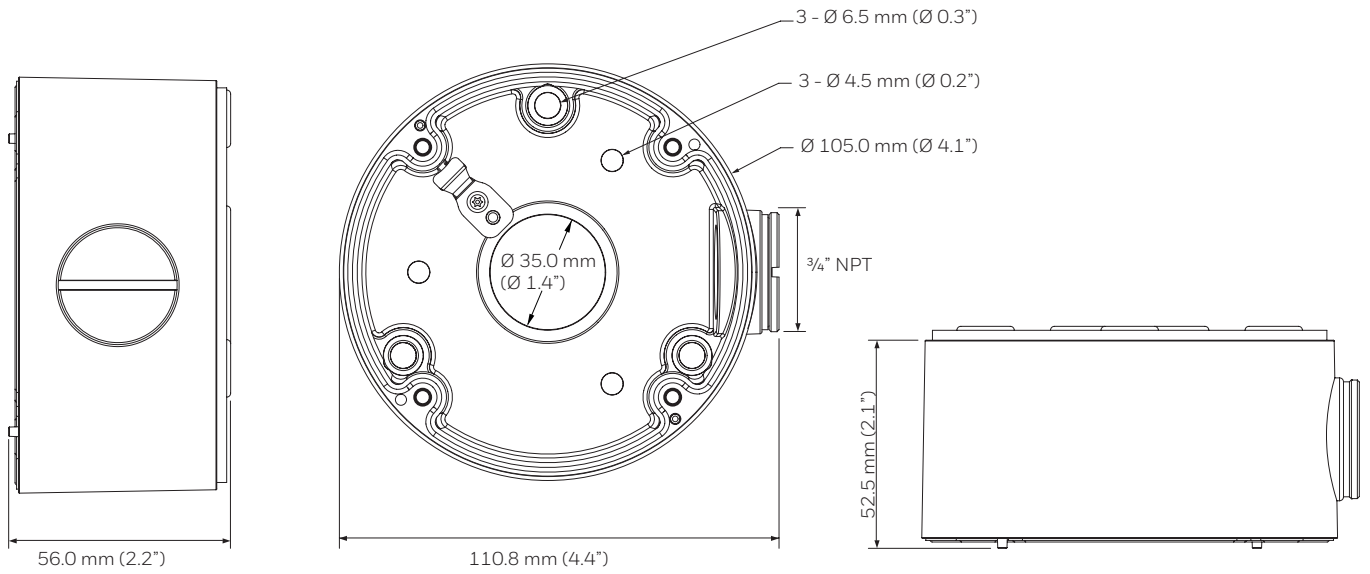
SPECIFICATIONS

MODEL	INDOOR/ OUTDOOR	CONSTRUCTION	COLOR	WEIGHT	DIMENSIONS
HA60BB1	Indoor/Outdoor	ADC12	RAL 7022 (Dark Gray)	0.4 kg (0.8 lb)	Ø 105.0 mm x 56.0 mm (Ø 4.1" x 2.2")
HA60JCBH1	Indoor/Outdoor	ADC12	RAL 9003 (Signal White)	1.3 kg (2.86 lb)	Ø160.5 mm x 53.0 mm (Ø6.31" x 2.09")
HA60PLMZB	Indoor/Outdoor	Steel	RAL 9003 (Signal White)	1.0 kg (2.20 lb)	134.5 mm x 48.2 mm x 170 mm (5.30" x 1.90" x 6.69")
HA60PLMZI	Indoor/Outdoor	SPCC	RAL 9003 (Signal White)	3.2 kg(7.05 lb)	200 mm x 67.2 mm x 320 mm (7.87" x 2.65" x 12.6")
HA60CNMZ	Indoor/Outdoor	Steel	RAL 9003 (Signal White)	1.8 kg (3.97 lb)	243.2mm x 138.7mm x 170 mm (9.57" x 5.46" x 6.69")
HA60CNMZI	Indoor/Outdoor	SPCC	RAL 9003 (Signal White)	1.56 kg (3.44 lb)	247.6 mm x 180 mm x 143.5 mm (9.75" x 7.09" x 5.65")
HA60WLMZI	Indoor/Outdoor	Aluminum	RAL 9003 (Signal White)	0.59 kg (1.3 lb)	109 mm x 164 mm x 209.3 mm (4.29" x 6.46" x 8.24")
HA60WLM3	indoor	Plastic	RAL 9003 (Signal White)	0.08 kg (0.2 lb)	Ø 121.0 mm x 154.0 mm x 97.0 mm (Ø 4.76" x 6.1" x 3.8")
HA60WLM4	Indoor/Outdoor	ADC12	RAL 9003 (Signal White)	0.9 kg (2.0 lb)	Ø 164.7 mm x 276.8 mm x 139.3 mm (Ø 6.5" x 10.9" x 5.5")
HA60PMC4	Indoor/Outdoor	ADC12	RAL 9003 (Signal White)	0.4 kg (0.9 lb)	Ø 164.7 mm x 46.2 mm (Ø 6.5" x 1.8")
HA60ICK	indoor	Plastic	RAL 9003 (Signal White)	0.08 kg (0.18 lb)	Ø 155 mm x 61 mm (Ø 6.1" x 2.4")
HA60CLM01	Indoor/Outdoor	Aluminum (ADC12)	RAL 9003 (Signal White)	0.24 kg (0.53 lb)	Ø 121 mm x 38 mm (Ø 4.77" x 1.50")
HA60CLM02	Indoor/Outdoor	Aluminum	RAL 9003 (Signal White)	0.86 kg (1.90 lb)	Ø 56 mm x 352 mm (Ø 2.20" x 13.86")
HA60ICMM	Indoor/Outdoor	Aluminum	Silver	1.13 kg (2.49 lb)	660.00 mm x 20.00 mm x 40.00 mm (25.98" x 0.79" x 1.57")
HA30PMB01	Indoor/Outdoor	Aluminum	RAL 9003 (Signal White)	0.74 kg (1.63 lb)	Ø 160 mm x 90 mm (Ø 6.3" x 3.54")
HA30PME02	Indoor/Outdoor	Aluminum	RAL 9003 (Signal White)	0.9 kg (1.98 lb)	Ø 50.8mm x 400 mm (Ø 2" x 15.75")
HA60PCMZ	Indoor/Outdoor	Aluminum	RAL 9003 (Signal White)	0.5 kg (1.0 lb)	Ø 154.2 mm x 71.7 mm (Ø 6.1" x 2.8")
HA60MLMM	Indoor/outdoor	Aluminum	RAL 9003 (Signal White)	1.40 kg (3.08 lb)	276.00 mm x 202.00 mm x 140.00 mm (10.86" x 7.95" x 5.51")
HA60PLMM	Indoor/Outdoor	SPCC steel	White	1.24 kg (2.73 lb)	240.0 mm x 156.7 mm x 68.9 mm (9.45" x 6.16" x 2.71")
HA60CNMM	Indoor/Outdoor	SPCC steel	White	4.00 kg (8.81 lb)	233.40 mm x 341.60 mm x 240.00 mm (9.19" x 13.45" x 9.45")

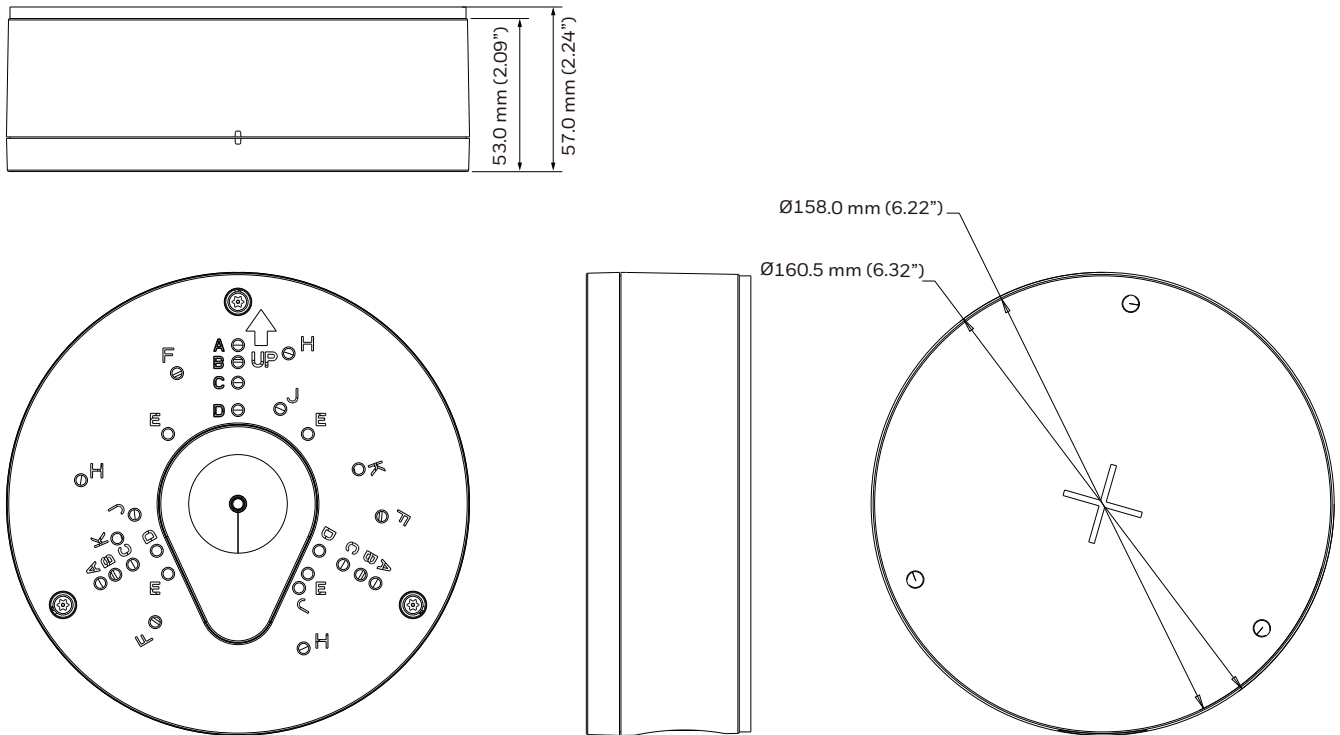
MOUNTS AND ACCESSORIES

DIMENSIONS

HA60BB1



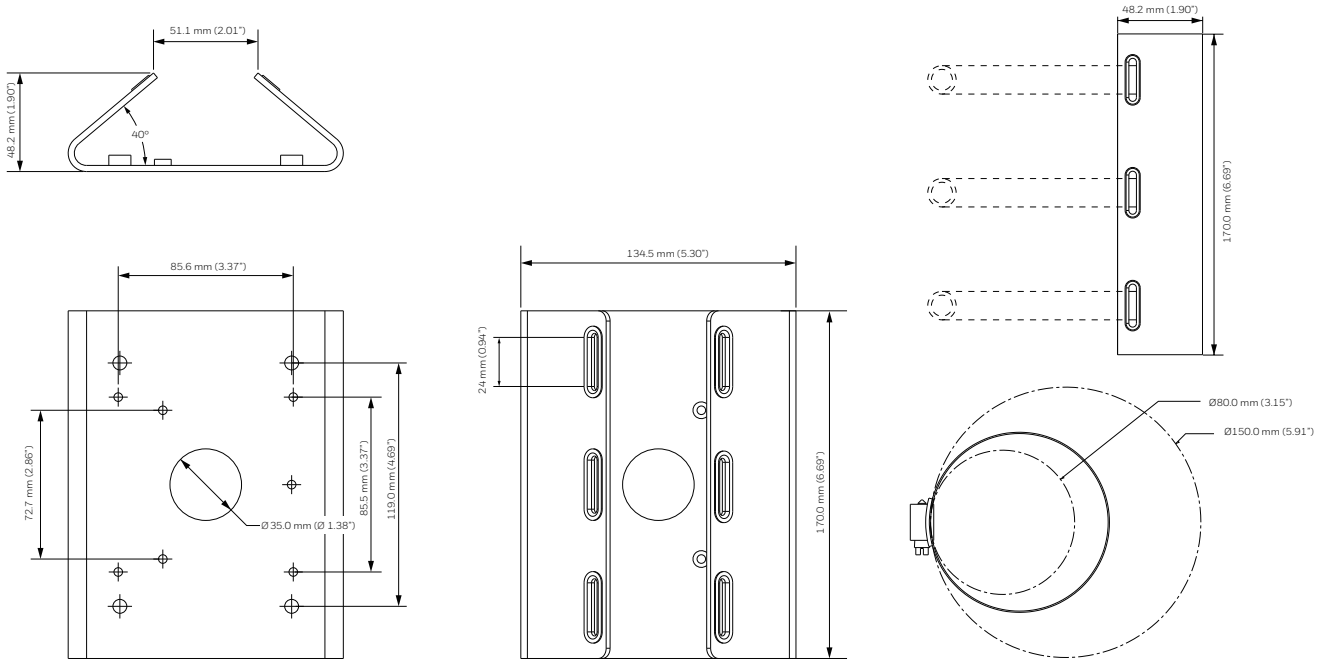
HA60JCBH1



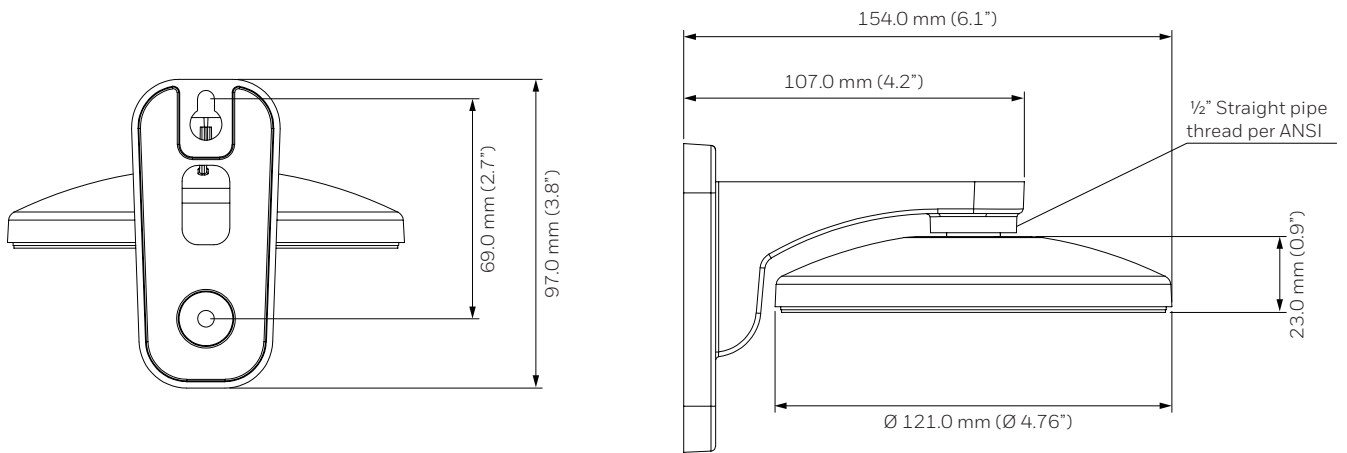
MOUNTS AND ACCESSORIES

DIMENSIONS

HA60PLMZB



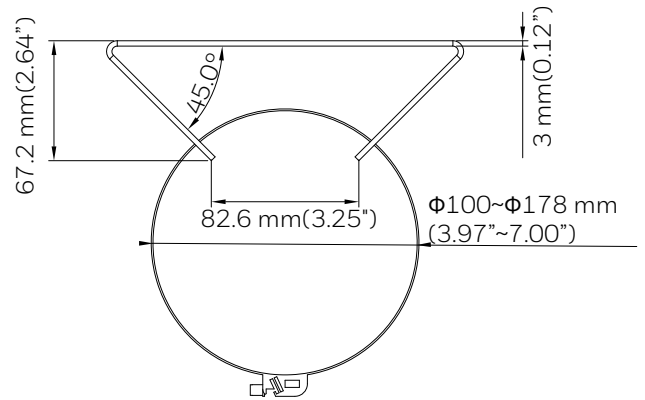
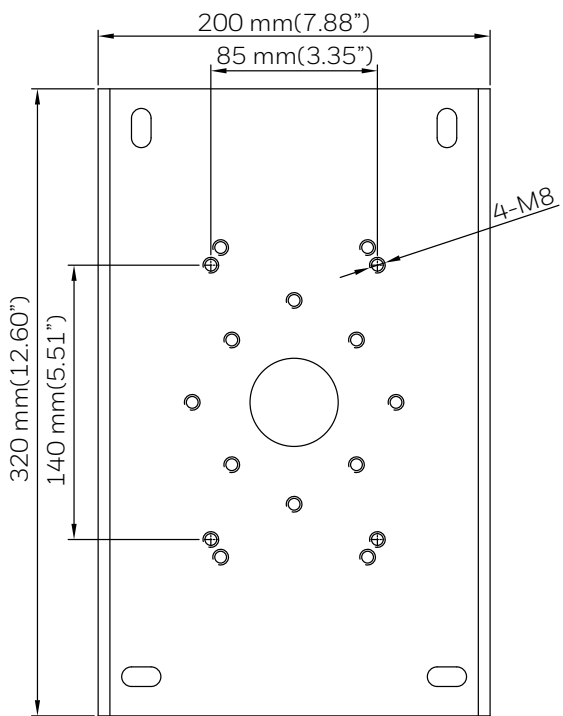
HA60WLM3



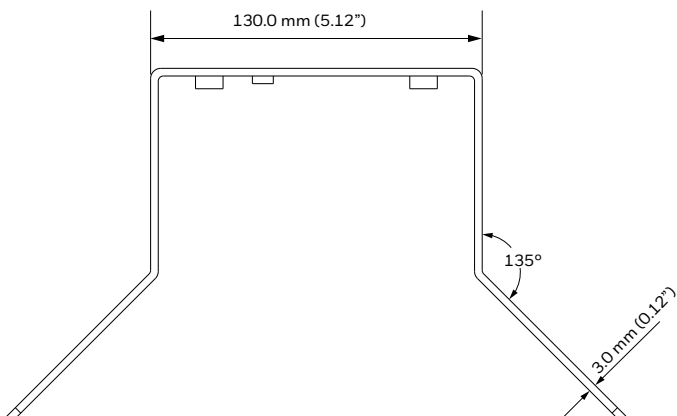
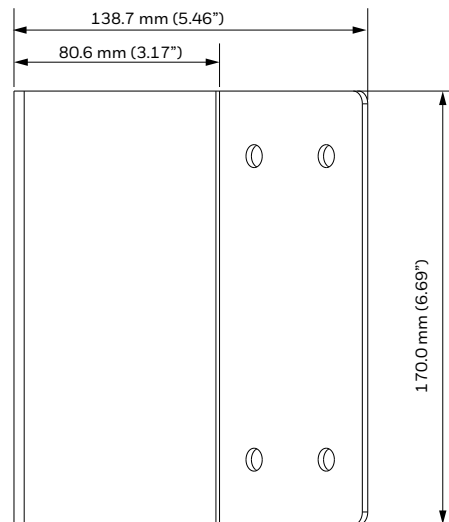
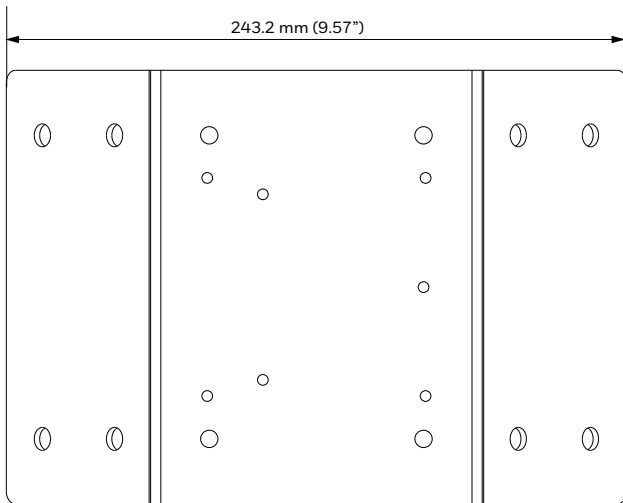
MOUNTS AND ACCESSORIES

DIMENSIONS

HA60PLMZ1



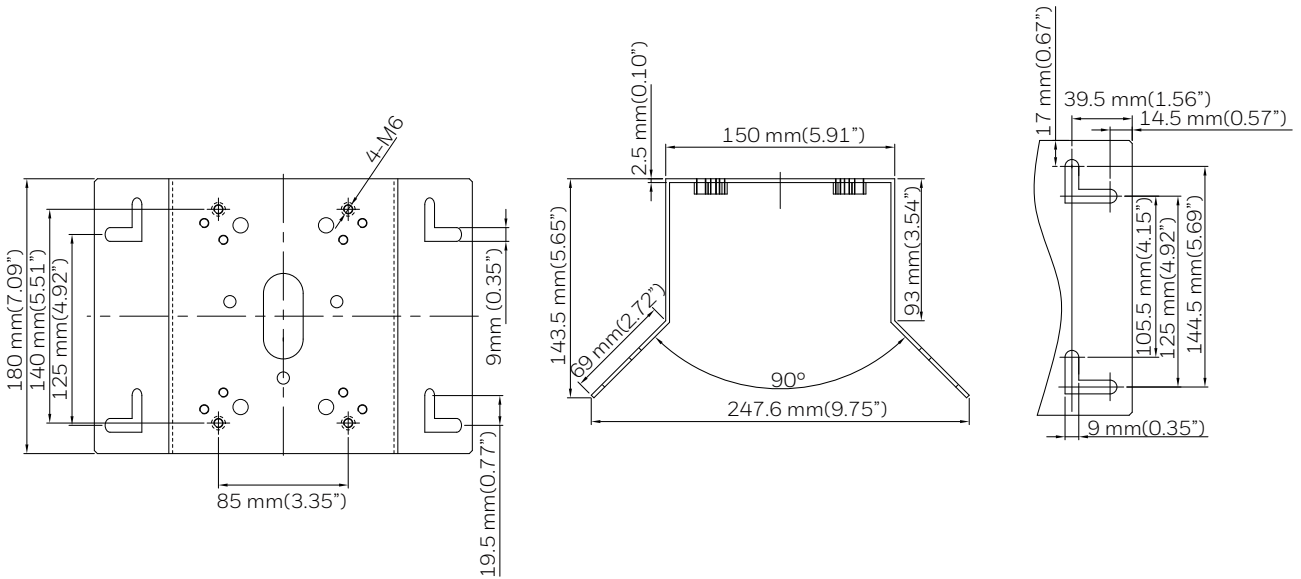
HA60CNMZ



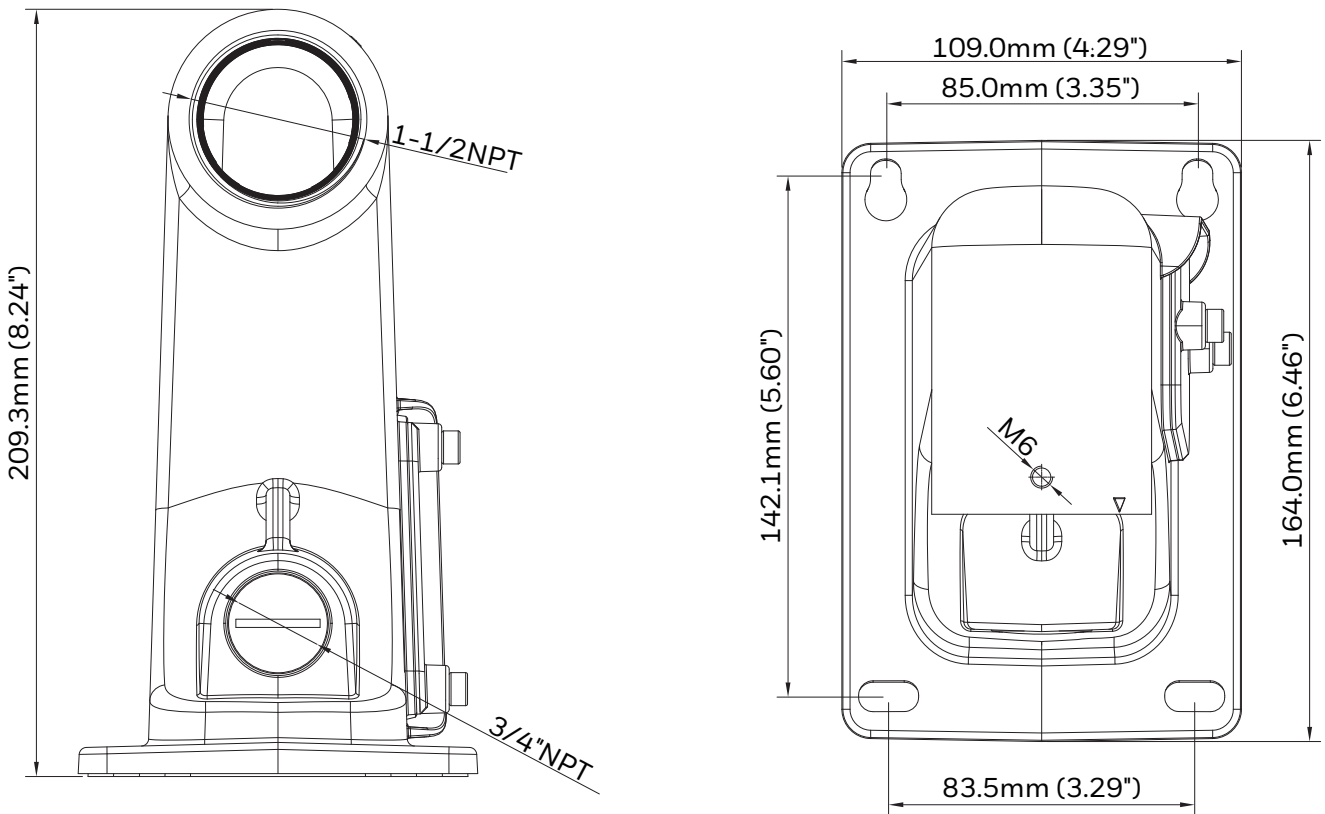
MOUNTS AND ACCESSORIES

DIMENSIONS

HA60CNMZI



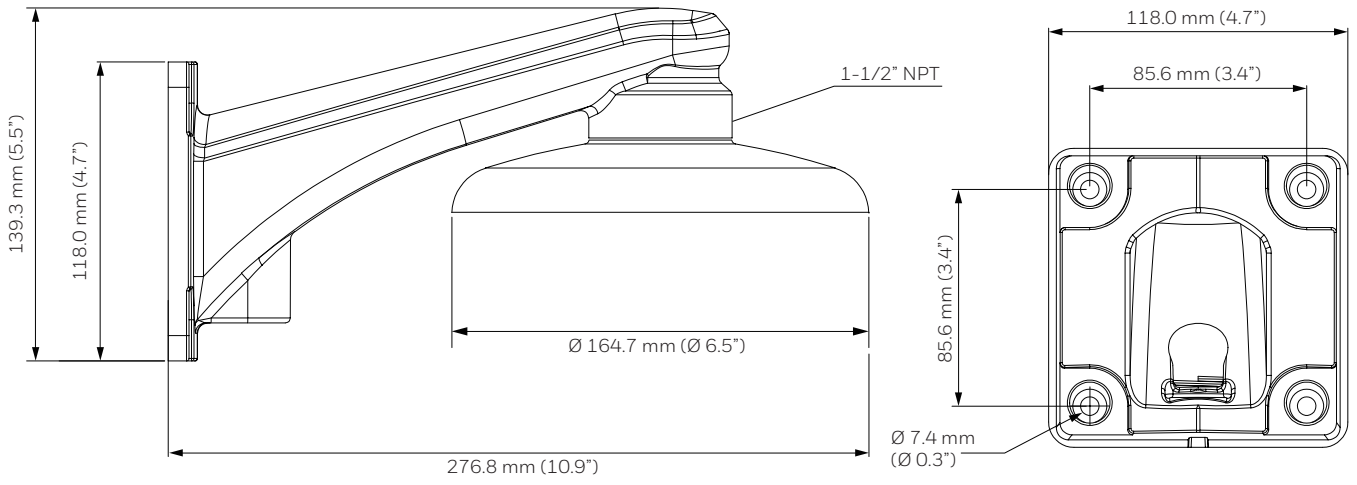
HA60WLMZI



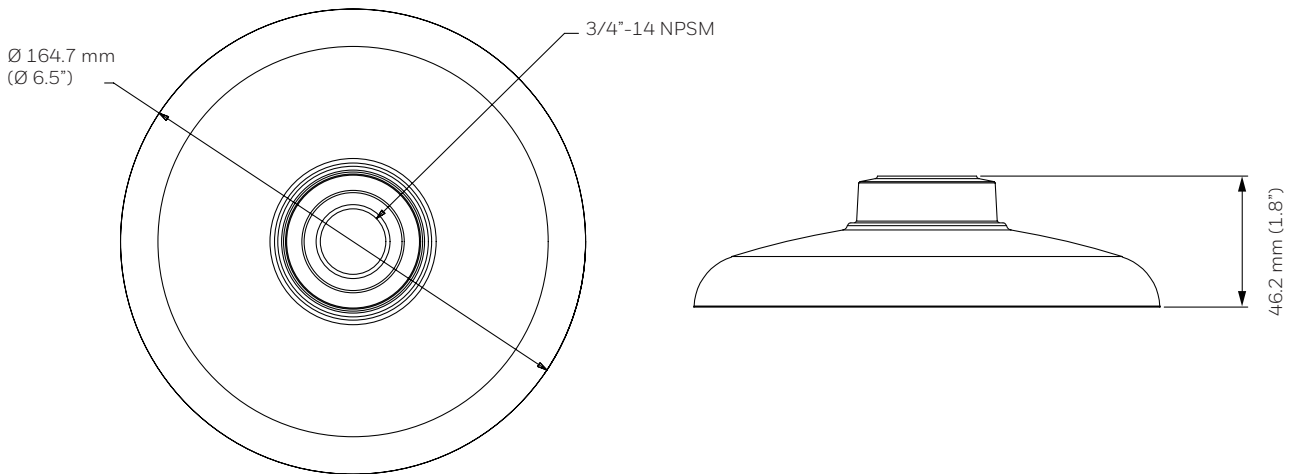
MOUNTS AND ACCESSORIES

DIMENSIONS

HA60WLM4



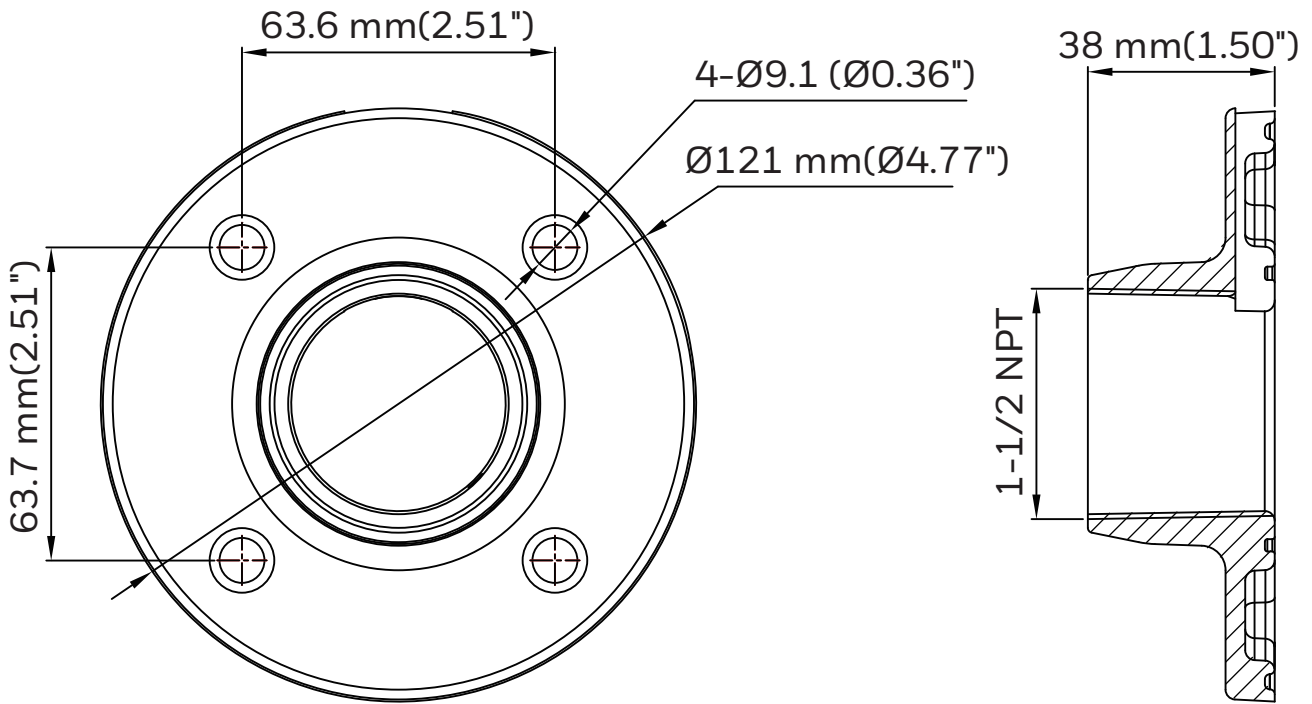
HA60PMC4



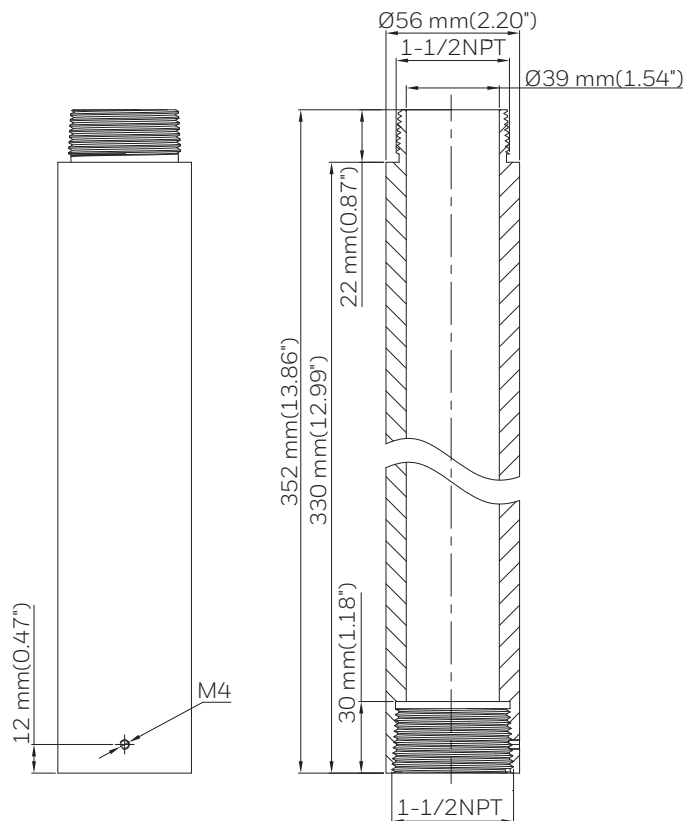
MOUNTS AND ACCESSORIES

DIMENSIONS

HA60CLM01



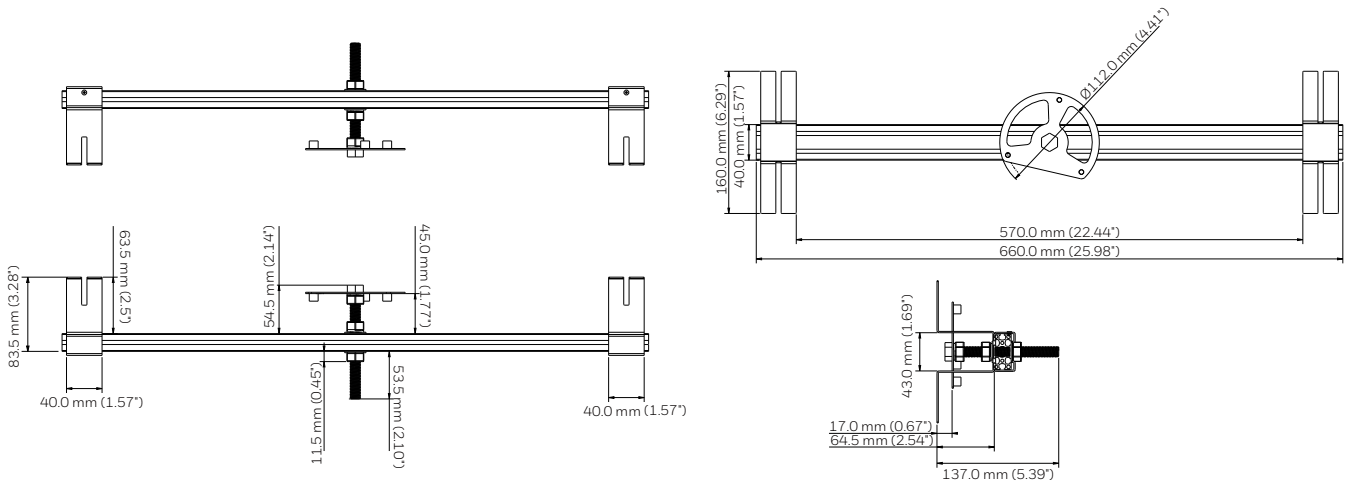
HA60CLM02



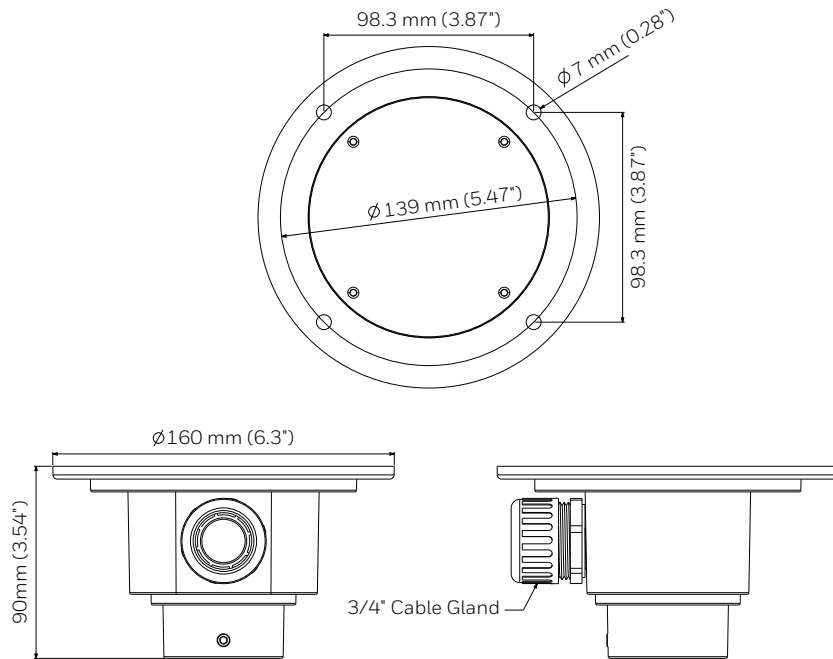
MOUNTS AND ACCESSORIES

DIMENSIONS

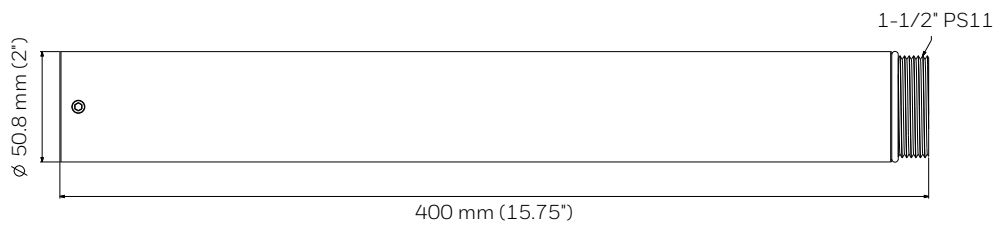
HA60ICMM



HA30PMB01



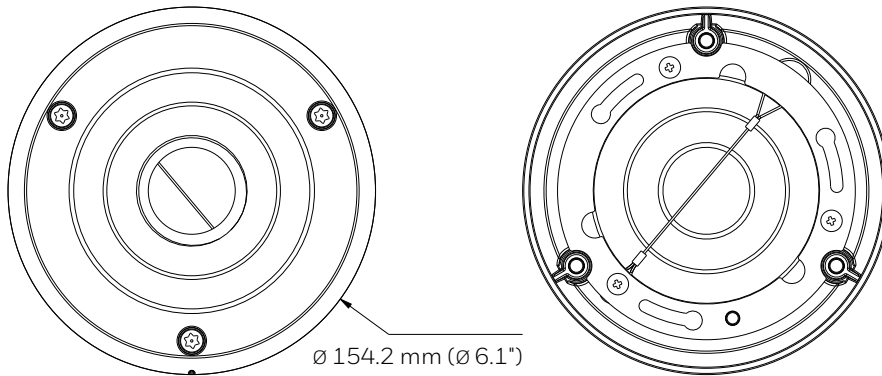
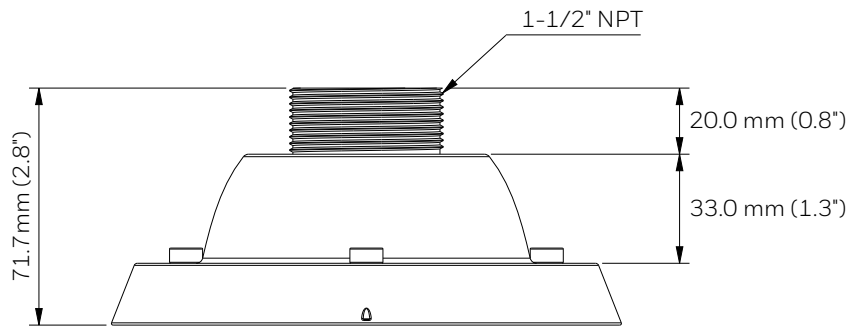
HA30PME02



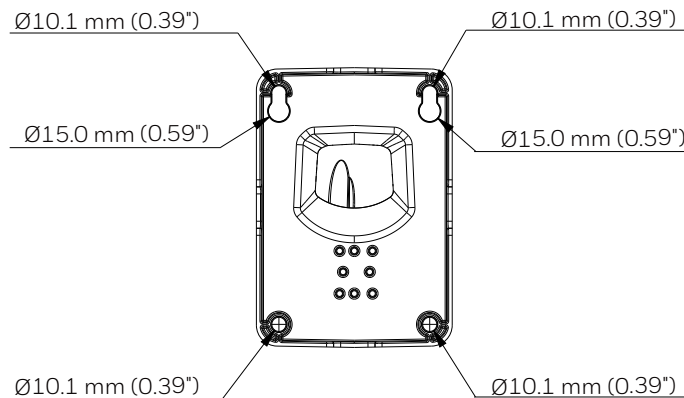
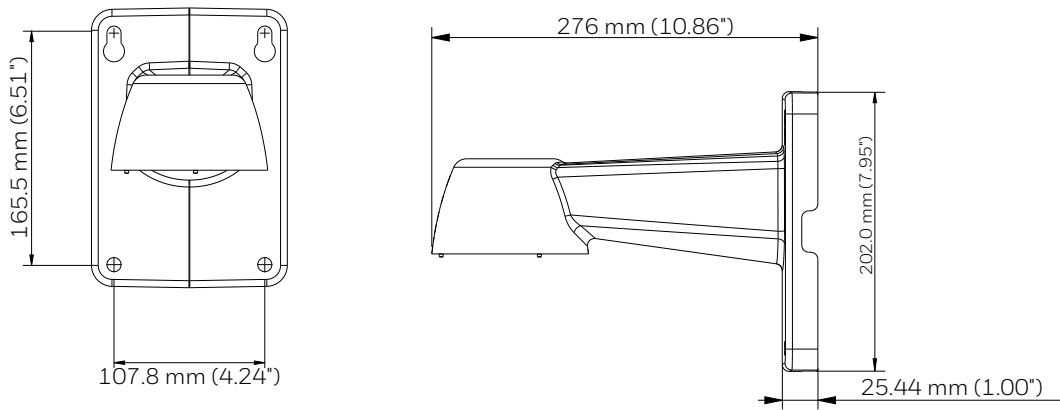
MOUNTS AND ACCESSORIES

DIMENSIONS

HA60PCMZ



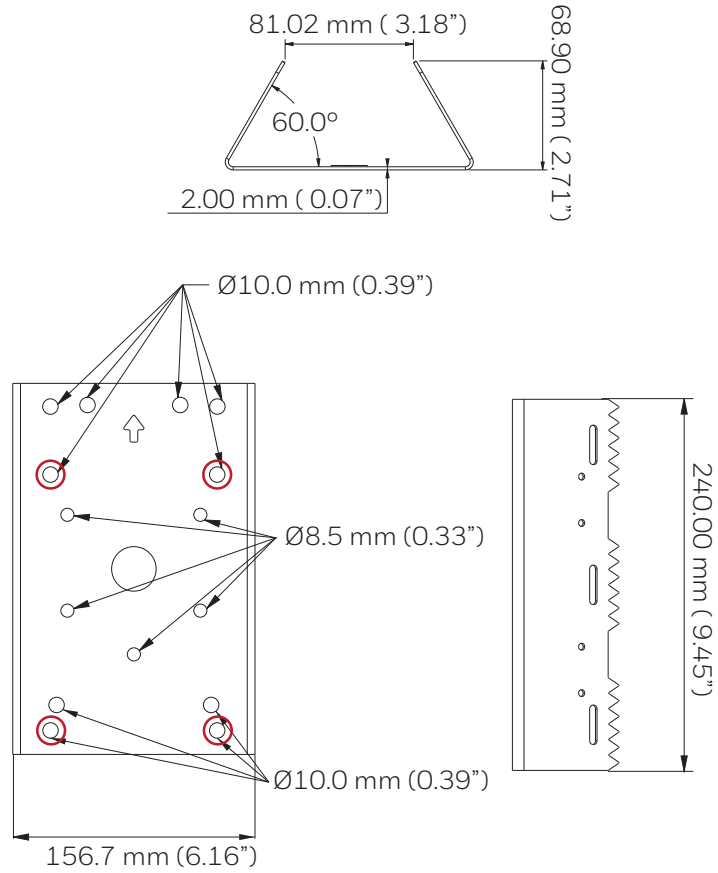
HA60MLMM



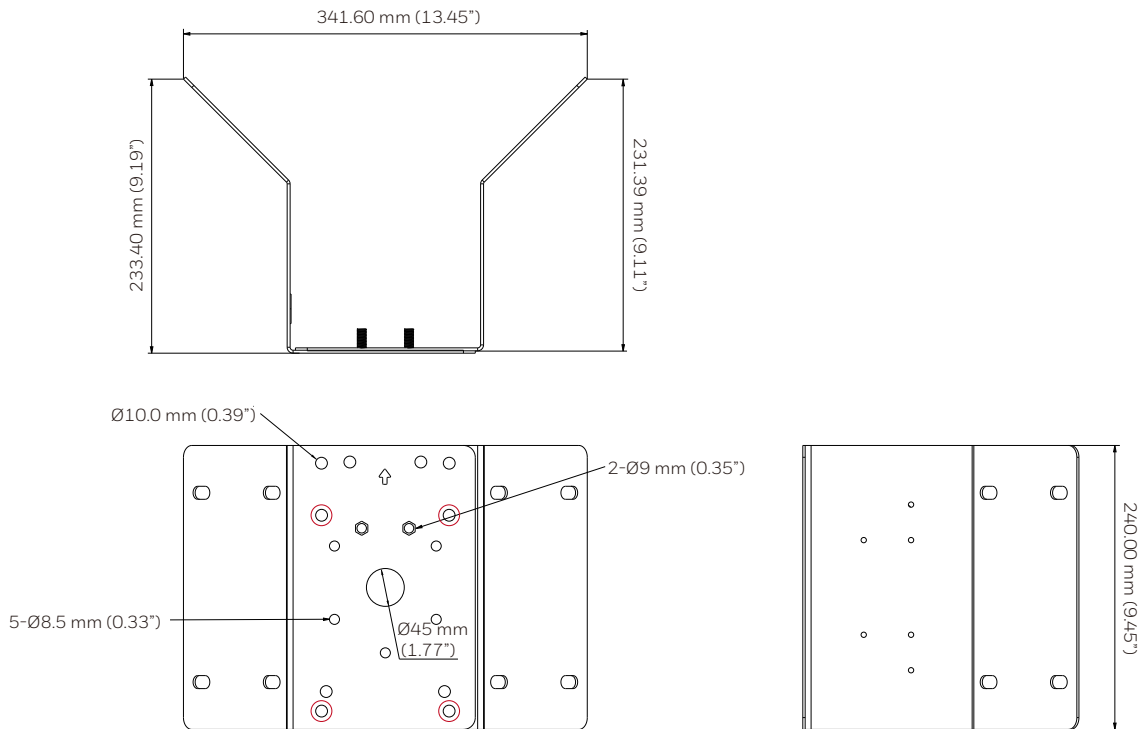
MOUNTS AND ACCESSORIES

DIMENSIONS

HA60PLMM



HA60CNMM



MOUNTS AND ACCESSORIES

ORDERING

MODEL	DESCRIPTION
HA60BB1	Junction box, 60 series outdoor bullet
HA60JCBH1	Dome junction box
HA60PLMZB	PTZ pole mount bracket, white
HA60PLMZI	PTZ pole mount bracket, white
HA60CNMZ	PTZ corner mount bracket, white
HA60CNMZI	PTZ corner mount bracket, white
HA60WLMZI	PTZ wall mount bracket, white
HA60WLM3	Wall mount bracket for 3 inch dome, white
HA60WLM4	Wall mount bracket for 4 inch dome, white
HA60PMC4	Pendent mount adapter, 1.5NPT(outside), 3/4NPT (inside)
HA60WIF	Wifi dongle and USB adapter for camera configuration

MODEL	DESCRIPTION
HA60ICK	Indoor dome in ceiling mount kit
HA60CLM01	PTZ pendent mounting base
HA60CLM02	Pendent extension pipe
HA60ICMM	Multi-sensor in-ceiling mount bracket
HA30PMB01	Pendent mount base
HA30PME02	Pendent mount extend bracket
HA60CNMM	Multi-sensor corner mount bracket
HA60PCMZ	Pendent mount cap
HA60MLMM	Multi-sensor camera wall mount bracket
HA60PLMM	Multi-sensor pole mount bracket

For More Information:

hwl.co/securityAE

hwl.co/securityUK

Building Automation

Commercial Security
 Emaar Business Park, Sheikh Zayed Road
 Building No. 2, 2nd floor, 201
 Post Office Box 232362
 Dubai, United Arab Emirates
 Tel: +971 4 450 5800

Building 5, Carlton Park
 King Edward Avenue
 Narborough, Leicester LE19 0LF
 Tel: +44(0)1163 500714

Honeywell reserves the right, without notification, to make changes in product design or specifications.

HBT-SEC-60S-MNTS-ACC-03-UK(0324)DS-Y
 © 2024 Honeywell International Inc.

Honeywell