

70 SERIES HC70WZ5I30



5MP Network TDN WDR In-Ceiling Speed Dome Camera



OPERATIONAL

Video Standard	NTSC/PAL
Scanning System	Progressive
Image Sensor	IMX335, 1/2.8" CMOS
Sensor Size (H x V)	5.18 x 3.89 mm
Number of Pixels (H x V)	4:3 5MP (2592 x 1944) 16:9 4MP (2560 x 1440)
Minimum Illumination (Color/BW)	Color: 0.005 Lux @ F1.4; B/W: 0 Lux @ F1.4 (IR on)
S/N Ratio	>50 dB
Electronic Shutter Speed	1/1 ~ 1/32000
Day/Night	Auto (ICR) / Color / BW
Backlight Compensation	WDR, BLC, HLC
White Balance	Auto/Fixed Current/Manual
Wide Dynamic Range	130 dB
Noise Reduction	3D DNR
Lens	30x Optical Zoom, Auto Focus, 5.2mm ~ 148.4mm, DC-IRIS, F1.3 ~ F4.8
Angle Of View (H x V x D)	H: 55° ~ 2.64° V: 42° ~ 1.98°
Privacy Masking	Off / On (24 Areas)
Defog	Support
Angle Of View (H x V)	H: 96° ~ 46°, V: 53° ~ 26°
Defog	Support
Encryption Chipset	Built-in FIPS 140-2 certified encryption Chipset
Local Storage	Micro SD/SDHC/SDXC slot, support up to 2TB
Alarm Inputs / Outputs	2 In / 1 Out

PTZ

Pan Speed	0.1° ~ 430° / sec.
Pan Range	360° endless
Tilt Speed	0.1°~200°/sec. (0° to -90° travelling distance)
Tilt Range	0° to -90°, Auto flip (bubble design, mechanical interference applied)*
Preset Locations	256 presets, 16 tours, 4 patterns
Preset Accuracy	0.1°
Auto Pan Scan	Support
Auto Tracking	Support
Auto Resume After Power Failure	Resume to home position

VIDEO

Smart Video Analytics (Built-in)	Intrusion Detection, Loiter Detection, Line crossing, Face Detection, Object left unattended, Object Removed, Motion Detection, Tampering detection
Video Analytics (Additional license required)	People recognition, Face recognition
Compression	H.265 HEVC/H.264/MJPEG, Smart Codec
Resolution	2592 x 1944 (5M), 2688 x 1520 (4M), 2048 x 1536 (3M), 1920 x 1080 (2M), 1280 x 960, 1280 x 720 (1M), 800 x 600, 640 x 480, 640 x 360, 320 x 240
Number of Video Streams	3
Frame Rate Main Stream	30fps (5M mode), 60fps (2M mode)
Frame Rate Second Stream	30fps (5M mode), 60fps (2M mode)
Frame Rate Third Stream	30fps (5M mode), 60fps (2M mode)
Bit Rate	16K ~ 80Mbps

AUDIO

Compression	G.711/G.726
Stream	2-Way, Full duplex
Interface	Line In/Out

NETWORK

Ethernet	10 Base-T/100 Base-TX Ethernet (RJ-45)
Supported Web Browsers	Mozilla Firefox, Chrome, Microsoft Edge
Supported OS	Microsoft Windows 10
Protocols*	IPv4, IPv6, TCP/IP, HTTP, HTTPS, UPnP, RTSP/RTP/RTCP, IGMP/Multicast, SMTP, DHCP, NTP, DNS, DDNS, CoS, QoS, SNMP, 802.1X, UDP, ICMP, ARP, TLS
Interoperability	ONVIF Profile G/S/T
Maximum Users Access	10 Users
Security	User account and password protection, HTTPS, IP Filter, Digest authentication, TLS1.2 only, Stream encryption, AES128/256, SSH/Telnet closed, PCIDSS compliance, FIPS 140-2 certified Chipset Built-In
Languages Supported	English, French, German, Italian, Japanese, Portuguese, Russian, Spanish, Traditional Chinese

ELECTRICAL

Power Supply	48VDC / 24VAC (50/60Hz), POE+
Power Consumption (Max)	25W

MECHANICAL

Dimensions (W x H)	Ø222.0mm x 267.5mm (Ø8.74" x 10.53")
Dome Diameter	Ø151.0mm (Ø5.94")
Product Weight	3.8kg (8.38lb)
Package Weight	4.0kg (8.82lb)
Body Material	Polycarbonate / Metal (die casting aluminum with powder coating)
Color	RAL 120-1 (Honeywell White)/Pantone Black

ENVIRONMENTAL

Operating Temperature	-10°C ~ 50°C (14°F ~ 122°F)
Relative Humidity	10% ~ 90%
Ingress Protection	IP52
Impact Resistance	IK10
Fan	Yes

REGULATORY

Emissions	FCC PART 15, CE (EN 55032), comply with RCM and UKCA
Immunity	CE(EN 50130-4), comply with RCM and UKCA
Safety	UL LISTED TO UL/CSA 62368-1, CE(EN 62368-1), UL/CSA 60950-22, CE(EN 60950-22), comply with UKCA
RoHS	CE(EN 50581), EAC(TR EAEU 037/2016), UAE(Cabinet Decree No.10 of 2017)
Country of Origin	Taiwan

Honeywell

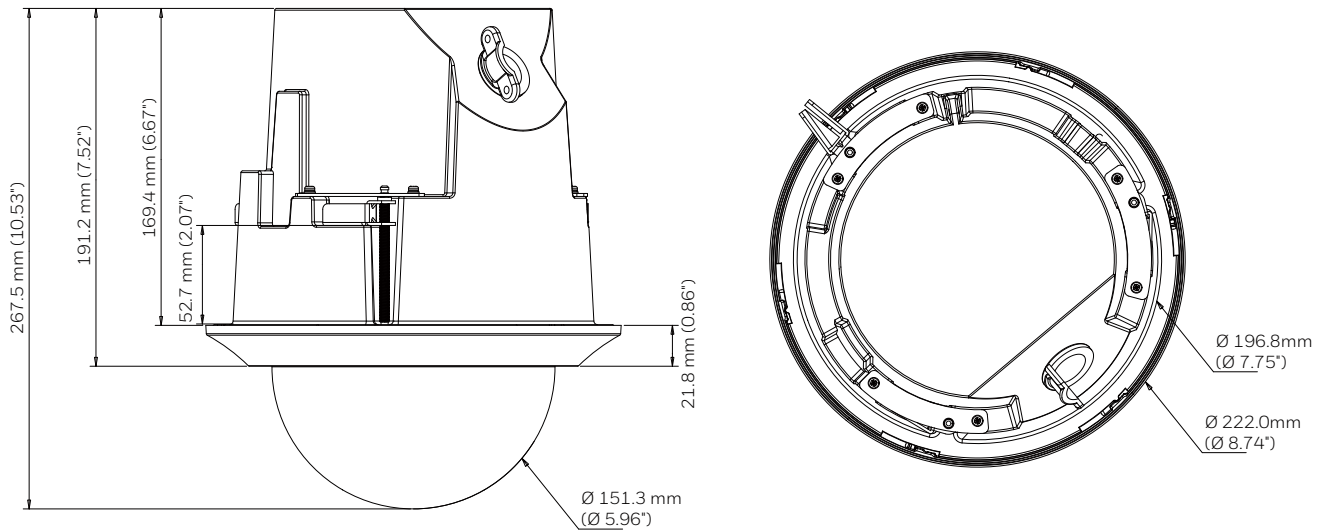
70 SERIES 5MP NETWORK TDN WDR IN-CEILING SPEED DOME CAMERA

SYSTEM COMPATIBILITY	
Pro-Watch NVR	Up to 256 IP Channels RAID5/6 Enterprise NVR
Maxpro NVR PE	Up to 128 IP Channels RAID5/6 Enterprise NVR
Maxpro NVR SE	Up to 64 IP Channels System NVR
Maxpro NVR XE	Up to 16 IP Channels System NVR
Maxpro NVR Software	Up to 128 IP Channels Recording Software
Adpro NVR Fasttrace 2E	Up to 32 IP Channels with up to 32 VA Channels NVRs
Adpro NVR iFT-E	Up to 32 IP Channels with up to 32 VA Channels NVRs
Adpro NVR iFT	Up to 32 IP Channels or 16 IP Channels with up to 16 VA Channels NVRs
Adpro NVR iFT Gateway	4 IP Channels + 4 VA Channels
Honeywell DVM	Supported with Honeywell DVM R700, DVM R620
30 Series NVR	Integration with 30 Series NVR

OPTIONAL MOUNTS AND ACCESSORIES	
HA70SB5	70s In-ceiling PTZ camera Smoked Bubble

ORDERING	
HC70WZ5130	Network TDN WDR In-ceiling Speed Dome Camera, 30X optical zoom, 1/2.8" 5 Megapixel progressive scan CMOS PoE+, H.265

DIMENSIONS



For more information
buildings.honeywell.com/security

Honeywell Commercial Security
 715 Peachtree St. NE
 Atlanta, GA 30308
 1.800.323.4576
www.honeywell.com



ONVIF and the ONVIF logo are trademarks of ONVIF Inc.
 HEVC Advance logo is a trademark of HEVC Advance
 Honeywell reserves the right, without notification, to
 make changes in product design or specifications.

HSV-HC70WZ5130-01-US(1121)DS-Y
 © 2021 Honeywell International Inc.

Honeywell