

70 SERIES OCULUS/AERON

PTZ Video Cameras with Long Range Illumination or Thermal Cameras
For Government and Defense Applications

The Oculus and Aeron cameras are highly modular, ready to go, compact surveillance solutions using HD video and/or thermal cameras which are ideal for short to medium (Oculus) to long (Aeron) range surveillance applications.

The Oculus and Aeron units are both compact and rugged with continuous rotation PTZ cameras that have been specifically designed for marine, harsh and challenging environments. A range of features such as zoom thermal (cooled or uncooled), supported by HD video as well as IR and white light options, make the Oculus and Aeron cameras both versatile and cost-effective.

A wide range of thermal and HD video cameras are available for the Oculus and Aeron, all supplied in cable managed housings for protection in the harshest environments. With belt driven gears as standard, the Oculus and Aeron ensure the capture of stable images even at very long distances over land or water.

All Honeywell-Silent Sentinel Pan and Tilt systems are designed with Absolute Positioning control as standard, so when twinned with radar or any automated control program, it can be driven automatically to any threat detected and remain on target as the threat moves. As with most Honeywell products, the cameras can easily be deployed as a standalone system or a combined or integrated solution to increase performance.

MARKET OPPORTUNITIES

The Oculus and Aeron platforms can be configured and optimized to meet a broad range of applications and operational theaters with the ability to detect, identify, track and react to the surveillance requirements such as Coastal Surveillance, Border Security, Critical Infrastructure, Maritime Security.

FEATURES AND BENEFITS



- Supporting up to 10 km for human detection and 20 km for vehicle detection
- Target Illuminator up to 300m
- 360° continuous rotation
- Compact housing with a wiper as standard
- 1080p full HD resolution



- High performing pan and tilt speeds up to 160° per second
- Highly ruggedized and IP67 compliant
- Integration with Honeywell MaxPro® VMS and other popular video management systems
- Cooled and Uncooled Thermal camera versions
- NDAA Compliant



OCULUS SCOUT



AERON SCOUT



AERON RANGER



AERON SEARCHER

Honeywell

SILENT SENTINEL
VISION & MOTION CONTROL

70 SERIES OCULUS THERMAL / IP VIDEO PTZ CAMERAS

The Oculus is a compact, rugged, continuous rotation PTZ camera that has been specifically designed for marine, harsh and challenging environments. A range of features such as zoom thermal (cooled or uncooled), HD 1080p video as well as IR and white light options, make the Oculus camera a versatile and cost effective solution.

A wide range of thermal and HD video cameras are available for the Oculus, all supplied in cable managed housings for protection in the harshest environments. With belt driven gears as standard, the Oculus ensures the capture of stable images even at very long distances over land or water.

All Honeywell-Silent Sentinel Pan and Tilt systems are designed with Absolute Positioning control as standard, so when twinned with radar or any automated control program it can be driven automatically to any threat detected and remain on target as the threat moves. As with most Honeywell products, the Oculus can easily be deployed as a standalone system or a combined or integrated solution to increase performance.

KEY FEATURES

- Supporting ranges up to 1.1km for human detection and 3.39km for vehicle detection.
- Short to medium range thermal cameras with fixed lens up to 50mm.
- Day/night IP HD 1080p low light color cameras.
- Thermal camera contrast enhancements.
- Focal length dependent speed control (zoom).
- Anti fog, anti haze, image stabilization, autofocus and auto tracking capabilities.
- Absolute positioning feedback for radar control.
- 360° continuous rotation.
- High performing pan and tilt speeds up to 180° per second.
- Virtually zero backlash with automatic self position correction.
- Optical encoders for preset accuracy (0.05° repeatability).
- Compact housings with wipers as standard*.
- ONVIF Profile S compliant.
- Highly ruggedized for extreme and marine environments.
- IP67, REACH, ROHS & CE Compliant.
- Various options available



OCULUS WITH THERMAL CAMERA



OCULUS WITH LONG RANGE ILLUMINATOR



IMAGE ENHANCEMENT



HD IMAGE FUSION



GYRO

70 SERIES OCULUS THERMAL / IP VIDEO PTZ CAMERAS

TECHNICAL SPECIFICATIONS

Part Number	HRC3-SCOUT-14-W	HRC3-SCOUT-35-W	HRC3-SCOUT-50-W
THERMAL CAMERA			
Lens	14mm F1.4	35mm F1.2	50mm F1.2
Field of View	44°	17.6°	12.4°
Detector	Uncooled VOx Microbolometer		
Resolution	640 x 480		
Pixel Size	17µm		
Spectral Band	8 to 14 µm (LWIR)		
Sensitivity	< 50 mK (NETD) f/1.0 @ room temperature		
Frequency	25Hz (9Hz, 30Hz options)		
Digital Zoom and Pan	4x Digital zoom, Region of Interest		
Digital Video	14/8-bit LVCMOS/Camera Link®		
Video Output	IP and Composite (PAL / NTSC)		
Window	Germanium thermal optical quality glass, with a Low Reflection Hard Carbon (HCLR) coating		
Focus	Fixed, preset with Athermalization		
Image Stabilization	Yes (cost option)		
Image Control	Polarity: White Hot / Black Hot, Orientation: Invert / Revert		
Detection * (Human / Vehicle)	305m / 950m	770m / 2370m	1100m / 3390m
Recognition * (Human / Vehicle)	75m / 240m	190m / 580m	275m / 850m
Identification * (Human / Vehicle)	50m / 150m	120m / 360m	170m / 520m

* Johnson criteria: Human at 1.8m x 0.5m, vehicle at 2.3m², Detection at 2 pixels, Recognition at 8 pixels and Identification at 13 pixels. 50% probability subject to environmental conditions.

VISIBLE CAMERA (ALL MODELS)

Focal Length	4.3-129mm / F1.6-4.7 autofocus motorized zoom lens (30x)		
Image Sensor	1/2.8" CMOS Exmor (2.13MP)		
Resolution	1920 x 1080		
Field of View (Horiz)	63.7° (W) to 2.32° (T)		
Minimum Sensitivity	0.01 lux (Color), 0.0008 lux (B&W)		
White Balance	Auto, push and manual		
ALC	Auto / manual		
Shutter	1/1 s to 1/10,000		
Day/Night Mode	Auto, color, B&W		
Backlight Comp.	On / off		
Noise Reduction	Yes		
Digital Zoom	12x (360x combined)		
Video Output	IP		
Window	High Definition optical quality glass, with a low reflection and water resistant coating		
Defog	Yes		
Image Stabilisation	Yes		

IMAGE PROCESSING

Video Compression	H.264/MPEG4 Part 2, M-JPEG (H.265 option available up on request)		
H.264 Performance	Total D1 at 390 fps or Full HD 1080p at 65 fps Examples: 2x 1080p at 30 fps (HD video/thermal) or 2x D1 at 30 fps (thermal / SD)		
Image Processing	Image resizing and scaling ratio, noise reduction, edge enhancement (sharpness), ROI based video compression		
Software Update	Remote / IP accessible		
Other Features	Email Notifications, Text Overlay		

VIDEO CAMERAS ONLY

Part Number	HRC3-50IYJ30XW	HRC3-52IYJ30X-RAW	HRC3-52IYJ30X-WAW	HRC3-52IYJ30X-HAW
ILLUMINATION (RANGES SUBJECT TO CAMERA LUX SENSITIVITY)				
Infra Red 850nm (IR)	-	up to 200m range	-	-
White Light (WL)	-	-	up to 200m range	-
Hybrid IR & WL	-	-	-	up to 150m range

70 SERIES OCULUS THERMAL / IP VIDEO PTZ CAMERAS

TECHNICAL SPECIFICATIONS

Part Number	HRC3-SCOUT-xx-W, HRC3-501YJ30XW, HRC3-521YJ30X-RAW, HRC3-521YJ30X-WAW, HRC3-521YJ30X-HAW
-------------	---

ELECTRICAL AND MECHANICAL

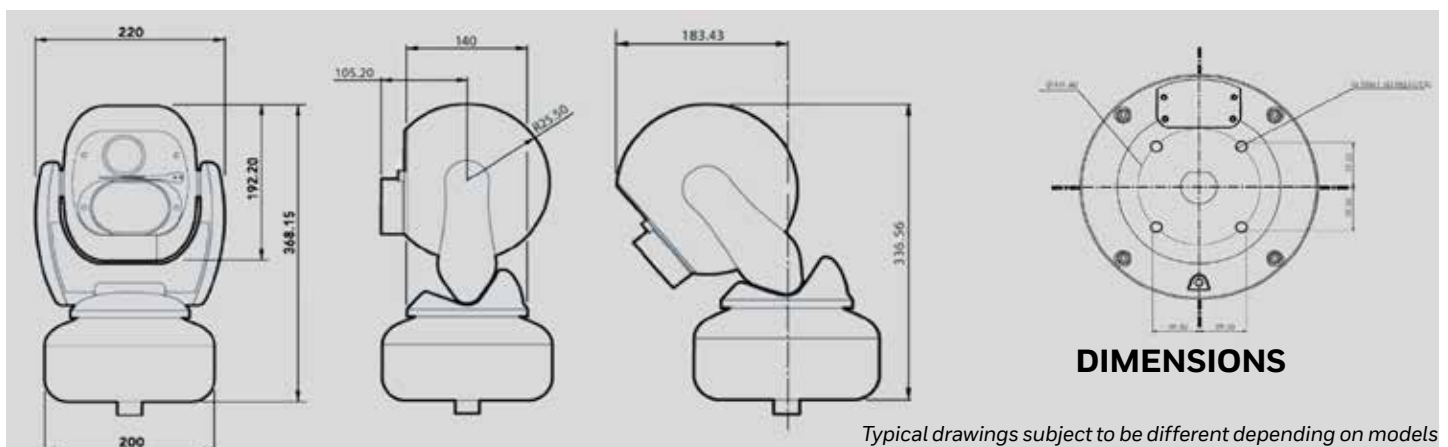
Camera Construction	Die-cast hard anodized aluminium with A4 stainless fittings
Repeatability	0.05°
Optical Encoder Preset Accuracy	0.01°
Pan Rotation	360° Continuous
Pan Speed	Up to 180° per second (excluding ramping)
Tilt Range	+90° to -30° upright (-68° inclined), +30° to -90° inverted
Tilt Speed	Up to 180° per second (excluding ramping)
Speed Control	Zoom dependant speed control
Position Control	Capable of retraining position without drift. Automatic position recovery if forced away by a 'non-control' intervention
Motor Drive	Long life toothed polypropylene belt drive, Pulleys bonded to keypad shafts for minimum backlash
Rotational Contacts	Heavy duty slip rings for power, data, video and switching for washer
Pan / Tilt Bearings	Sealed for life – no maintenance required
Actuation	Pan and tilt stepper motors
Position Encoders	Optical encoders on pan and tilt motors
Mounting Profile	Upright or inverted
IP rating	IP67
Temperature Range	-20°C (-4°F) Up to 65°C (149°F) (-40°C with optional heater)
Power	14 to 36VDC or 14 to 26VAC, 45W peak (100W with optional heater) (20W typical in low power mode when idle without heater)
Fixing Material	Stainless steel with external fall protection
Housing Finish	White powder marine grade paint finish (other colors are available upon request)
Weight (typical)	7kg (15.43lb)
Turning Diameter	220mm / 8.66" Normal - 370mm / 14.57" Offset
Height (typical)	370mm / 14.57" Normal - 340mm / 13.86" Offset

TELEMETRY

Presets	127x Preset positions, 16x preset tours (maximum of 60 positions each), four 8 minute mimic tours
Protocols	Pelco-D, Pelco P, Pelco D Extended, CBC OCP485, Forward Vision Mic1 FV300, Philips, Vicon, SSP, ONVIF Profile-S
Interface	IP, RS485 (not IP)
Privacy Zones	Yes
Positioning	Absolute positioning
Additional features	Programmable text within picture (camera ID), parameter control (RS232 or RS485) TCP/IP prepared, compass heading (cardinal point and/or degrees), focal length dependant pan and tilt control, in built real time clock and date

NETWORK

Ethernet	10/100 Base-T
Connectivity	Cat5e via multicore cable tail/PSU (RJ45)
Configuration	Via web browser
Network Protocols	Networking: IPv4/v6, UDP, TCP, IGMP, ARP, DHCP, DNS, NT, Streaming: RTSP, RTP, HTTP, Web Sockets, Management: HTTP, HTTPS, Bonjour, ONVIF, PSIA, ION API, SNMP, SMTP, Security: Basic / Digest Authentication, SSL
Latency	Can reach less than 100ms latency



70 SERIES AERON THERMAL / IP VIDEO PTZ CAMERAS

The Aeron unit is a compact, rugged and continuous rotation PTZ camera that has been specifically designed for marine, harsh and challenging environments. With a range of features such as zoom thermal, cooled or uncooled thermal, supported by HD video as well as IR and white light options, make the Aeron a versatile and cost-effective solution.

A wide range of thermal and HD video cameras are available for the Aeron, all supplied in cable managed housings for protection in the harshest environments. With belt driven gears as standard the Aeron ensures the capture of stable images even at very long distances over land or water.

All Honeywell-Silent Sentinel Pan and Tilt systems are designed with Absolute Positioning control as standard, so when twinned with radar or any automated control program it can be driven automatically to any threat detected and remain on target as the threat moves. As with most Honeywell products the Aeron can easily be deployed as a standalone system or a combined or integrated solution to increase performance..

KEY FEATURES

- Supporting ranges up to 10.97km for human detection and 20.1km for vehicle detection.
- Long range thermal cameras with zoom (up to 300mm).
- HD Low Light and Ultra Low Light. 0.0006lux color cameras.
- Hybrid (IR+White) Light Illumination options (up to 300m).
- Thermal camera contrast enhancements.
- Focal length dependent speed control (zoom).
- Anti fog, anti haze, image stabilization, autofocus and auto tracking capabilities.
- Absolute positioning feedback for radar control.
- 360° continuous rotation.
- High performing pan and tilt speeds up to 160° per second.
- Virtually zero backlash with automatic self position correction.
- Optical encoders for preset accuracy (0.05° repeatability).
- Compact housings with wipers as standard*.
- ONVIF Profile S compliant.
- Highly ruggedized for extreme and marine environments.
- IP67, REACH, ROHS & CE Compliant.
- Various options available.



AERON SCOUT CAMERA



AERON RANGER CAMERA



AERON SEARCHER CAMERA

70 SERIES AERON THERMAL / IP VIDEO PTZ CAMERAS

TECHNICAL SPECIFICATIONS

Part Number	HRC4-SCOUT-65-W	HRC4-SCOUT-100-W	HRC4-RANGER-100-W	HRC4-RANGER-105 W	HRC4-RANGER-150-W	HRC4SEARCHER300W
THERMAL CAMERA						
Lens	65mm F1.2	100mm F1.6	15-100mm F1.4	26-105mm F1.6	50-150mm F1.6	15-300mm F4
Field of View	9.6°	6.2°	42.2° to 6.2°	25.3° to 5.9°	12.5° to 4.1°	35.5° to 1.83°
Detector	Uncooled VOx Microbolometer					Cooled InSb FPA
Resolution	640 x 480					640 x 512
Pixel Size	17µm					15µm
Spectral Band	8 to 14 µm (LWIR)					3.4 to 5.1 µm (MWIR)
Sensitivity	< 50 mK (NETd) f/1.0 @ room temperature					< 25 mK (NETd) @ room temperature
Frequency	25Hz (9Hz, 30Hz options)					25Hz (30Hz option)
Cooler Type	N/A					Stirling cycle, integrated (20,000hrs)
Cool Down Time	N/A					< 10 Minutes, 6 minutes typical
Digital Zoom and Pan	4x Digital zoom, Region of Interest					4x
Video Output	IP and Composite (PAL / NTSC)					
Window	Germanium thermal optical quality glass, with a Low Reflection Hard Carbon (HCLR) coating					Vanadium thermal optical quality glass, with a Low Reflection Hard Carbon (HCLR) coating
Focus	Fixed, preset with Athermalization	Manual motorized focus with Athermalization			Manual motorized focus with push autofocus and Athermalization	
Image Stabilisation	Yes (cost option)					Yes
Image Enhancement	Contrast enhancement					Linear AGC, CLAHE, LAP
Image Control	Polarity: White Hot / Black Hot, Orientation: Invert / Revert					Noise reduction, sharpen, alpha-blend. Palettes: Black-hot, white-hot, ironbow, rainbow + more
Detection (Human / Vehicle)	1430m / 4400m*	2200m / 6760m*	2200m / 6760m*	2300m / 7100m*	3290m / 10150m*	10970m / 20110m**
Recognition (Human / Vehicle)	360m / 1100m*	550m / 1690m*	550m / 1690m*	580m / 1780m*	830m / 2540m*	2360m / 8790m**
Identification (Human / Vehicle)	220m / 680m*	340m / 1040m*	340m / 1040m*	360m / 1090m*	510m / 1560m*	1440m / 5960m**

* Johnson criteria: Human at 1.8m x 0.5m, vehicle at 2.3m², Detection at 2 pixels, Recognition at 8 pixels and Identification at 13 pixels. 50% probability subject to environmental conditions.

** Ranges are based upon 50% probability on a MODTRAN standard atmosphere. Detailed NVIPM calculation notes available upon request.

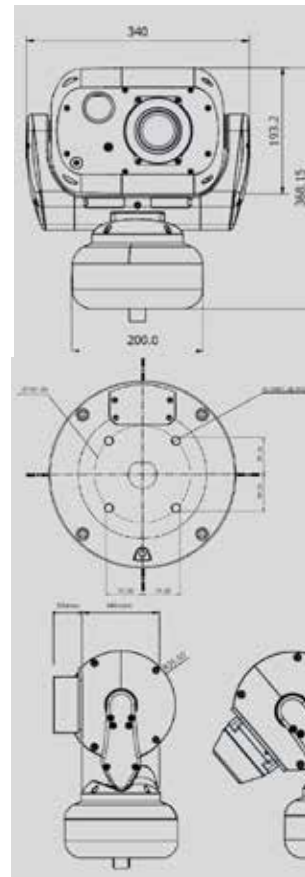
VISIBLE CAMERA

Focal Length	4.3-129mm / F1.6-4.7 (30x)
Focus	Autofocus and motorized manual zoom lens
Image Sensor	1/2.8" CMOS Exmor (2.13MP)
Resolution	1920 x 1080
Field of View (Horiz)	63.7° (W) to 2.32° (T)
Minimum Sensitivity	0.01 lux (Color), 0.0008 lux (B&W)
White Balance	Auto, push and manual
ALC	Auto / manual
Shutter	1/1 s to 1/10,000
Day/Night Mode	Auto, color, B&W
Backlight Comp.	On / Off
Noise Reduction	Yes
Digital Zoom	12x (360x combined)
Video Output	IP
Window	High Definition optical quality glass, with a low reflection and water resistant coating
Defog	Yes
Image Stabilization	Yes

NETWORK

Ethernet	10/100 Base-T
Connectivity	Cat5e via multicore cable tail/PSU (RJ45)
Configuration	Via web browser
Network Protocols	Networking: IPv4/v6, UDP, TCP, IGMP, ARP, DHCP, DNS, NT, Streaming: RTSP, RTP, HTTP, Web Sockets, Management: HTTP, HTTPS, Bonjour, ONVIF, PSIA, ION API, SNMP, SMTP, Security: Basic / Digest Authentication, SSL
Latency	Can reach less than 100ms latency

DIMENSIONS



Typical drawings - dimensions may vary by model. Further detailed drawings available on request

70 SERIES AERON THERMAL / IP VIDEO PTZ CAMERAS

TECHNICAL SPECIFICATIONS

Part Numbers	HRC4-SCOUT HRC4-RANGER, HRC4SEARCHER
--------------	---

ELECTRICAL AND MECHANICAL

Camera Construction	Die-cast hard anodized aluminium with A4 stainless fittings
Repeatability	0.05°
Optical Encoder Preset Accuracy	0.01°
Pan Rotation	360° Continuous
Pan Speed	Up to 180° per second (excluding ramping)
Tilt Range	+90° to -30° upright (-68° inclined), +30° to -90° inverted
Tilt Speed	Up to 180° per second (excluding ramping)
Speed Control	Zoom dependant speed control
Position Control	Capable of retraining position without drift. Automatic position recovery if forced away by a 'non-control' intervention
Motor Drive	Long life toothed polypropylene belt drive, Pulleys bonded to keypad shafts for minimum backlash
Rotational Contacts	Heavy duty slip rings for power, data, video and switching for washer
Pan / Tilt Bearings	Sealed for life – no maintenance required
Actuation	Pan and tilt stepper motors
Position Encoders	Optical encoders on pan and tilt motors
Mounting Profile	Upright or inverted
IP rating	IP67
Temperature Range	-20°C (-4°F) Up to 65°C (149°F) (-40°C with optional heater)
Power	14 to 36VDC or 14 to 26VAC, 60W peak (100W with optional heater) (20W typical in low power mode when idle without heater)
Fixing Material	Stainless steel with external fall protection
Housing Finish	White powder marine grade paint finish (other colors are available upon request)
Weight (typical)	10.6kg (23.3lb)
Height (typical)	370mm / 14.57" Normal - 340mm / 13.86" Offset

IMAGE PROCESSING

Video Compression	H.264/MPEG4 Part 2, M-JPEG (H.265 option available up on request)
H.264 Performance (1080p Camera)	Total D1 at 390 fps or Full HD 1080p at 65 fps Examples: 2x 1080p at 30 fps (HD video/thermal) or 2x D1 at 30 fps (thermal / SD)
H.264 Performance (4k 8.51MP Camera)	30 fps at 3840x2160 and 30 fps at 1080p (H.265 available as standard)
H.264 Performance (4k 12.2MP Camera)	30 fps at 3840 x 2160 (supports up to 20 clients/connections over 5 streams) (various resolutions from 320 x 180 available)
Image Processing	Image resizing and scaling ratio, noise reduction, edge enhancement (sharpness), ROI based video compression
Software Update	Remote / IP accessible
Other Features	Email notifications, Text overlay

TELEMETRY

Presets	127x Preset positions, 16x preset tours (maximum of 60 positions each), four 8 minute mimic tours
Protocols	Pelco-D, Pelco P, Pelco D Extended, CBC OCP485, Forward Vision Mic1 FV300, Philips, Vicon, SSP, ONVIF Profile-S
Parameter Programming	IP, RS485 (not IP)
Privacy Zones	Yes
Positioning	Absolute positioning
Additional features	Programmable text within picture (camera ID), parameter control (RS232 or RS485) TCP/IP prepared, compass heading (cardinal point and/or degrees), focal length dependant pan and tilt control, in built real time clock and date

VIDEO CAMERAS ONLY

Part Number	HRC4-52IYJ30X-HA2W
-------------	---------------------------

ILLUMINATION (RANGES SUBJECT TO CAMERA LUX SENSITIVITY)

Hybrid IR & WL	up to 300m range
----------------	------------------

70 SERIES AERON/OCULUS THERMAL / IP VIDEO PTZ CAMERAS

OCULUS AND AERON - ORDERING INFORMATION - GOVERNMENT AND DEFENSE

PTZ VIDEO CAMERA WITH FIXED LENS THERMAL CAMERA

HRC3-SCOUT-14-W	Oculus Scout : 640x480, 17µm, 25Hz, 14mm F1.4 thermal fixed lens camera - 1080p / 4.3-129mm (30x) zoom lens video camera, white
HRC3-SCOUT-35-W	Oculus Scout : 640x480, 17µm, 25Hz, 35mm F1.2 thermal fixed lens camera - 1080p / 4.3-129mm (30x) zoom lens video camera, white
HRC3-SCOUT-50-W	Oculus Scout : 640x480, 17µm, 25Hz, 50mm F1.2 thermal fixed lens camera - 1080p / 4.3-129mm (30x) zoom lens video camera, white
HRC4-SCOUT-65-W	Aeron Scout : 640x480, 17µm, 25Hz, 65mm F1.2 thermal fixed lens camera - 1080p / 4.3-129mm (30x) zoom lens video camera, white
HRC4-SCOUT-100-W	Aeron Scout : 640x480, 17µm, 25Hz, 100mm F1.6 thermal fixed lens camera - 1080p / 4.3-129mm (30x) zoom lens video camera, white

PTZ VIDEO CAMERA WITH ZOOM LENS THERMAL CAMERA

HRC4-RANGER-100-W	Aeron Ranger : 640x480, 17µm, 25Hz, 15mm-100mm, F1.4 thermal zoom lens camera - 1080p / 4.3-129mm (30x) zoom lens video camera, white
HRC4-RANGER-105-W	Aeron Ranger : 640x480, 17µm, 25Hz, 26mm-105mm, F1.6 thermal zoom lens camera - 1080p / 4.3-129mm (30x) zoom lens video camera, white
HRC4-RANGER-150-W	Aeron Ranger : 640x480, 17µm, 25Hz, 50mm-150mm, F1.6 thermal zoom lens camera - 1080p / 4.3-129mm (30x) zoom lens video camera, white
HRC4SEARCHER300W	Aeron Searcher : 640x512, 15µm, 25Hz, 15mm-300mm, F4.0 thermal zoom lens camera with image stabilisation and auto focus - 1080p / 4.3-129mm (30x) zoom lens video camera, white

PTZ VIDEO CAMERA

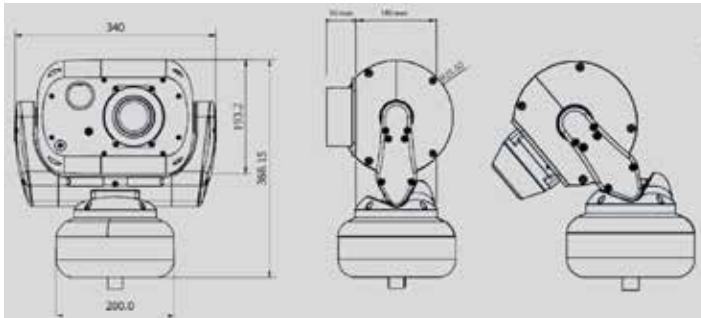
HRC3-50IJ30XW	Oculus : 1080p, IP, 4.3-129mm (30x optical zoom lens) video camera, white
HRC3-52IJ30X-RAW	Oculus : 1080p, IP, 4.3-129mm (30x optical zoom lens) video camera with built in infra-red illumination (up to 200m), white
HRC3-52IJ30X-WAW	Oculus : 1080p, IP, 4.3-129mm (30x optical zoom lens) video camera with built in white light illumination (up to 200m), white
HRC3-52IJ30X-HAW	Oculus : 1080p, IP, 4.3-129mm (30x optical zoom lens) video camera with built in infra-red and white light hybrid illumination (up to 150m), white
HRC4-52IJ30X-HA2W	Aeron Hyperion : 1080p, IP, 4.3-129mm (30x optical zoom lens) video camera with built in infra-red and white light hybrid illumination (up to 300m), white

ACCESSORIES

HRC-PSB1-N	Power supply unit for IP camera	HRC3-SPC-W	Oculus sun shield, white color
HCA-UCM-05	5 metre cable for IP/analogue cameras	HRC3-BD-W	Oculus bird spike, white color
HCA-UCM-10	10 metre cable for IP/analogue cameras	HRC-SWA	Oculus washer nozzle
HUCM-01	Price per metre to extend the above cables	HRC-SWA2	Oculus IR / WL / thermal washer nozzle
HRC-TMP-W	Tower mount adaptor, white color	HRC-2XGYRO	Oculus / Aeron Gyro stabilization - 2 axis
HRC-PMG-W	Swan neck, white color	HRC4-SPC-W	Aeron sun shield, white color
HRC-WM-W	Wall mount, white color	HRC4-BD-W	Aeron bird spike, white color
HRC-PPM-W	Pendant pole, white color	HRC4-SWA3	Aeron washer nozzle
HRC-CM-W	Corner mount, white color	HRC-FUSION	Oculus / Aeron Image Fusion
HRC-PMA-W	Pole mount adaptor, white color	HRC-PCC-X	Custom color (change W at the end of the PN to X)

HRC-HEATER	Oculus / Aeron extended heater
HRC-WAA	Oculus / Aeron video replacement wiper
HRC-WAA2	Oculus / Aeron IR / WL / thermal wiper
HRC-WP5L/230	Washer tank, 5L, 110/230VAC
HRC-WP10L/230	Washer tank, 10L, 110/230VAC
HRC-WP25L/230	Washer tank, 25L, 110/230VAC
HRC3-SC-W	Oculus sun cowl, white color
HRC-SD01	Internal SD card interface, + 64 GB SD card

DIMENSIONS



Typical drawings - dimensions may vary by model.
Further detailed drawings available on request.

For more information
www.security.honeywell.com

Honeywell Commercial Security
715 Peachtree St. NE
Atlanta, GA 30308
Tel: +1 800 323 4576
www.honeywell.com

Honeywell reserves the right, without notification, to make changes in product design or specifications.

HSV-OCUAER_GOV-07-US(0421)DS-ZD
© 2021 Honeywell International Inc.

Honeywell

SILENT SENTINEL
VISION & MOTION CONTROL