

MAXPRO[®] NVR XE



8/16-Channel Entry Level NVR



OPERATIONAL	
MAXPRO NVR SOFTWARE - VERSION 7.5	
DATABASE	Microsoft® SQL Server® 2019 Express
OPERATING SYSTEM	Windows® 10 IoT Enterprise 2021 Value LTSC
IMAGE COMPRESSIONS SUPPORTED	MJPEG, MPEG-4, H.264, H.265
SUPPORTED HONEYWELL IP CAMERAS AND ENCODERS	Supports Honeywell's Performance IP, equalP® Series, 30/35/60/70 Series IP cameras
SUPPORTED THIRD PARTY IP CAMERAS AND ENCODERS	Refer to the MAXPRO® NVR Compatibility on our website for a comprehensive list of compatible products to which this device is integrated.
AUDIO SUPPORT	2-way audio support for compatible cameras
MAXIMUM NUMBER OF DESKTOP CLIENT CONNECTIONS	Desktop Client - 18 remote per unit from 9 remote workstations + 1 local on NVR server
SALVO LAYOUTS	Desktop Client - Full, 2x2, 1x5, 3x3, 2x8, 1x12, 4x4. Web Client - 2x2, 1x1, 1x2, 1x3. Mobile app (Phone) - 2x2, 2x4, 1x2, 1x1. Mobile app (Tablet) - 3x3, 2x2, 1x1.
PICTURE CONTROLS PER CAMERA	Sharpness, blur, brightness, contrast, hue, saturation, maintain aspect ratio, stretched, original size and picture mirror
OSD	Concealed text option
PLAYBACK CONTROLS PER CAMERA - DESKTOP CLIENT	FWD/REV Play x (1, 2, 4, 8, 16) Slow FWD/REV Play x (1/2, 1/4, 1/8)
SEARCH TYPES	Time/date timeline, time jump FWD/REV, bookmarks, calendar, preview, film strip, event search and SMART Motion Search
RECORDING SCHEDULE	Continuous and event based with H/M/D and holiday and exception days
RECORDING METHODS PER CAMERA	Continuous, event based and user activated
LIVE SETTINGS PER CAMERA	Compression format, resolution and frame rate
RECORD SETTINGS/CAMERA	Same as live or can be a separate stream configuration
CLIP FORMAT	Honeywell MPVC AND SMPVC playable with standalone MAXPRO Clip Player for faster and secure exports. WMV with digital certificate for authentication playable with Windows media player. ASF for faster exporting of longer than an hour backup clips in native compression format.
VIDEO CLIP AUTHENTICATION	Digital signature, verification tool provided
MOTION DETECTION LOCATION	Camera based for supported models or Server based (SMART VMD) for all models (except 360 fisheye /panomorph views)
EVENT RECORDING	Pre and post duration setting
OPERATOR REPORTING	Per user, configurator, session and viewer
EVENT REPORT	Per camera or recorder events
OPERATORS	1024

OPERATIONAL	
MAXPRO NVR XE HARDWARE	
PROCESSOR	12 th Generation Intel® Core™ i5-12400 Processor, up to 4.40 GHz
MEMORY	16 GB DDR4-3200MHz (UDIMM)
POWER SUPPLY	Single 310 W
OS PARTITION	256 GB SSD M.2 2280 PCIe TLC Opal
STORAGE CAPACITIES	4 TB, 8 TB, 12 TB, 16 TB, 20 TB
OPTICAL	None
NETWORK	Two 1 GB Ethernet included
MOUSE AND KEYBOARD	USB
REAR PANEL CONNECTIONS	
USB	Front: 4x USB 3.2, 1x USB-C; Rear: 4x USB 2.0
NETWORK	2x RJ45
MONITOR OUTPUT	HDMI 2.1 TMDs, 2x DisplayPort 1.4
ELECTRICAL	
INPUT VOLTAGE	100-240V, 50-60Hz
POWER DISSIPATION	Average BTU rating = 318 BTU/HR
MECHANICAL	
DIMENSIONS (W X H X D)	13.4 in x 3.7 in x 11.7 in (340 mm x 93mm x 298 mm)
WEIGHT	11.7 lbs (5.3 kg)
ENVIRONMENTAL	
TEMPERATURE	Operating: 41°F to 95°F (5°C to 35°C) Storage: -10°C to 65°C (14°F to 150°F)
RELATIVE HUMIDITY	20% to 80% (non-condensing)
REGULATORY	
EMISSIONS	FCC Part 15, Subpart B; EN55022:2010
IMMUNITY	EN50130-4:2011
SAFETY	ANSI/UL 60950-1; CAN/CSA C22.2 60950-1; EN60950-1:2006+A11:2009+A12:2011 +A1:2010
SUSTAINABILITY	ENERGY STAR® 8.0, ErP Lot 3, TCO Certified 9.0, RoHS compliant
OTHER	
WARRANTY	3-year warranty
RECORDING AND MONITORING PERFORMANCE	
480 fps @ 4CIF/VGA or 480 fps @ 720p HD or 480 fps @ 1080p (4 Mbps bitrate) HD, 1-way audio for up to 8 or 16 IP channels. Network bandwidth/throughput supported per NVR with Incoming: 80 Mbps, Outgoing: 240 Mbps providing a Total: 320 Mbps. Rendering performance using GPU of up to 4 1080p HD @ 30 fps/120 fps on local client. Note: Oncam Grandeye 360 Cameras are not supported with GPU rendering and use CPU rendering by default.	

MAX VIDEO STREAMS SUPPORT	Desktop Client: Live - 256 streams, Playback/Video retrieval sessions - 32, Sync playback - 9 streams. 256 live streams limit excludes 1 stream used per camera if SMART VMD is enabled. Maximum live streams per camera is 15 with SMART VMD enabled. Mobile App: 16 streams of 1080p HD @ 5 fps each. Note: During archival operations, maximum no of playback streams recommended from Desktop Client and Web Client is 16 streams.
SERVER BASED VMD (SMART VMD) PERFORMANCE - CHANNELS SUPPORTED	All 8 or 16 channels supported at 480 fps @ 4CIF/VGA or 480 fps @ 720p HD or 480 fps @ 1080p HD or total 32 Megapixel.
ARCHIVAL PERFORMANCE	16 channels @ 4 Mbps bitrate each/64 Mbps total archival throughput capacity. Outgoing archival storage throughput of 200 Mbps.
MULTI-STREAM PERFORMANCE	Support for maximum 128 streams. Support for configuring 1 preferred stream for continuous recording and 1 preferred stream for live video/ motion based recording per camera.

MAXPRO® NVR XE (Xpress Edition)

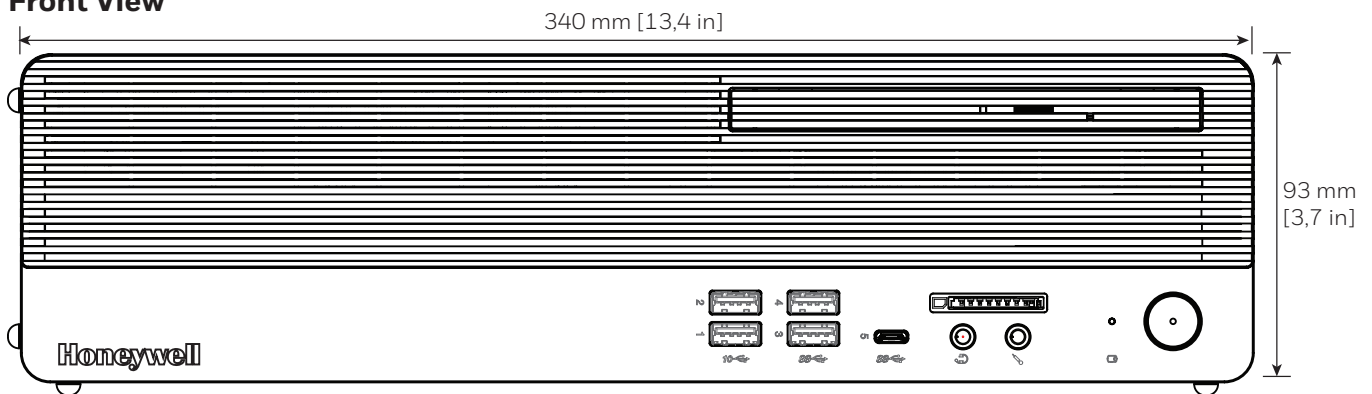
8/16-Channel Entry Level Network Video Recorder (NVR)

HARDWARE FEATURES

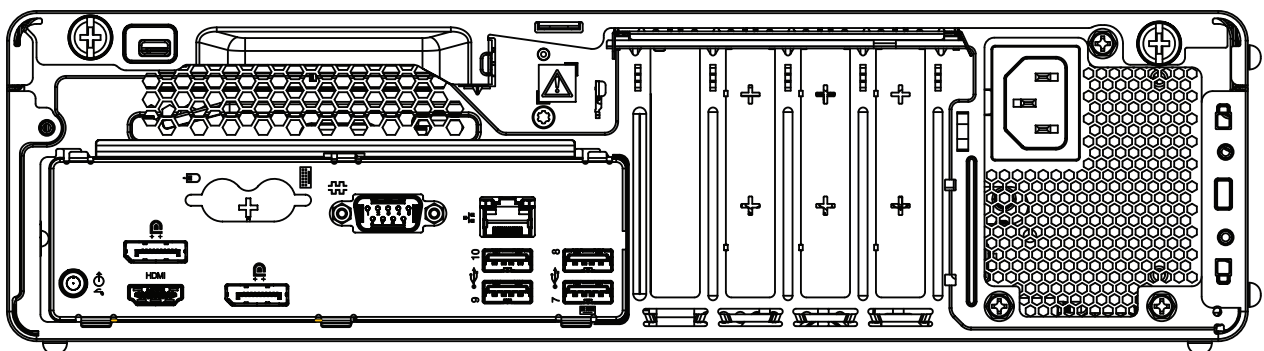
- Each unit records and monitors up to 8 or 16 cameras at 480 fps @ 4CIF/VGA or 480 fps @ 720p HD or 480 fps @ 1080p (4 Mbps bitrate) HD. Network bandwidth/throughput supported per NVR with Incoming: 80 Mbps, Outgoing: 240 Mbps; Total: 320 Mbps
- Archival support of 16 channels @ 4 Mbps bitrate each/64 Mbps total archival throughput capacity per MAXPRO NVR XE, with outgoing archival storage throughput of 200 Mbps
- Multi-stream support with maximum 128 streams per MAXPRO NVR XE. Support for configuring 1 preferred stream for continuous recording and 1 preferred stream for live video/ motion based recording per camera
- Supports One-Way Audio (for specific IP cameras) with live, playback and clip export on desktop clients for up to 8 or 16 IP channels
- Includes HDMI and two display ports for dual local monitor support providing access to monitoring and configuration interface
- Supports displaying 16 cameras at one time on the NVR local monitor and rendering performance using GPU of up to 4 1080p HD Cameras @ 30 fps/120 fps on local client.
- Storage capacity of 4 TB/8 TB/12 TB/16 TB/20 TB
- Includes dual 1 GB Network ports optimized to separate record and viewing data to ensure 100% recording and smooth playback even with multiple client connections.
- Small desktop type footprint suitable for small spaces

SPECIFICATIONS

Front View



Rear View



MAXPRO® NVR XE (Xpress Edition)

8/16-Channel Entry Level Network Video Recorder (NVR)

ORDERING

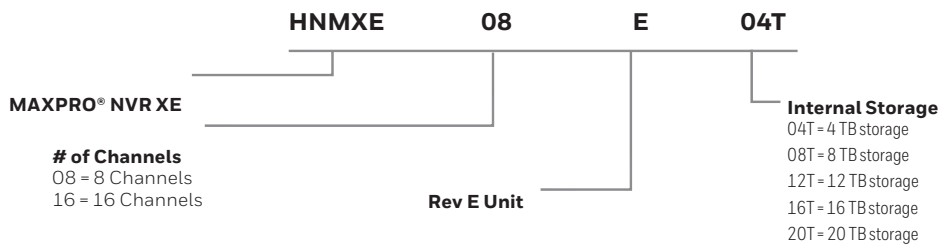
MAXPRO NVR XE		UPGRADE KITS FOR MAXPRO SE REV D/ XE REV E	
HNMXE08E04T	MAXPRO NVR XE, Rev E, 8 Channel, 4 TB	HNMSXDHD4T	4 TB HDD Upgrade Kit
HNMXE08E08T	MAXPRO NVR XE, Rev E, 8 Channel, 8 TB	HNMSXDHD6T	6 TB HDD Upgrade Kit
HNMXE08E12T	MAXPRO NVR XE, Rev E, 8 Channel, 12 TB	HNMSXDHD8T	8 TB HDD Upgrade Kit
HNMXE08E16T	MAXPRO NVR XE, Rev E, 8 Channel, 16 TB	HNMSXDHD10T	10 TB HDD Upgrade Kit
HNMXE08E20T	MAXPRO NVR XE, Rev E, 8 Channel, 20 TB	MAXPRO NVR XE - CHANNEL UPGRADE LICENSE*	
HNMXE16E04T	MAXPRO NVR XE, Rev E, 16 Channel, 4 TB	HNM01UP	MAXPPRO NVR-1 Channel License Upgrade. Applicable for MAXPRO NVR XE, Rev E, 8 Channel (HNMXE08E***) units only to add support up to 16 Channels.
HNMXE16E08T	MAXPRO NVR XE, Rev E, 16 Channel, 8 TB		
HNMXE16E12T	MAXPRO NVR XE, Rev E, 16 Channel, 12 TB		
HNMXE16E16T	MAXPRO NVR XE, Rev E, 16 Channel, 16 TB		
HNMXE16E20T	MAXPRO NVR XE, Rev E 16 Channel, 20 TB		
3RD PARTY I/O MODULE INTEGRATION			
		HNMNVR3PIO	Network I/O Module

* Refer to the storage calculator on buildings.honeywell.com to help determine what size unit to order.

SOFTWARE MAINTENANCE & UPGRADES AGREEMENTS FOR MAXPRO NVR

SSAMPNVRCH	Annual Software Support Agreement – MAXPRO NVR System with VMS support included, Per Channel
------------	--

MAXPRO NVR XE – PART NUMBER LOOKUP



For more information

buildings.honeywell.com/security
buildings.honeywell.com/ae/en/solutions/security

Honeywell Commercial Security

Emaar Business Park, Sheikh Zayed Road
Building No. 2, 2nd floor, 201
Post Office Box 232362
Dubai, United Arab Emirates
Tel: +971 4 450 5800
www.honeywell.com

Intel® and Core™ are trademarks or registered trademarks of Intel Corporation in the United States and other countries.

Microsoft®, Windows® and SQL Server® are trademarks or registered trademarks of Microsoft Corporation in the United States and other countries.

ENERGY STAR is a registered trademark of the U.S. Environmental Protection Agency in the United States and other countries.

ONVIF and the ONVIF logo are trademarks of ONVIF Inc. in the United States and other countries.

MAXPRO and eQuIP are trademarks or registered trademarks of Honeywell International Inc. in the United States and other countries.

Honeywell reserves the right, without notification, to make changes in product design or specifications.

HSV-MPX-09-ME(0323)DS-ZD
© 2023 Honeywell International Inc.

Honeywell