

PERFORMANCE IP SERIES

Indoor/Outdoor Mounts and Accessories

Honeywell's Performance Series mounts and accessories provide a range of installation options for the Honeywell Performance Series IP cameras, including junction box, wall, pole, and corner mounts.

The mounts provide easy cable routing with no exposed wiring, and the cameras can be installed, adjusted, and tested without repositioning the housing. All of the mounts and accessories are suitable for indoor or outdoor use.

The junction boxes, and pole mount are constructed of die-cast aluminum. The corner mount adapter is made of SECC steel. The HEJB junction box is made of die-cast aluminum and SECC steel. All of the mounts and accessories are powder coated to match the finish of the camera.

Market Opportunities

Honeywell's Performance Series mounts and accessories provide excellent value at an attractive price, featuring simple, clean lines, and rugged construction for a wide range of mounting options.



HQA-BB1
Junction Box



HQA-WK
Wall Mounts



HQA-BB2
Junction Box



HQA-WK2
Wall Mounts



HQA-BB3
Junction Boxes



HQA-BB4
Junction Box



HQA-PM2
Pole Mount



HQA-PK
Pendant Mount Cap



HB34S2-CM
Corner Mount



HBS2-BB
Junction Box



HQA-CB Ceiling
Mount Bracket



HQA-CBE Ceiling
Mount Extend Bracket



HQA-RS
Rain Shield Bracket



HQA-IC
In-Ceiling Bracket



HEJB
Junction Box

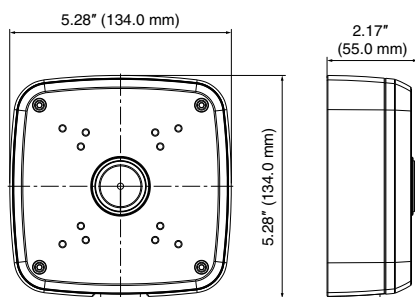
INDOOR/OUTDOOR MOUNTS AND ACCESSORIES

FEATURES AND BENEFITS

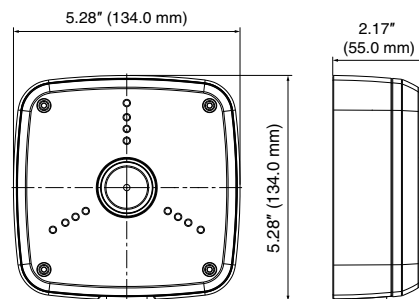
DESCRIPTION	JUNCTION BOX						WALL MOUNT		POLE MOUNT	CEILING MOUNT	PENDANT MOUNT			CORNER MOUNT ADAPTER	RAIN SHIELD BRACKET
	HQA-BB1	HQA-BB2	HQA-BB3	HQA-BB4	HBS2-BB	HEJB	HQA-WK	HQA-WK2	HQA-PM2	HQA-IC	HQA-CB	HQA-CBE	HQA-PK	HB34S2-CM	HQA-RS
LOW PROFILE, CONTEMPORARY DESIGN	✓	✓	✓	✓	✓	✓	✓	✓	✓	✓	✓	✓	✓	✓	✓
ECONOMICALLY PRICED	✓	✓	✓	✓	✓	✓	✓	✓	✓	✓	✓	✓	✓	✓	✓
EASY CABLE FEED-THROUGH	✓	✓	✓	✓	✓	✓	✓	✓	✓	✓	✓	✓	✓	✓	✓
DIE-CAST ALUMINUM	✓	✓	✓	✓	✓	✓	✓	✓	✓	✓	✓	✓	✓	✓	✓
SECC STEEL						✓								✓	
OFF-WHITE POWDER FINISH	✓	✓	✓	✓	✓	✓	✓	✓	✓	✓	✓		✓	✓	✓
GREY POWDER FINISH												✓			
INDOOR/OUTDOOR	✓		✓	✓	✓	✓	✓	✓	✓	✓	✓	✓	✓	✓	✓

DIMENSIONS

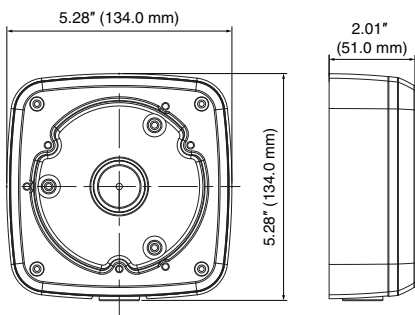
HQA-BB1



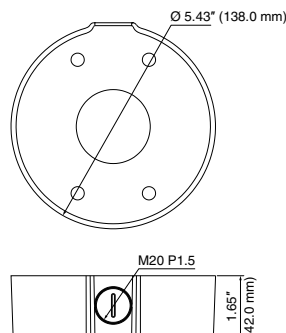
HBS2-BB



HQA-BB2



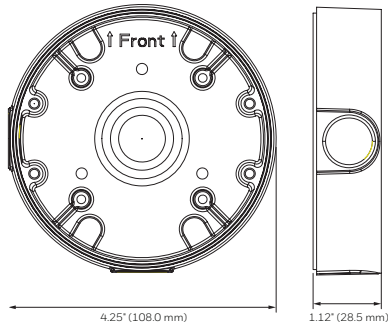
HEJB



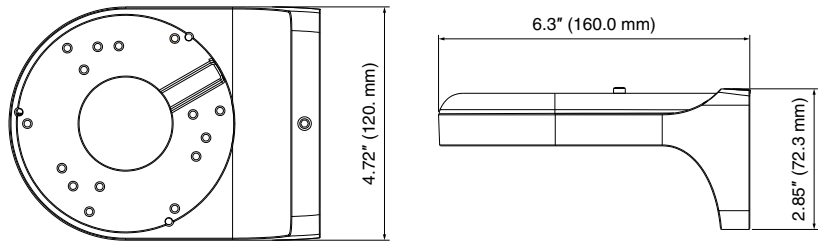
INDOOR/OUTDOOR MOUNTS AND ACCESSORIES

DIMENSIONS

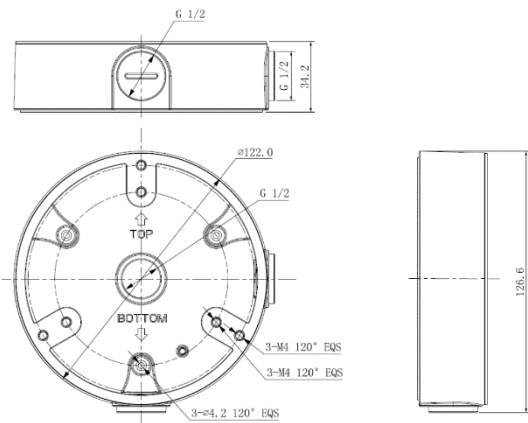
HQA-BB3



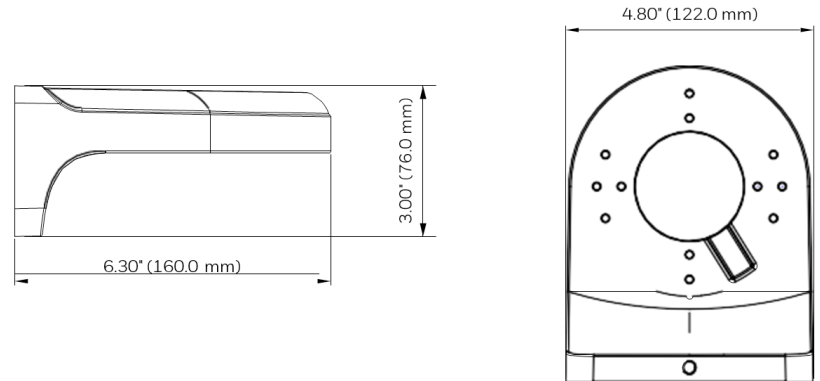
HQA-WK



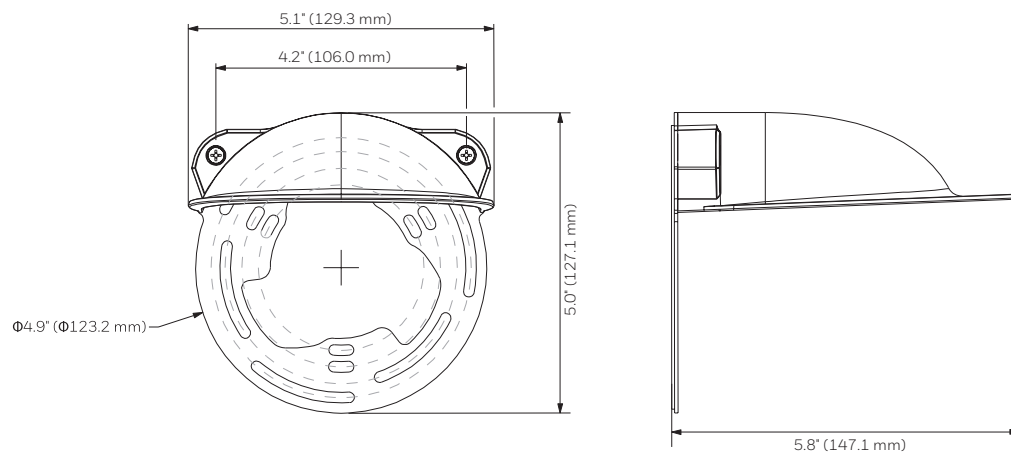
HQA-BB4



HQA-WK2



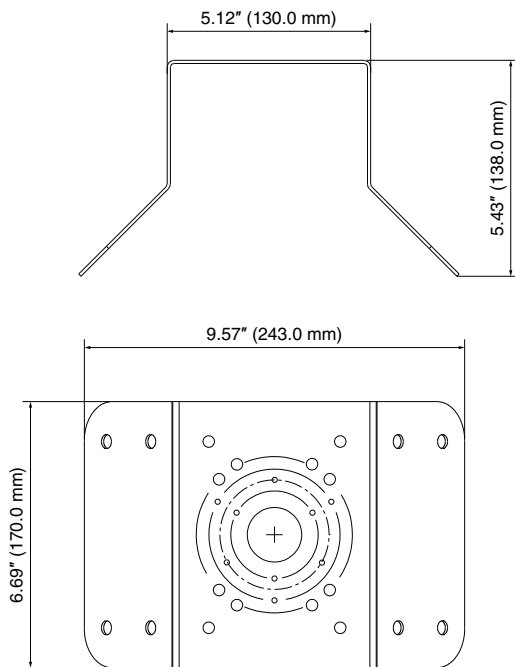
HQA-RS



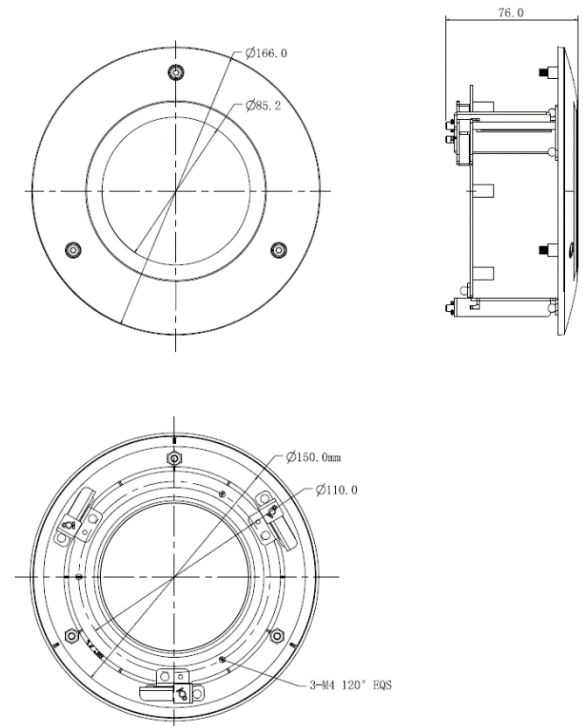
INDOOR/OUTDOOR MOUNTS AND ACCESSORIES

DIMENSIONS

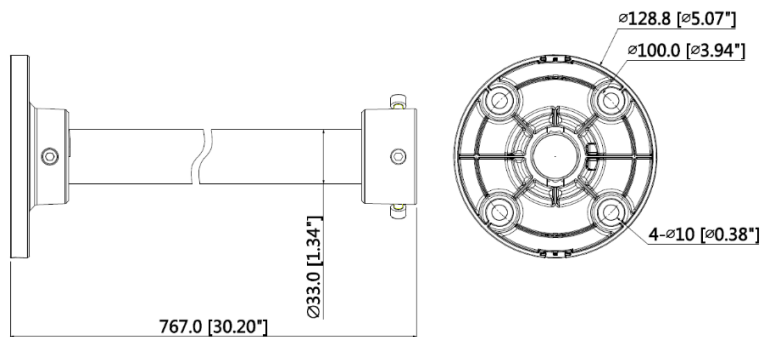
HB34S2-CM



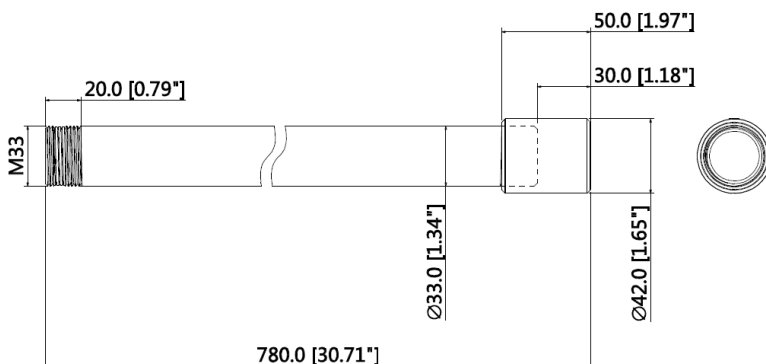
HQA-IC



HQA-CB



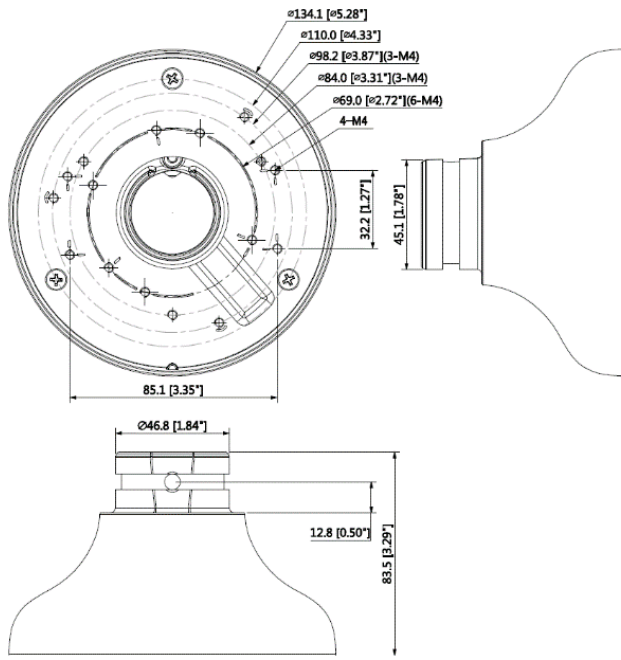
HQA-CBE



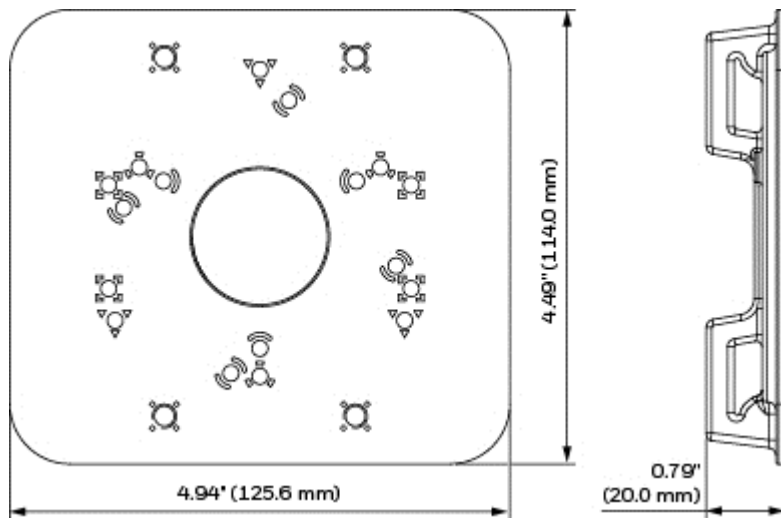
INDOOR/OUTDOOR MOUNTS AND ACCESSORIES

DIMENSIONS

HQA-PK



HQA-PM2



INDOOR/OUTDOOR MOUNTS AND ACCESSORIES

COMPATIBLE IP CAMERAS

MOUNTS	COMPATIBLE PERFORMANCE IP CAMERAS
HQA-BB1	N/A
HQA-BB2	H4W2PER2V, H4W4PER2V, H4W8PER2V, H4W2PER3V, H4W4PER3V, H4W8PER1V, HEW8PER2V, HEW2PER2V, HEW4PER2V, HEW2PER3V, HEW4PER3V, HEW8PER1V
HQA-BB3	H2W4PER3V
HQA-BB4	H4W2PER2V, H4W4PER2V, H4W8PER2V, HEW8PER2V, HEW2PER2V, HEW4PER2V, HEW2PER3V, HEW4PER3V, HEW8PER1V
HBS2-BB	HBW2PER1V, HBW4PER1V, HBW8PER1V, HBW2PER2V, HBW4PER2V, HBW8PER2V, HEW8PER2V, HEW2PER2V, HEW4PER2V, HEW2PER3V, HEW4PER3V, HEW8PER1V
HEJB	HBW2PER1V, HBW4PER1V, HBW8PER1V, HEW8PER2V, HEW2PER2V, HEW4PER2V, HEW2PER3V, HEW4PER3V, HEW8PER1V
HQA-PM2	H4W2PER2V, H4W4PER2V, H4W8PER2V, H4W2PER3V, H4W4PER3V, H4W8PER1V, HBW2PER1V, HBW4PER1V, HBW8PER1V, HBW2PER2V, HBW4PER2V, HBW8PER2V, HEW8PER2V, HEW2PER2V, HEW4PER2V, HEW2PER3V, HEW4PER3V, HEW8PER1V, H2W4PER3V
HB34S2-CM	H4W2PER2V, H4W4PER2V, H4W8PER2V, H4W2PER3V, H4W4PER3V, H4W8PER1V, HBW2PER1V, HBW4PER1V, HBW8PER1V, HBW2PER2V, HBW4PER2V, HBW8PER2V, HEW8PER2V, HEW2PER2V, HEW4PER2V, HEW2PER3V, HEW4PER3V, HEW8PER1V
HQA-WK	H4W2PER2V, H4W4PER2V, H4W8PER2V, H4W2PER3V, H4W4PER3V, H4W8PER1V, HEW8PER2V, HEW2PER2V, HEW4PER2V, HEW2PER3V, HEW4PER3V, HEW8PER1V
HQA-WK2	H2W4PER3V
HQA-IC	H4W2PER2V, H4W4PER2V, H4W8PER2V
HQA-RS	H4W2PER2V, H4W4PER2V, H4W8PER2V, H4W2PER3V, H4W4PER3V, H4W8PER1V
HQA-PK	H4W2PER2V, H4W4PER2V, H4W8PER2V, H4W2PER3V, H4W4PER3V, H4W8PER1V, HEW8PER2V, HEW2PER2V, HEW4PER2V, H2W4PER3V
HQA-CB	H4W2PER2V, H4W4PER2V, H4W8PER2V, H4W2PER3V, H4W4PER3V, H4W8PER1V, HEW8PER2V, HEW2PER2V, HEW4PER2V, H2W4PER3V
HQA-CBE	H4W2PER2V, H4W4PER2V, H4W8PER2V, H4W2PER3V, H4W4PER3V, H4W8PER1V, HEW8PER2V, HEW2PER2V, HEW4PER2V, H2W4PER3V

INDOOR/OUTDOOR MOUNTS AND ACCESSORIES

SPECIFICATIONS

MECHANICAL			
MODEL NO.	UNIT WEIGHT	CONSTRUCTION	DIMENSIONS
HQA-BB1	1.1 lb (0.5 kg)	Die-cast aluminum	5.28 × 5.28 × 2.17 in. (134.0 × 134.0 × 55.0 mm)
HQA-BB2	1.32 lb (0.6 kg)	Die-cast aluminum	5.28 × 5.28 × 2.01 in. (134.0 × 134.0 × 51.0 mm)
HQA-BB3	1.08 lb (0.49 kg)	Die-cast aluminum	6.30 × 4.80 × 3.00 in. (160.0 × 122.0 × 76.0 mm)
HQA-BB4	0.53 lb (0.24 kg)	Aluminum	ø 4.80 × 1.35 in. (ø 122.0 × 34.2 mm)
HQA-RS	0.55 lb (0.25 kg)	Aluminum & SGCC	5.09 × 5 × 5.79 in. (129.3 × 127 × 147 mm)
HBS2-BB	1.1 lb (0.5 kg)	Die-cast aluminum	5.28 × 5.28 × 2.17 in. (134.0 × 134.0 × 55.0 mm)
HEJB	0.84 lb (0.38 kg)	Die-cast aluminum and SECC steel	ø 5.43 × 1.65 in. (ø 138.0 × 42.0 mm)
HQA-PM2	0.6 lb (0.27 kg)	Die-cast aluminum	4.94 × 4.49 × 0.79 in. (125.6 × 114.0 × 20.0 mm)
HB34S2-CM	3.75 lb (1.7 kg)	SECC	9.57 × 6.69 × 5.43 in. (243 × 170 × 138mm)
HQA-WK	2.2 lb (1.0 kg)	Die-cast aluminum and ABS	4.72 × 2.85 × 6.3 in. (120.0 × 72.3 × 160.0 mm)
HQA-WK2	0.35 lb (0.16 kg)	Die-cast aluminum	ø 4.25 × 1.12 in. (ø 108.0 × 28.5 mm)
HQA-IC	0.71 lb (0.32 kg)	SECC & PC	ø 6.54 × 2.98 in. (ø 166.0 × 75.8 mm)
HQA-PK	0.64 lb (0.29 kg)	Aluminum	ø 5.28 × 3.29 in. (ø 134.1 × 83.5 mm)
HQA-CB	1.98 lb (0.9 kg)	Aluminum	ø 5.07 × 30.2 in. (ø 128.8 × 767.0 mm)
HQA-CBE	1.43 lb (0.65 kg)	Aluminum	ø 1.65 × 30.71 in. (ø 42 × 780 mm)

ORDERING

HQA-BB1	Junction Box, Off-White
HQA-BB2	Junction Box, Off-White
HQA-BB3	Junction Box, Off-White
HQA-BB4	Junction Box, Off-White
HQA-RS	Rain Shield Bracket, Off-White
HBS2-BB	Junction Box, Off-White
HEJB	Junction Box, Off-White
HQA-PM2	Pole Mount Adapter, Off-White
HB34S2-CM	Corner Mount Adapter, Off-White
HQA-WK	Wall Mount, Off-White
HQA-WK2	Wall Mount, Off-White

HQA-IC	In-Ceiling Bracket, Off-White
HQA-PK	Pendant Mount Cap, Off-White
HQA-CB	Ceiling Mount Bracket, Off-White
HQA-CBE	Ceiling Mount Extend Bracket, Off-White

- The HQA-CB must be used when installing the camera to HQA-PK.
- The HQA-CBE must be used with HQA-CB together.
- The HQA-WK/HQA-WK2/HQA-BB2/HQA-BB3/HQA-BB4 must be used when installing the camera to HQA-PM2.
- The HQA-BB2 must be used when installing the camera to HB34S2-CM.
- The HBS2-BB/HEJB must be used when installing the camera to HQA-PM2.
- The HBS2-BB/HEJB must be used when installing the camera to HB34S2-CM.

For more information

buildings.honeywell.com/security

Honeywell Commercial Security

715 Peachtree St. NE
Atlanta, GA 30308
1.800.323.4576
www.honeywell.com

Honeywell reserves the right, without notification, to make changes in product design or specifications.

HSV-PERF_MNTS_ACC-04-US(0921)DS-Z
© 2021 Honeywell International Inc.

Honeywell