

PERFORMANCE SERIES

HEW8PER1V



Network WDR 8MP IR Ball Camera

| OPERATIONAL | |
|--------------------------|---------------------------------------------------------------------------------------------------------------------------------------------------------------------------------------------------------------------------------------------------------------------------------------------------------------------------------------------------------------------------------------------------------------------------------------------------------|
| Video Standard | NTSC / PAL |
| Scanning System | Progressive |
| Image Sensor | 1/2.8" 8 Megapixel progressive scan CMOS |
| Number Of Pixels(H x V) | 3840 x 2160 |
| Minimum Illumination | 0.007 Lux @F1.4 |
| S/N Ratio | More than 50dB |
| Electronic Shutter Speed | 1 / 3~1 / 100000s |
| IR Distance | Up to 30 m (98.4 ft) depending on scene reflectance |
| IR Light Control | Manual / Smart IR / OFF |
| IR Light Number | 2 |
| Day/Night | Auto(ICR) / Color / B&W |
| Backlight Compensation | BLC / HLC / WDR |
| Wide Dynamic Range | 120dB |
| White Balance | Auto / Natural / Street Lamp / Outdoor / Manual / Customized Region |
| Gain Control | 0~100 |
| Noise Reduction | 3D NR |
| Privacy Masking | Off / On (4 Areas, Rectangle) |
| Motion Detection | Off / On (4 Zones, Rectangle) |
| Region Of Interest | Off / On (4 Zones) |
| Audio Detection | Supported |
| Lens | 3.6mm, Fixed, F1.4 |
| Angle Of View | H:85°, V:45°, D:100° |
| VIDEO | |
| Compression | H.265 / H.264H / Smart Codec / MJPEG (Sub Stream) |
| Resolution | 8M (3840 x 2160); 6M (3072 x 2048); 5M (3072 x 1728/2592 x 1944); 4M (2688 x 1520); 3M (2048 x 1536/2304 x 1296); 1080p (1920 x 1080); 1.3M (1280 x 960); 720p (1280 x 720); D1 (704 x 576/704 x 480); VGA (640 x 480); CIF (352 x 288/352 x 240) |
| Frame Rate | Main stream: 3840 x 2160 / 3072 x 2048 / 3072 x 1728 @ (1~20 fps by default); 2592 x 1944 / 2688 x 1520 / 2048 x 1536 / 2304 x 1296 / 1920 x 1080 / 1280 x 960 / 1280 x 720 @ (1~25/30 fps) Sub stream: 704 x 576 / 640 x 480 / 352 x 288 @ (1~25 fps); 704 x 480 / 640 x 480 / 352 x 240 @ (1~30 fps) Third stream: 1920 x 1080 / 1280 x 720 / 704 x 480 / 640 x 480 @ (1~25 fps); 1920 x 1080 / 1280 x 720 / 704 x 480 / 640 x 480 @ (1~30 fps) |
| Bit Rate Control | CBR / VBR |
| Bit Rate | H.264: 3 Kbps~8192 Kbps H.265: 3 Kbps~8192 Kbps |
| Analytics | Motion Detection, Video Tamper, Scene Change, Smart Motion Detection, Smart Tripwire, Smart Intrusion, Face Detection |
| AUDIO | |
| Compression | G.711a / G.711Mu / AAC / G.726 |
| Interface | Built-in Mic |

| NETWORK | |
|------------------------|------------------------------------------------------------------------------------------------------------------------------------------------------------------------------------|
| Ethernet | RJ-45 (10 / 100Base-T) |
| Supported Web Browsers | Internet Explorer (11.0+) |
| Supported OS | Windows® 7 32-bit / 64-bit; Windows® 10 32-bit / 64-bit |
| Protocols* | HTTP; HTTPS; TCP; ARP; RTSP; RTP; RTCP; UDP; SMTP; DHCP; DNS; PPPoE; IPv4/v6; QoS; UPnP; NTP; Bonjour; IEEE 802.1x; Multicast; ICMP; IGMP; TLS |
| Interoperability | ONVIF Profile S / G / Q / T |
| Maximum Users Access | 20 users |
| Security | User account and password protection HTTPS, IP Filter, Digest authentication, User access log, TLS1.2 only, AES-128 / 256, SSH / Telnet closed, sFTP by default, PCIDSS compliance |
| Event | No SD card, SD card error, Capacity warning, Network disconnection, IP conflict, Illegal access |
| Micro SD | Supports max. 256 GB Micro SD card, Class 10 (not included) |
| Languages Supported | English, Arabic, Czech, Dutch, French, German, Italian, Japanese, Korean, Polish, Portuguese, Russian, Simplified Chinese, Spanish, Turkish |
| ELECTRICAL | |
| Power Supply | DC12V, PoE (802.3af)(Class 0) |
| Power Consumption | <7.9W |
| MECHANICAL | |
| Dimensions | Ø121.9mm x 99.1mm(Ø4.80" x 3.90") |
| Product Weight | 0.46kg (1.01lb) |
| Package Weight | 0.65kg (1.43lb) |
| Construction | Die-cast aluminum housing with powder coat |
| Construction Color | RAL 9003 (White) |
| ENVIRONMENTAL | |
| Operating Temperature | -40°C to 60°C (-40°F to 140°F) |
| Relative Humidity | 0% to 95%, non-condensing |
| Ingress Protection | IP66 |
| REGULATORY | |
| Emissions | FCC Part 15B, EN55032 |
| Immunity | EN 50130-4 |
| Safety | UL 60950-1, EN 62368-1 |
| RoHS | EN 50581 |

* Some development may be required in specific user cases to support some of these protocols in the field as they mature over time.

PERFORMANCE SERIES NETWORK WDR 8MP IR BALL CAMERA

RECOMMENDED ACCESSORIES

| SYSTEM INTEGRATION | |
|--------------------|-----------------------------------------------------------------------|
| HEN*4 | 8 / 16 / 32 / 64-Channel Performance Series 4K NVRs (H.264 and H.265) |
| HEN*3 | 4 / 8 / 16 / 32-Channel Performance Series 4K NVRs (H.264 and H.265) |
| HEN*3V | 4 / 8 / 16- Channel Embedded NVRs (H.265) |

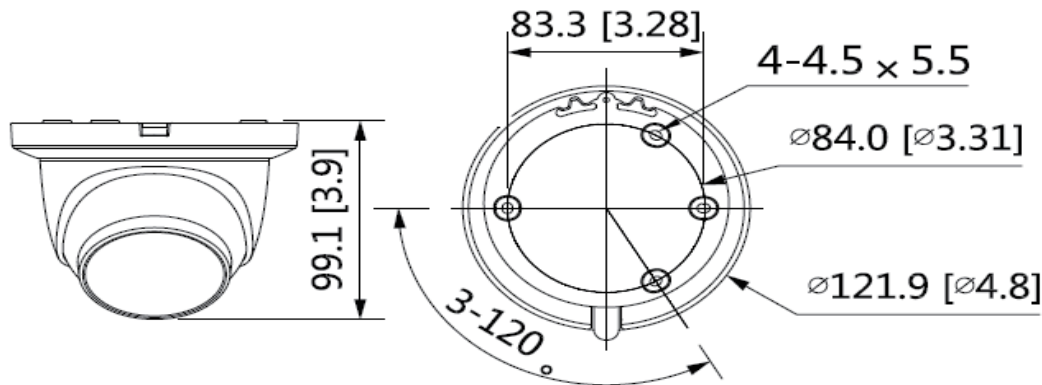
| MOUNTS AND ACCESSORIES | | |
|------------------------|-----------------------------------------------------------------------------------|--------------|
| HQA-WK** |  | Wall Mount |
| HQA-BB4 |  | Junction Box |

| MOUNTS AND ACCESSORIES | | |
|------------------------|-----------------------------------------------------------------------------------|----------------------|
| HEJB |  | Back box |
| HQA-PM2 |  | Pole Mount Adapter |
| HQA-BB2** |  | Junction Box |
| HB34S2-CM** |  | Corner Mount Adapter |
| HBS2-BB |  | Back Box |

**The HQA-WK/HQA-BB2 must be used when installing the camera to HQA-PM2.
The HQA-BB2 / HBS2-BB must be used when installing the camera to HB34S2-CM.

| ORDERING | |
|-----------|----------------------------------------------------------------------------------------------------|
| HEW8PER1V | Network WDR 8MP IR Ball Camera, 1/2.8" CMOS, 3.6mm Fixed, 2 IR LED, PoE, IP66, H.265 / Smart Codec |

DIMENSIONS



For more information
buildings.honeywell.com/security

Honeywell Commercial Security
715 Peachtree St. NE
Atlanta, GA 30308
1.800.323.4576
www.honeywell.com

ONVIF and the ONVIF logo are trademarks of ONVIF Inc.
Honeywell reserves the right, without notification, to make changes in product design or specifications.

HSV-HEW8PER1V-01-US(0921)DS-Y
© 2021 Honeywell International Inc.

Honeywell