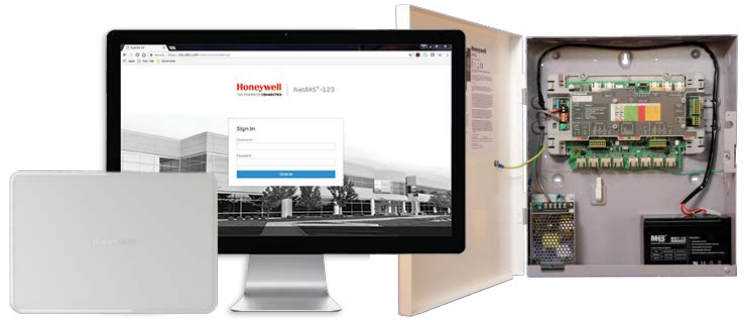


# MPA2

## Access Control Panel

Honeywell's web-based MPA2 controller provides solutions for installations of any size.



MPA2 enables users to securely manage their system anywhere there's an Ethernet/Internet connection—with no dedicated PC or software costs. The user-friendly design (Push-in connectors and RJ45 'Click 'n Done' approach) makes it simple to install and easy to operate and maintain.

MPA2 gives you all the benefits of traditional access control, such as helping you secure doors, manage employee access, and manage sites remotely. It also lets you pull reports easily to meet compliance requirements. With a browser-based interface, your learning curve and training times are significantly decreased. No dedicated software is required—simply log on and you're ready to go, securely—from the office or anywhere. You can manage MPA2 using the embedded browser, MAXPRO® Cloud's secure cloud infrastructure, or WIN-PAK®'s integrated security suite.

MPA2 has been developed with an installer-friendly design that easily adapts to existing IT infrastructure and methods, reducing installation and support costs. So as your system grows, MPA2 grows with you.

## FEATURES AND BENEFITS



### INCREASED PRODUCTIVITY

New, faster, and more intuitive user interface decreases time spent on deployment and training.

Embedded browser features basic access control that is simple and easy to use.

Add MAXPRO® Cloud or WIN-PAK® for more advanced features, such as video and intrusion integration, advanced reporting, rules and photo badging.

New, faster Hardware.



### FASTER INSTALLATION

IP-based hardware with Power over Ethernet (PoE) PLUS capability eliminates additional network module wiring and simplifies powering the panel.

At-the-door mounting decreases cable runs.

Metal enclosure with included 3.5-Amp power supply and battery backup available for traditional installs or retrofit applications.

RJ45 connection for Ethernet, Interfaces, Readers and Doors.

Eliminate the need for screwdrivers with push-in connectors.



### LOWER COST OF OWNERSHIP

Expand single door controllers to manage 2 to 4 doors\* without additional hardware.

Add additional panels and manage using the embedded interface via Ethernet Virtual Loop (EVL)\*\* or RS-485 loops.

2 additional on-board auxiliary REX (Request to Exit) and Door Contact inputs per door enable turn style, double lock and 4 door configurations\* without extra hardware.



### ENHANCED SECURITY

256-bit AES encrypted communication between panel and hosts (browser, cloud, and WIN-PAK®).

Security certificate capability ensures secure and trusted connections to the panel.

Panel tamper switches included on both plastic\* and metal enclosures.

128-bit AES encrypted bi-directional reader-panel communication (OSDP:V2) protocol.



### FLEXIBLE 3-IN-1 CAPABILITY

Embedded, cloud, or software-hosted capability from one panel.

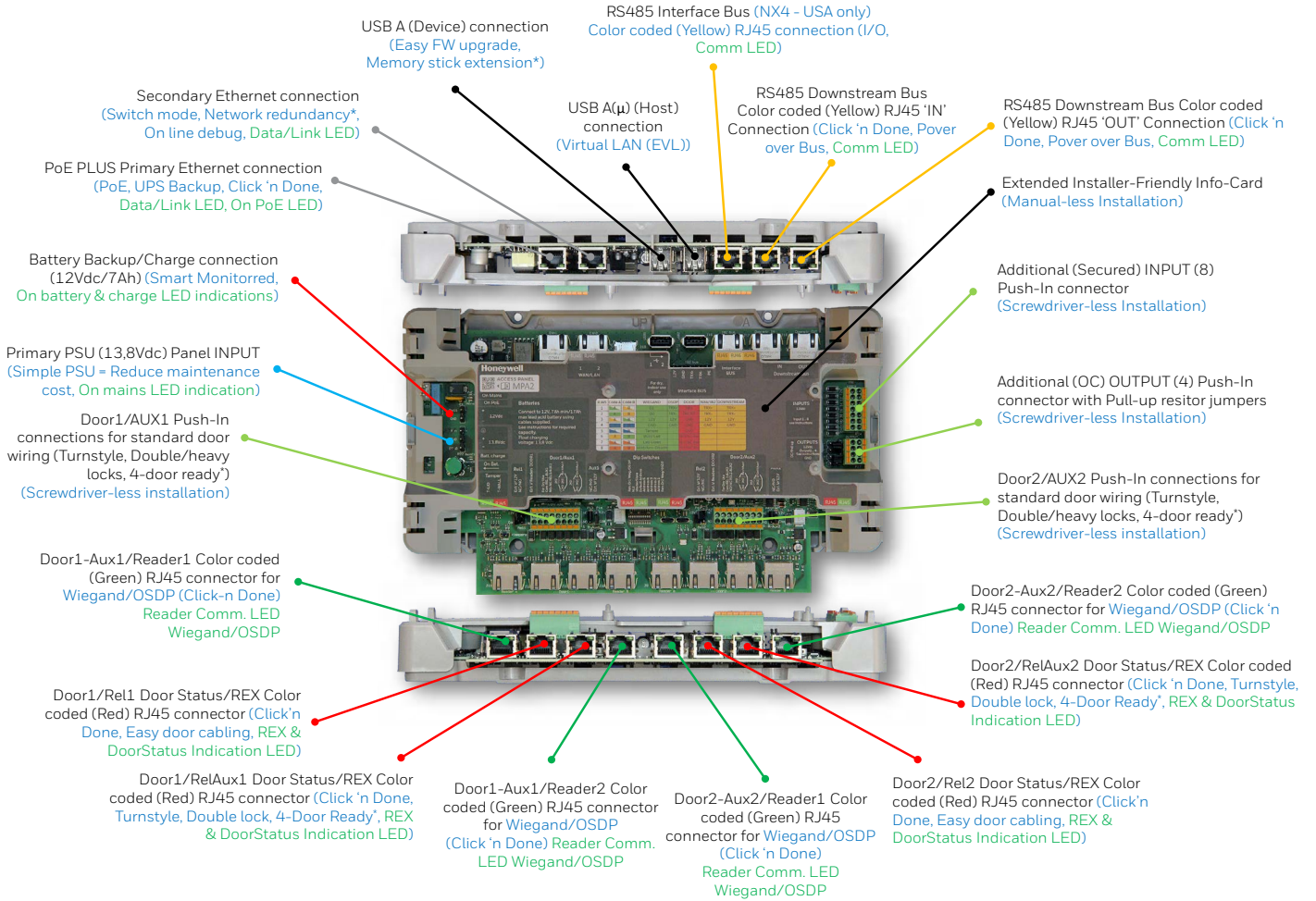
Deploy MPA2 for a large variety of jobs—from basic access control for a single site up to multi-site, enterprise-level security with fully integrated access, video and intrusion.

\* Coming Soon

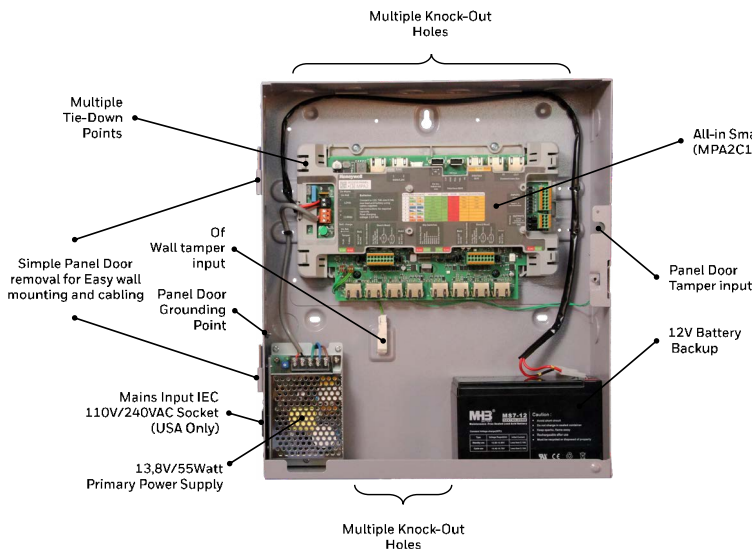
\*\* Ethernet Virtual Loop (EVL) is compatible with MPA2 and NetAXS-123 panels.

# MPA2 ENCLOSURE OPTIONS

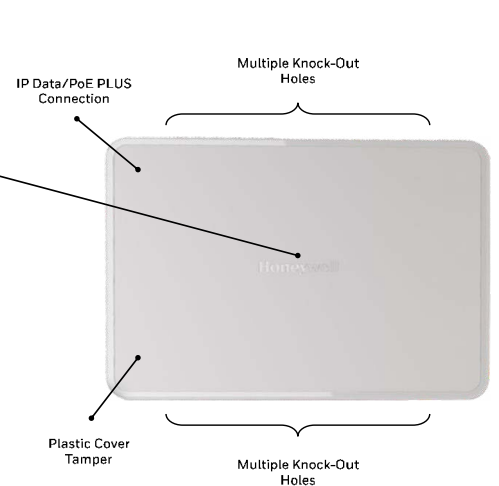
## MPA2 Compact All-in Smart Control Panel (MPA2C1)



## MPA2 Standard Metal Enclosure



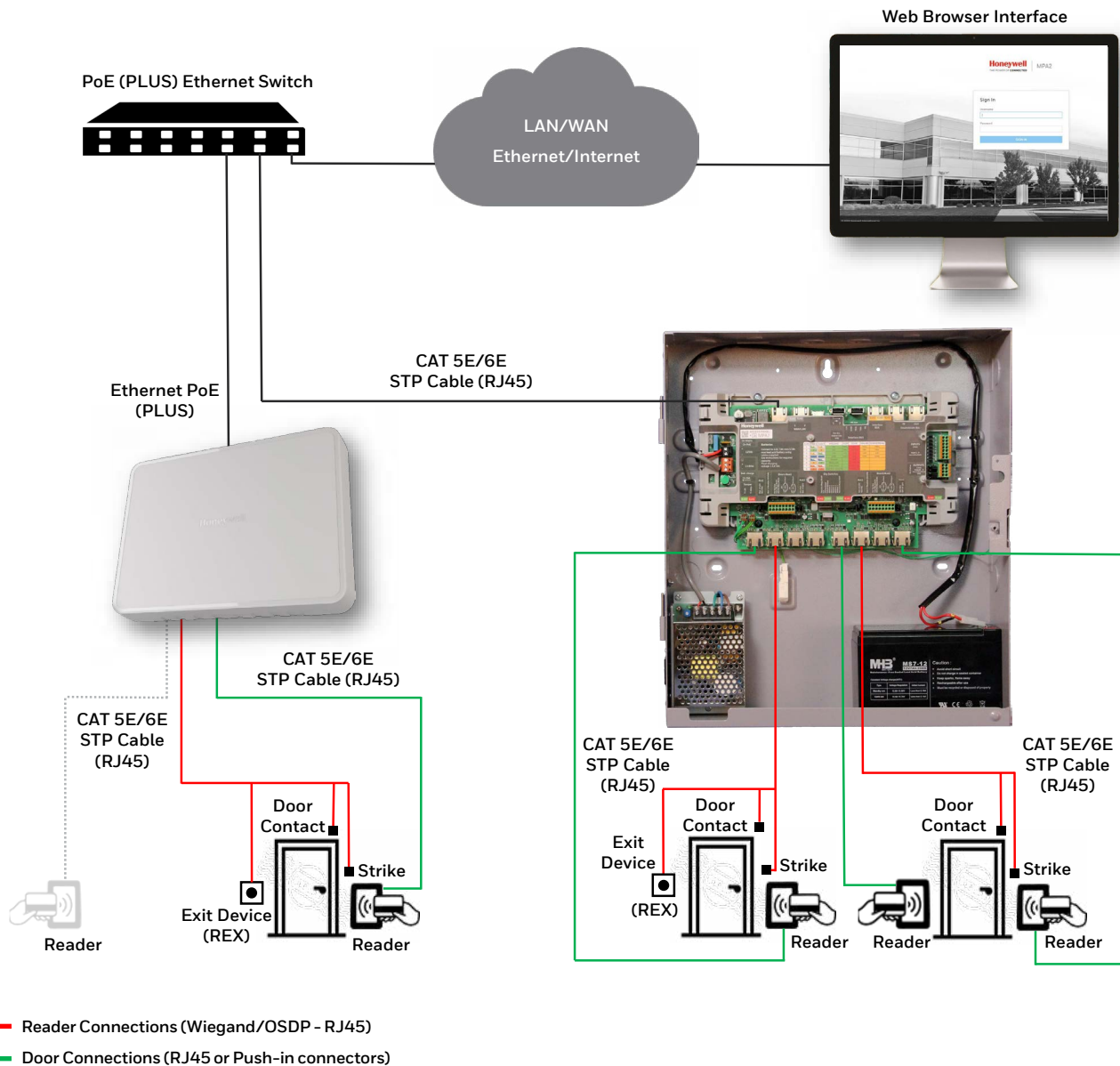
## MPA2 Compact Plastic Enclosure\*



\* Coming Soon

# MPA2 SYSTEM OVERVIEW

## MPA2 System Architecture



| MPA2 READER/DOOR CONFIGURATIONS |   |                |      |
|---------------------------------|---|----------------|------|
| CONFIGURATION                   | INPUTS/OUTPUTS  | WIEGAND        | OSDP |
| 1 Door / 1 Direction            | Relay 1, Doorcnt 1, REX 1                                     | Yes            | Yes  |
| 1 Door / 2 Direction            | Relay 1, Doorcnt 1  | Yes (Hold A/B) | Yes  |
| 2 Door / 1 Direction            | Relay 1-2, Doorcnt 1-2, REX 1-2                               | Yes            | Yes  |
| 2 Door / 2 Direction            | Relay 1-2, Doorcnt 1-2  | Yes (Hold A/B) | Yes  |
| 3 Door / 1 Direction*           | Relay 1-2-Aux1, Doorcnt 1-2-Aux1, REX 1-2-Aux1                | Yes (Hold A/B) | Yes  |
| 3 Door / 2 Direction*           | Relay 1-2-Aux1, Doorcnt 1-2-Aux1                              | No             | Yes  |
| 4 Door / 1 Direction*           | Relay 1-2-Aux1-Aux2, Doorcnt 1-2-Aux1-Aux2, REX 1-2-Aux1-Aux2 | Yes (Hold A/B) | Yes  |
| 4 Door / 2 Direction*           | Relay 1-2-Aux1-Aux2, Doorcnt 1-2-Aux1-Aux2                    | No             | Yes  |

\* Coming Soon

# MPA2 ACCESS CONTROL PANEL

| MPA2 READER/DOOR CONFIGURATIONS |  |   |
|---------------------------------|--|---|
|                                 | SPECIFICATIONS                                     | MPA2  |
| Communications                  | Built-in Communication Options                     | Ethernet; RS-485; USB   |
|                                 | I/O Expansion Module Connectivity                  | Use RS-485 Port to connect a maximum of 6 downstream I/O modules (NX4) <sup>(4)</sup> (4 Output and 2 Input)  |
|                                 | Controller Loop Capability                         | EVL: 16 MPA2 or NetAXS123<br>RS-485: 31 MPA2 and/or NetAXS123 panels total <sup>(1,2)</sup>   |
| Readers/Doors                   | Door/Reader Capability                             | 2 Door/4 Readers - 4 Door/8 Readers <sup>(3)</sup>  |
|                                 | Expandability                                      | Expandable to 62 Doors/124 Readers per controller loop <sup>(1,2)</sup>   |
|                                 | Reader Compatibility                               | OSDP:V2 and Standard Wiegand Protocol supported   |
| Outputs                         | Number of Outputs                                  | 4 SPDT (jumper-selectable NO or NC contacts) per door rated at 3 A @ 28 VDC; 4 Open Collector outputs (OC) rated at 16 mA @ 12 VDC: Reader LED (Aux) and Reader Buzzer (Aux) per door are available |
|                                 | Output Expandability                               | Expandable to 72 total outputs using max. 4 NX4 Relay Output Boards <sup>(4)</sup>  |
|                                 | Relay Power Source                                 | Selectable: 12 VDC Self-Powered source or 0–28 VDC externally supplied source   |
| Inputs                          | Number of Inputs                                   | 8 (+4) Configurable four-state supervised input points (Factory Default Settings are: Status, REX, Reader Tamper A, Reader Tamper B, Power Fail, and General Input)                                 |
|                                 | Input Expandability                                | 4 Inputs Expandable to 14 with max. 2 NX4IN Relay Input Boards <sup>(4)</sup>   |
|                                 | Panel Tamper (3X)                                  | Panel Door, Off-Wall and External Tamper  |
| Power Inputs                    | Unit Input   | 100 to 240 VAC, 50/60 Hz Input provides 13,8 VDC, 4 A Output, Battery Voltage Low Shutdown at 10.50V  |
|                                 | Socket or Hardware AC Input (IEC)                  | MPA1002UMPS only  |
|                                 | Control Board Power Input                          | 13,8 VDC from included Power Supply   |
| Power Outputs                   | Power for Locks/Strikes/Reader(s)/Input Devices    | 1,25 A per door for locks/strikes, Readers, and Input Devices (2,5A @ 12VDC Total)  |
|                                 | Backup Battery System                              | 12 VDC, 7 Ah Battery  |
| Enclosure                       | Material   | Metal   |
|                                 | Wiring Access Holes/Knockouts                      | 24  |
| Installation                    | Removable Terminal Blocks with Colour-coded Labels | Battery/PSU   |
|                                 | Graphic Wiring Info Cards/Labels                   | Yes   |
|                                 | Captive Mounting Hardware                          | Yes   |
| System Information              | Real Time Clock                                    | Global Geographic Time Zone support; Daylight Saving Time support   |
|                                 | Clock Synchronization                              | Yes: via NTP Network Server   |
|                                 | Processor  | IMX6-X1   |
|                                 | System Mean Time Between Failures                  | 250,000 Hours   |
|                                 | Temperature Ratings                                | Operating: 0°C to 49°C (32°F to 120°F)<br>Storage: -55°C to 85°C (-67°F to 185°F)   |
|                                 | Humidity   | 93% Non-Condensing  |
| Physical                        | Certifications and Approvals                       | EMC/CE and FCC Compliant; UL 294 Listing, ULC319  |
|                                 | Dimensions   | 14.1 inch (360 mm) x 16.1 inch (410 mm) x 4.3 inch (110 mm)   |
|                                 | Weight   | 6.0 Kg approx. (Battery not included - Includes Control Panel and Power Supply)   |

(1) RS-485 Panel Loop: A total of 31 MPA2 (Version 1.0.3.37 or higher) and NetAXS123 (Version 6.01.12 or higher) Panels may be combined in a Controller Loop for a maximum of 123 Doors. NetAXS-4 Panels cannot be used with an EVL.

(2) When mixing MPA2 and NetAXS123 Controllers, MPA2 must be the Primary Panel and the Panel Loop must be RS-485.

(3) Coming Soon

(4) USA Only

# MPA2 ACCESS CONTROL PANEL

| SPECIFICATIONS         |                                       |  |
|------------------------|---------------------------------------|--|
|                        | SPECIFICATIONS                        | MPA1002E(U)MPS   |
| LEDs                   | Status LEDs                           | 12 LEDs total (13,8V Power, PoE, Battery Ready, Over Current, Ethernet, RS-485, Reader(s), Door State, Run, Relay Status, Wiegand Comm. OSPD Comm)   |
| Host                   | Software Compatibility <sup>(1)</sup> | MAXPRO® Cloud, WIN-PAK® XE/SE/PE/CS, Web Services  |
|                        | MPA2 as Primary Panel                 | Supported Downstream Panels include MPA2 and NetAXS123 <sup>(2,3)</sup>  |
|                        | NetAXS123 as Primary Panel            | Supported Downstream Panels include MPA2 and NetAXS123 only <sup>(2,3)</sup>   |
|                        | Using N-485-PCI-2/PCI-3 Converter     | Not Supported  |
| Door Control           | Door Control Modes                    | Card only; Card and PIN; Card or PIN; PIN only; Lockdown; Disabled; Supervisor; Escort; Limited use card; Expire on date; First Card Rule; Snow Day Rule; Time Zone Toggle; Anti-Passback; Duress <sup>4</sup> |
|                        | Interlocks For Customer Actions       | Yes  |
|                        | Anti-Passback Capability              | Local and Global Capability; Hard and Soft Implementation  |
| Cards and Database     | Card and Event Buffer Capacity        | 100.000 Card Capacity <sup>(6)</sup> ; 100.000 Event Capacity  |
|                        | Firmware Revision                     | On-board Flash Memory for Field Firmware Revision Updates and Feature Expansion  |
|                        | Offline Database Backup Available     | Card and Configuration Databases   |
|                        | Export Capabilities                   | Card Database; Alarms and Events (CSV format) <sup>(4)</sup>   |
|                        | Number of Card Formats                | 128 unique card formats can be supported <sup>(4)</sup>  |
|                        | Site Codes                            | 8  |
|                        | Maximum Card Format Size              | 75-bit (maximum card # = 64-bits) <sup>(4,5)</sup>   |
|                        | Time Zones                            | 127 <sup>(4)</sup>   |
|                        | Access Levels                         | 65535 <sup>(6)</sup>   |
| Reporting and Analysis | Holidays                              | 255 <sup>(4)</sup>   |
|                        | Integrated Basic Reports              | Yes  |
|                        | Import/Export of Card Database        | Yes  |
| Web                    | Alarm/Event Export                    | Yes  |
|                        | Supported Browsers                    | Google Chrome (preferred)  |

(1) Software compatibility for MPA2: All MPA2 versions programmed as NetAXS123; WIN-PAK® SE; WIN-PAK® PE; WIN-PAK® PRO CS; WIN-PAK® CS 4.80 or greater.

(2) RS-485 panel loop: A total of 31 MPA2 (version 1.0.3.37 or higher) and NetAXS123 (version 3.04.15 or higher) panels may be combined in a controller loop for a maximum of 62 doors. NetAXS-4 panels cannot be used with an EVL.

(3) When mixing MPA2 and NetAXS123 controllers, MPA2 must be the Primary panel and the panel loop must be RS-485.

(4) When using WIN-PAK® software, this feature may have limitations.

(5) Suitable for handling the 75-bit transparent card format of PIV, TWIC, and FRAC cards.

(6) Coming soon

# MPA2 ACCESS CONTROL PANEL

## ORDERING

### SOLUTIONS

|              |   |
|--------------|---|
| MPA1002E-MPS | MPA2 - 2(4) <sup>(1)</sup> Door Access Control Solution (Europe). Includes: MPA2C1, MPA2ENCM, 2x MPA2RJ, MPA2BAT7 |
|--------------|---|

### ACCESSORIES

|        |   |
|--------|---|
| MPA2C1 | MPA2 - All-in Smart Access Control Panel only |
|--------|---|

|          |                                 |
|----------|---------------------------------|
| MPA2ENCM | MPA2 - Metal Enclosure (Europe) |
|----------|---------------------------------|

|        |                                |
|--------|--------------------------------|
| MPA2RJ | RJ45 to 8 Screw Terminal block |
|--------|--------------------------------|

|          |                                 |
|----------|---------------------------------|
| MPA2BAT7 | (=NXBAT7) 7Ah Lead Acid Battery |
|----------|---------------------------------|

(1) USA only (coming soon).

#### For More Information

[www.security.honeywell.com/me](http://www.security.honeywell.com/me)

#### Honeywell Commercial Security

Emaar Business Park, Building 2  
Sheikh Zayed Road  
P.O. Box 232362  
Dubai, United Arab Emirates  
Tel: +971 4 450 5800  
Email: [security\\_META@honeywell.com](mailto:security_META@honeywell.com)

[www.honeywell.com](http://www.honeywell.com)

HSA-MPA2-01-ME(0420)DS-E  
© 2020 Honeywell International Inc.

THE  
FUTURE  
IS  
WHAT  
WE  
MAKE IT

**Honeywell**