

# DT-7435EU

## DUAL TEC Pet Immune Motion Sensor



The fully-featured DUAL TEC® DT-7435EU motion sensor achieves reliable protection (with pet immunity for up to 18 kg) and improved false alarm immunity through DualCore™ signal processing. K-Band microwave technology and Uniform Sensitivity Optics ensure optimum performance.

## Features

- **Reliable Detection with 18 kg Animal Immunity**

The combination of DualCore signal processing, Uniform Sensitivity Optics and KBand technology, provides installers with both quality detection and the ability to ignore pets or other animals up to 18 kg.

- **Advanced DualCore Signal Processing**

DualCore signal processing analyzes PIR and microwave signals through the microcontroller. It supports a multitude of advanced functions, including Concurrent Diagnostics, Digital Fluorescent Light Interference Filter, Digital Adaptive Microwave Threshold, adaptive baselines, and Bi-Directional Temperature Compensation.

- **Superb Detection Through K-Band Technology**

K-Band microwave technology delivers sharp detection without holes or weak spots. The custom made source offers pattern shaping to fill the protected area with a broad, balloon-shaped pattern which matches the PIR pattern. It also offers pattern containment to reduce the penetration of microwave energy through walls.

- **Uniform Sensitivity Optics**

The custom-designed Fresnel lens provides the same sensitivity for human targets at the edge of the pattern as exists directly in front of the sensor, giving the DT-7435EU consistent coverage throughout the protected area.

- **Digital Adaptive Microwave Thresholds**

The DT-7435EU digitally adjusts its thresholds to account for room disturbances such as ceiling fans and other repetitive moving objects which are not intrusion events. The result is excellent false alarm immunity even in “active” rooms.

- **Concurrent Diagnostics**

Optimum performance and reliability are assured through comprehensive diagnostics that do not compromise detection during testing. In addition to performing a full selftest upon power-up, microwave supervision is performed continuously; PIR supervision is performed once every hour. Temperature compensation is monitored and updated every 30 seconds.

# DT-7435EU

## DUAL TEC Pet Immune Motion Sensor

Specifications	
Range	11m x 11m
Alarm Relay	Energized Form A 125mA, 25V dc, 20 ohm series resistor
Mounting Height	2.3m optimal
Tamper	(NC) 50mA, 24V dc
Power Requirements	7.5–16V dc, 25 mA typ., 30mA max at 12V dc, AC Ripple: 3V peak-to-peak at 12V dc nominal
Frequencies	24.125GHz (K-Band)
PIR White Light Immunity	6,500 Lux typical
RFI Immunity	30V/m, 10MHz – 1000MHz
Operating Temperature	-10° to 55°C 5% – 95% relative humidity (non-condensing)
Self-Test Intervals	Microwave Supervision: Continuous PIR Self-Test: Once every hour Temp. Compensation: Every 30 seconds
PIR Fields of View	22 long range, 12 intermediate, 6 lower, 4 look-down
Dimensions	11.9cm x 7.1cm x 4.2cm
Sensitivity	Standard: 3-4 steps, Intermediate: 2-3 steps

### Ordering:

#### DT-7435EU

DUAL TEC Pet Immune Motion Sensor

### Accessories:

#### SMB10

Universal White Swivel Mount Bracket (5 pack)

#### SMB10C

Universal White Ceiling Mount Bracket (5 pack)

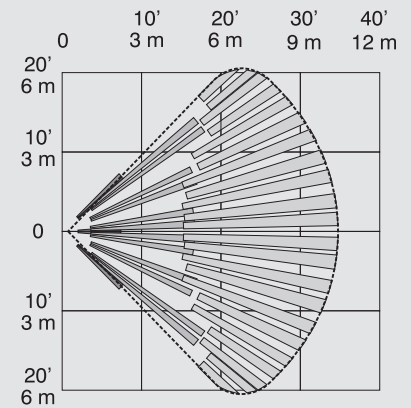
#### SMB10T

Tampered Universal White Swivel Mount Bracket (5 pack)

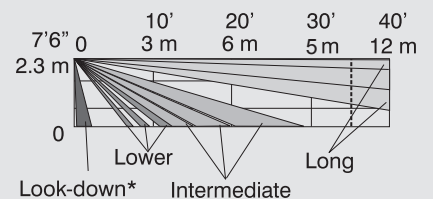
Note: Swivel mount brackets should not be used for pet immune applications.

### Detection patterns:

#### • Top View



#### • Side View



\* Look-down fingers are enabled only when the look-down mask is removed.

### Honeywell Security & Custom Electronics

Network 121

1446 WV Purmerend

The Netherlands

Tel : +31 (0) 299-410200

Fax : +31 (0) 299-410201

[www.honeywell.com/security/nl](http://www.honeywell.com/security/nl)

HSCE-DT7435EU-01-ENX(0107)DS-C  
January 2007  
© 2007 Honeywell International Inc.

# Honeywell