

## HDZ Series Cameras Mounts

PTZ Dome Camera Accessories HDZNPTA/  
HDZJB/HDZWM1/HDZWM2/HDZCM1/  
HDZCM2/HDZCM3/HDZCMA/HDZPMA

Honeywell is taking quality and reliability to the next level with this range of mounts and accessories for the HDZ IR PTZ cameras. The mounts can be used to install the 1080p IR range of PTZ IP dome cameras in the HDZ series to a variety of surfaces and installation scenarios, giving maximum flexibility for positioning the PTZ cameras.

The simple, solid design of these mounts is an installer's first choice for ease of installation. All of the mounts provide easy cable routing and the PTZ domes can be installed, adjusted, and tested without repositioning the housing. The ceiling mount and extension poles all use a G1.5 thread for easy installation.

All the mounts feature die-cast aluminum or galvanized steel construction with an off-white powder coating finish that exactly matches the cameras' finish.

### Market Opportunities

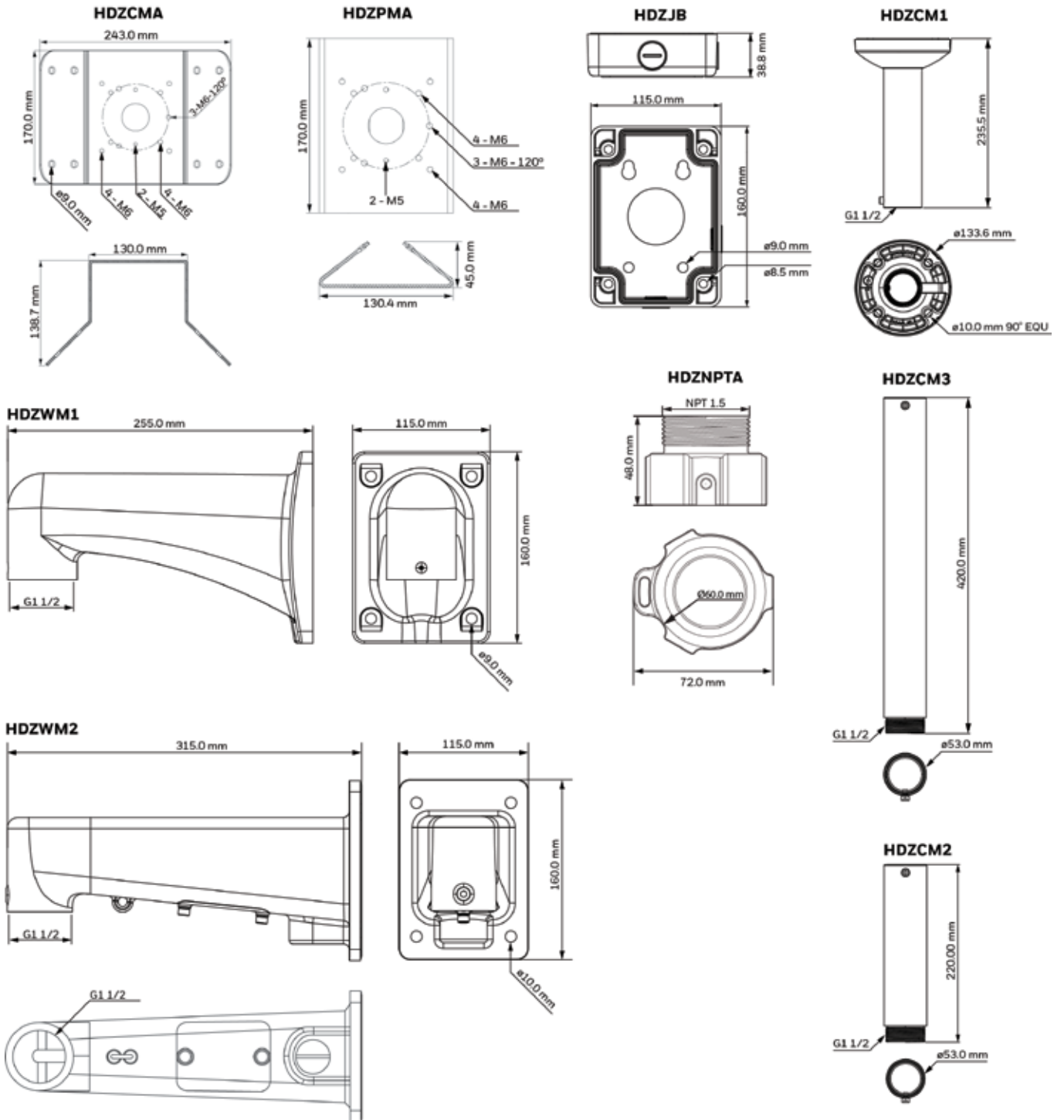
Honeywell's range of mounts and accessories for the HDZ IP PTZ domes provide performance and strength you can depend on. The attractive design, impact-resistant construction, and range of mounting options make these mounts the best solution for all of your indoor and outdoor PTZ dome applications.



## FEATURES & BENEFITS

FEATURES	LOW PROFILE, CONTEMPORARY DESIGN	ECONOMICALLY PRICED	EASY CABLE FEED-THROUGH	CONCEALED WIRING	DIE-CAST ALUMINUM CONSTRUCTION	SECC CONSTRUCTION	OFF-WHITE POWDER FINISH	INDOOR/ OUTDOOR
HDZCMA	✓	✓	✓	✓		✓	✓	✓
HDZPMA	✓	✓	✓	✓		✓	✓	✓
HDZCM1	✓	✓	✓	✓	✓		✓	✓
HDZCM2	✓	✓	✓	✓	✓		✓	✓
HDZCM3	✓	✓	✓	✓	✓		✓	✓
HDZJB	✓	✓	✓	✓	✓		✓	✓
HDZWM1	✓	✓	✓	✓	✓		✓	✓
HDZWM2	✓	✓	✓	✓	✓		✓	✓
HDZNPTA	✓	✓	✓	✓	✓		✓	✓

# HDZ Series Cameras Mounts Dimensions



# HDZ Series Cameras Mounts Technical Specifications

MECHANICAL			
MODEL NO.	WEIGHT	CONSTRUCTION/FINISH	DIMENSIONS
HDZCMA	0.93 kg (2.05 lb.)	SECC/White powder coating	130.4 mm x 170.0 mm x 45.0 mm (5.1" x 6.7" x 1.8")
HDZPMA	1.7 kg (3.7 lb.)	SECC/White powder coating	170.0 mm x 243.0 mm x 138.0 mm (6.7" x 9.6" x 5.4")
HDZCM1	0.78 kg (1.72 lb.)	Die-cast aluminum + polycarbonate/White powder coating	235.5 mm x Ø133.6 mm (9.27" x Ø5.26")
HDZCM2	0.51 kg (1.12 lb.)	Die-cast aluminum/White powder coating	220.0 mm x Ø53.0 mm (8.7" x Ø2.1")
HDZCM3	1.04 kg (2.29 lb.)	Die-cast aluminum/White powder coating	420.0 mm x Ø53.0 mm (16.5" x Ø2.1")
HDZJB	0.66 kg (1.46 lb.)	Die-cast aluminum/White powder coating	255.0 mm x 115.0 mm x 160.0 mm (10.0" x 4.5" x 6.3")
HDZWM1	1.65 kg (3.64 lb.)	Die-cast aluminum/White powder coating	315.2 mm x 115.0 mm x 160.0 mm (12.4" x 4.5" x 6.3")
HDZWM2	0.53 kg (1.17 lb.)	Die-cast aluminum/White powder coating	160.0 mm x 115.0 mm x 38.8 mm (6.3" x 4.5" x 1.5")
HDZNPTA	0.23 kg (0.5 lb.)	Die-cast aluminum/White powder coating	48.0 mm x 72.0 mm (1.9" x 2.8")

INDOOR INSTALLATIONS	
PTZ Ceiling Mount	HDZ302LIW/HDZ302LIK + HDZCM1
PTZ + 220 mm Extension Ceiling Mount	HDZ302LIW/HDZ302LIK + HDZCM1 + HDZCM2
PTZ +420 mm Extension Ceiling Mount	HDZ302LIW/HDZ302LIK + HDZCM1 + HDZCM3
OUTDOOR INSTALLATIONS	
PTZ Wall Mount	HDZ302LIW/HDZ302LIK + HDZWM1/HDZWM2
PTZ Wall Mount with Junction Box	HDZ302LIW/HDZ302LIK + HDZWM1/HDZWM2 + HDZJB
PTZ Pole Mount	HDZ302LIW/HDZ302LIK + HDZWM1/HDZWM2 + HDZJB + HDZPMA
PTZ Corner Mount	HDZ302LIW/HDZ302LIK + HDZWM1/HDZWM2 + HDZJB + HDZCMA

## ORDERING

HDZCM1	PTZ Ceiling Mount	HDZPMA	PTZ Pole Mount Adapter for Wall Mount
HDZCM2	Ceiling Mount Extension Pole for HDZCM1, 220 mm	HDZJB	PTZ Junction Box
HDZCM3	Ceiling Mount Extension Pole for HDZCM1, 420 mm	HDZWM2	PTZ Wall Mount with Access Hole
HDZWM1	PTZ Wall Mount	HDZNPTA	1.5NPT Adaptor
HDZCMA	PTZ Corner Mount Adapter for Wall Mount		

**For more information**

[www.honeywell.com/security/me](http://www.honeywell.com/security/me)

**Honeywell Security and Fire**

Emaar Business Park  
Sheikh Zayed Road Building No. 2  
3rd Floor, Office No. 301  
Post Office Box 232362, Dubai  
United Arab Emirates  
Tel: +971 4 450 5800  
Fax: +971 4 450 5900  
[www.honeywell.com](http://www.honeywell.com)

HSFV-HDZMounts-01-ME(0816)DS-E  
August 2016  
© 2016 Honeywell International Inc.

**Honeywell**