

4 MP HQA WDR IR Mini Dome Cameras

HD72HD4/HD274HD4

Supercharge your analogue security system with Honeywell's HQA technology for high definition 4 MP images over your existing coax infrastructure. The Performance Series 4 MP HQA line includes a wide range of high performing IR cameras that are easy to install and even easier to use.

Superior Image Quality

- Full HD 4 MP 12.5/15 fps image (25/30 fps @ 1080p) with a 1/3" 4.1 MP sensor
- Long distance transmission over coaxial cable with low attenuation and latency—up to 500m (1,640ft) using RG-59
- True Day/Night provides vivid color images by day and clear black-and-white images at night with ICR
- Excellent low-light performance with 2D/3D noise reduction

Flexible Surveillance Solution

- 2.8 mm fixed lens (HD72HD4) or 2.7-12 mm Motorized Focus Zoom (MFZ) VF lens (HD274HD4)
- IR LEDs provide up to 30m (100ft) of illumination in dimly lit or nighttime scenes (depending on scene reflectance)
- Smart IR technology provides even distribution of IR
- Weatherproof (IP66) and impact-resistant (IK10) camera housing
- -30°C to 60°C (-22°F to 140°F) working temperature
- Plug-and-play compatible with Honeywell HRHT 4/8/16-channel Performance Series HQA DVRs

Easy to Install and Use

- HD72HD4: 12 VDC power input; HD274HD4: 12 VDC/24 VAC power input
- Uses existing BNC cabling—no rewiring required
- Compatible with Honeywell's HQA-WK wall mount
- Remote configuration through web client or from the DVR



HD72HD4



HD274HD4

These flexible, fully featured cameras are ideal for a wide range of surveillance applications, providing excellent picture quality at an affordable price.

FEATURES

- Low-light performance down to 0.01 lux (color) or 0 lux with IR LEDs on
- 120 dB True WDR supported
- HQA/CVBS video output
- Pole mount and corner mount options available

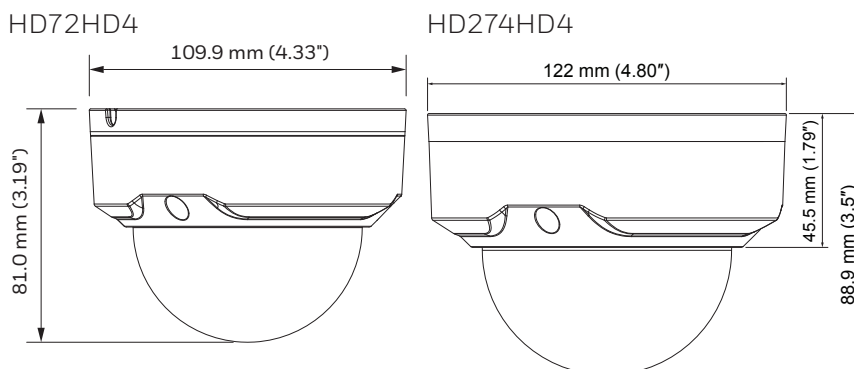
4 MP HQA WDR IR Mini Dome Cameras

HD72HD4/HD274HD4

SPECIFICATIONS

OPERATIONAL	
VIDEO STANDARD	NTSC/PAL
SCANNING SYSTEM	Progressive scan
IMAGE SENSOR	1/3" 4.1 MP CMOS
NUMBER OF PIXELS (H×V)	2688 (H) x 1520 (V)
ELECTRONIC SHUTTER SPEED	NTSC: 1/3 – 1/100 000 s; PAL: 1/4 – 1/100 000 s
MINIMUM ILLUMINATION	HD72HD4: 0.01 lux @ F1.5 (color) 0 lux (B/W with IR LEDs on) HD274HD4: 0.01 lux @ F1.3 (color) 0 lux (B/W with IR LEDs on)
S/N RATIO	65 dB or more
RESOLUTION	4 MP (2560 x 1440)
FRAME RATE	12.5/15 fps @ 4 MP; 25/30 fps @ 1080p, 720p
VIDEO OUTPUT	1-channel BNC high definition video output; 1-channel BNC CVBS video output
IR LEDs	HD72HD4: 12; HD274HD4: 2
IR DISTANCE	Up to 30 m (100 ft), depending on scene reflectance
DAY/NIGHT	Auto (ICR)/Color/BW
NOISE REDUCTION	2D/3D
LENS	HD72HD4: 2.8 mm Fixed HD274HD4: 2.7-12 mm MFZ VF
HORIZONTAL ANGLE OF VIEW	HD72HD4: 79°; HD274HD4: 98°-26°
ELECTRICAL	
POWER SUPPLY	HD72HD4: 12 VDC ±25% HD274HD4: 12 VDC ±25% / 24 VAC ±25%
POWER CONSUMPTION	HD72HD4: 4.4 W max. (IR LEDs on) HD274HD4: 10.1 W max. (IR LEDs on)
MECHANICAL	
DIMENSIONS	HD72HD4: Φ 109.9 × 81.0 mm (Φ 4.3 × 3.2 in) HD274HD4: Φ 122.0 × 88.9 mm (Φ 4.8 × 3.5 in)
WEIGHT	HD72HD4: 0.33 kg (0.73 lb.) HD274HD4: 0.48 kg (1.06 lb.)
CONSTRUCTION	Die-cast aluminum housing
COLOR	RAL 9003 (White)

ENVIRONMENTAL	
OPERATING TEMPERATURE	-30°C to 60°C (-22°F to 140°F) *Startup should be done at above -30°C (-22°F)
STORAGE TEMPERATURE	-30°C to 60°C (-22°F to 140°F)
RELATIVE HUMIDITY	0-90%, non-condensing
INGRESS PROTECTION	IP66
IMPACT RESISTANCE	IK10
REGULATORY	
EMISSIONS	EN 55032:2012+AC:2013
IMMUNITY	EN 50130-4:2011, EN 55024:2010
SAFETY	EN 60950-1:2006+A11:2009+A1:2010+A12:2011+A2:2013
RoSH	EN 50581:2012
SYSTEM COMPATIBILITY	
HRHT	Hybrid 4 MP HQA DVRs
MOUNTS	
WALL MOUNT	HQA-WK2
JUNCTION BOX	HQA-BB2
POLE MOUNT (REQUIRES HQA-BB2)	HQA-PM2
CORNER MOUNT (REQUIRES HQA-BB2)	HB34S2-CM



ORDERING

HD72HD4	4 MP HQA WDR IR Dome Camera, 1/3" CMOS, 4 MP, 2.8 mm Fixed Lens, 12 IR LEDs, 12 VDC
HD274HD4	4 MP HQA WDR IR Dome Camera, 1/3" CMOS, 4 MP, 2.7-12 mm MFZ VF Lens, 2 High-Powered IR LEDs, 12 VDC / 24 VAC

For more information

www.honeywell.com/security/uk

Honeywell Security and Fire

Aston Fields Road
Whitehouse Industrial Estate
Runcorn
Cheshire WA7 3DL
Tel: 08448 000 235
www.honeywell.com

Honeywell reserves the right, without notification, to make changes in product design or specifications.

HSFV-HQAMinidome-01-UK(0717)-DS-R
© 2017 Honeywell International Inc.

Honeywell
THE POWER OF **CONNECTED**