

# ULTRAKEY PLUS

Fully programmable keyboard with color touch screen lcd

The UltraKey Plus keyboard represents an industry-leading approach to intelligent, user-friendly control of video management systems.



Designed to take full advantage of the powerful features of Honeywell's video matrix and management systems, UltraKey Plus incorporates a large backlit color touch screen LCD that can easily be configured with hundreds of menus and accessed dynamically using both hard key and soft key selections. Multiple control interface options are available including RS232, RS485, RS422 and Ethernet, with Power over Ethernet (PoE). And the UltraKey Plus has a web browser that can be used to configure basic parameters and upgrade firmware.

Dedicated hard keys are provided for common selections such as alternate camera, PTZ call, PTZ iris, focus, preset, Salvo and sequence selection, tours, review, search, user-programmed DVR or NVR control functions, and alarm acknowledge, selection and control. Selecting any of these keys will execute a function or dynamically select a menu on the LCD touch screen. A touchpad allows jog controls and is surrounded by a four-button touchpad ring offering the most efficient playback operation possible. All hard buttons and soft buttons including the touchpad can be intercepted in MAXPRO® and Pro-Watch® VMS or MAXPRO-Net allowing the keys to be programmed for any function the user desires. All hard keys have laser cut legends that will never fade and are backlit with dimmable blue LEDs.

The rate-proportional joystick allows control of variable speed PTZ mechanism or digital PTZ during playback. Two focus buttons and a centrally located joystick and iris button accommodate either right- or left-handed users. The UltraKey Plus also incorporates a soft rubber wrist rest that is field replaceable.

## MARKET OPPORTUNITIES

With its programmable control and interface options, UltraKey Plus offers an innovative and efficient method of operating medium and large video management systems (from hundreds to thousands of cameras). The result is unsurpassed control of any function within the video management system for markets including gaming, airports, government and more.

## FEATURES AND BENEFITS



Fully programmable customized menus and LCD color touch screen

All buttons fully programmable

Soft keys support different colors and text



Ergonomic design with padded wrist rest, Touch pad and touch ring

Variable-speed joystick with integral zoom control

Dedicated keys for commonly used functions and Dynamic menu selection



Multiple interface options (RS232, RS485, RS422 software selectable and Ethernet)

Power over Ethernet capable

Locking power connector



Web interface for configuration and firmware upgrades

Laser cut backlit keys

Replaceable rubber wrist pad

# ULTRAKEY PLUS

## TECHNICAL SPECIFICATIONS

### OPERATIONAL

Compatibility	MAXPRO-Net, Pro-Watch and MAXPRO VMS, MAX-1000, VideoBloX standard and NetCPU
Communication Speeds	9600, 19200, 38400 baud
Operating Distances	RS485/RS422: 4000' (1219m), RS232: 50' (15.2m), Ethernet 330' (100m)
Color Touch Screen	TFT, LED Backlight, 320x249
Joystick	3-D axis proportional control
Keypad	Momentary, push-button, numeric and standard menu commands
Touch Wheel	Touch sensitive with 4 button touch ring
PTZ Dome Control	Full PTZ control using joystick, keypad control of iris open/close/auto and focus far/near/auto

### ELECTRICAL

Input Voltage	100 - 240 VAC
Operating Voltage	10.8 to 13.2 VDC @ 1 A or POE (48 VDC, Class 3)
Power Consumption	12 W

### MECHANICAL

Dimensions (W x H x D)	17.22" x 8.76" x 3.31" (437 mm x 222 mm x 109 mm)
Shipping Weight	7 lbs (3.2 kg)
Construction Housing	ABS+PC (cool gray)

### CONNECTIONS

- 1×Ethernet (10Base-T, 100Base-TX) RJ45 with LED
- 1×RS232/422/485 RJ45 with LED
- Locking 12 VDC power connector

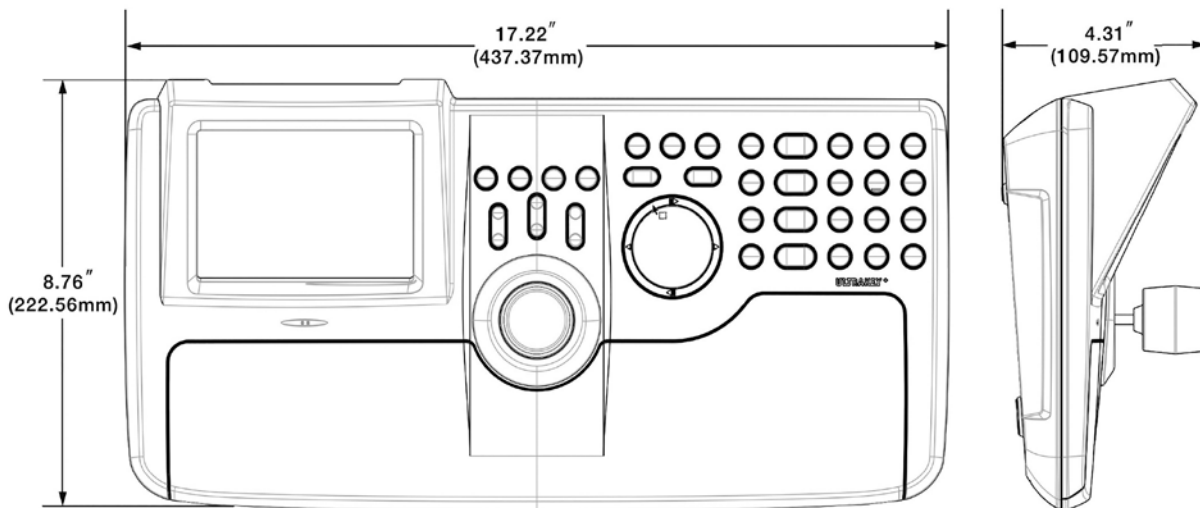
### ENVIRONMENTAL

Temperature	Operating: 14 to 131° F (-10 to +55° C) Storage: -40 to 167° F (-40 to +75° C)
Relative Humidity	0%-95% (non-condensing)

### REGULATORY

Emissions	FCC Part 15 class A EN55022 for radiated and conducted emissions, CE: Class B
Immunity	EN50130-4/A2:2003
Safety	UL 60950-1

## HJK7000



### ORDERING INFORMATION

HJK7000	Programmable joystick keyboard with color touch screen includes 100-240 VAC power supply, RJ45 to DB9F (RS232), RJ45 to DB9M (RS422), RJ45 network cable, RJ11 4x6 ribbon cable.
---------	--

**Honeywell Commercial Security**  
715 Peachtree Street NE  
Atlanta, GA 30308  
1.800.323.4576  
www.honeywell.com

*Honeywell reserves the right, without notification, to make changes in product design or specifications.*

HSV-HJK7000-01-US(0320)DS-Z  
© 2020 Honeywell International Inc.

**THE  
FUTURE  
IS  
WHAT  
WE  
MAKE IT**

**Honeywell**