

H4D1F

equiP® SERIES 720P VFAI LENS TRUE DAY/NIGHT H.264 RUGGED INDOOR/OUTDOOR MINIDOME IP CAMERA

Honeywell's latest addition to the equiP® Series of IP-based products, the H4D1F is a high definition, True Day/Night rugged indoor/outdoor fixed minidome network camera. This ultra compact and IK10 rated vandal-resistant camera provides extremely crisp images at minimal bandwidth. The H4D1F provides 720p resolution at full frame rate. Progressive scan technology and 2D edge enhancement provide outstanding clarity and definition. Digital Noise Reduction results in significant storage savings without sacrificing image quality in low light. The 1/4" progressive scan CMOS sensor offers the latest in digital video surveillance technology with accurate colour rendition through a wide variety of lighting conditions. The H4D1F also supports the ONVIF specification for interoperability between network video products.

The H4D1F integrates a camera and lens in an ultra compact, single piece, vandal-resistant unit for fast and easy installation in any application. The camera comes complete with surface and flush mounting options. Wall and pendant mount kits are also available.

In addition to the low light colour performance, the camera will automatically switch to black and white. In this mode, lighting can be complemented with infrared for discreet/covert low light surveillance with exceptional monochrome images.

A 3-D axis gimbal capable of 360° of pan, 180° of tilt and 360° of horizontal rotation simplifies mechanical camera adjustment. The Vari-focal Auto Iris lens allows the field of view to be adjusted to suit the scene requirements.

A powerful and intuitive web client allows fine tuning of the camera and the auto iris levels. This can also be performed from most DVR/NVR setup utilities.

The H4D1F supports dual video streams and multiple compression formats with rates up to 25 frames per second (30 fps for NTSC systems). The compression parameters for the two video streams are independently configurable. The primary stream is dedicated to H.264. The secondary stream can be configured for H.264 or MJPEG. The H4D1F features analogue video out for aiming and focusing during setup.

With built-in low current Power over Ethernet (IEEE 802.3af), power is supplied to the camera using standard network cabling, eliminating the need for a separate power supply and associated wiring. In situations where PoE support does not exist, the unit can also be powered directly from 24V AC.

Market Opportunities

The H4D1F is perfect for installations where excellent picture clarity at minimal bandwidth is required. At three times the resolution of standard analogue cameras, yet with similar bandwidth requirements, the H4D1F can be retrofitted on many existing DVR/NVR installations without requiring additional storage. Its discreet, vandal-resistant (IK10 rating), outdoor design provides maximum protection against dust, dirt and water, and provides optimum performance for both indoor and outdoor applications.

Features

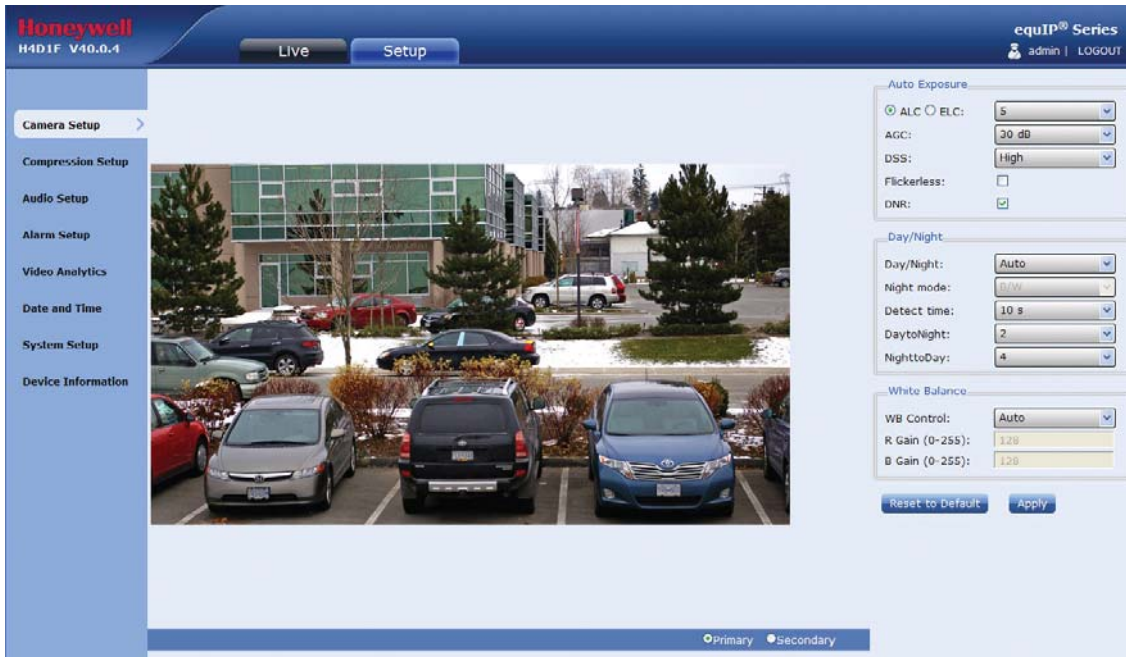
- Outstanding image quality, 720p (1280 x 720) resolution
- 25 fps (30 fps NTSC) progressive scan
- True Day/Night, 3.3-12 mm VFAI lens with removable IR cut filter
- Wide angle and zoom lens options available
- Camera tamper detection
- Video motion detection
- NTP time synchronisation support
- Wall and pendant mount kits available
- ONVIF support
- Dual digital video streams, independently configurable, H.264 and/or H.264/MJPEG
- Remote firmware update
- Supports both dynamic and static IP addresses
- Date/time stamp embedded into video stream
- Multiple browser support
- Includes advanced IP locator software to make system setup easy
- Web server for remote setup of camera video and network parameters
- Choice of 24V AC or PoE IEEE 802.3af power inputs
- Supports input and output alarm contacts
- Supports bidirectional audio
- Rugged polycarbonate dome
- IP66
- Vandal resistant IK10 rating



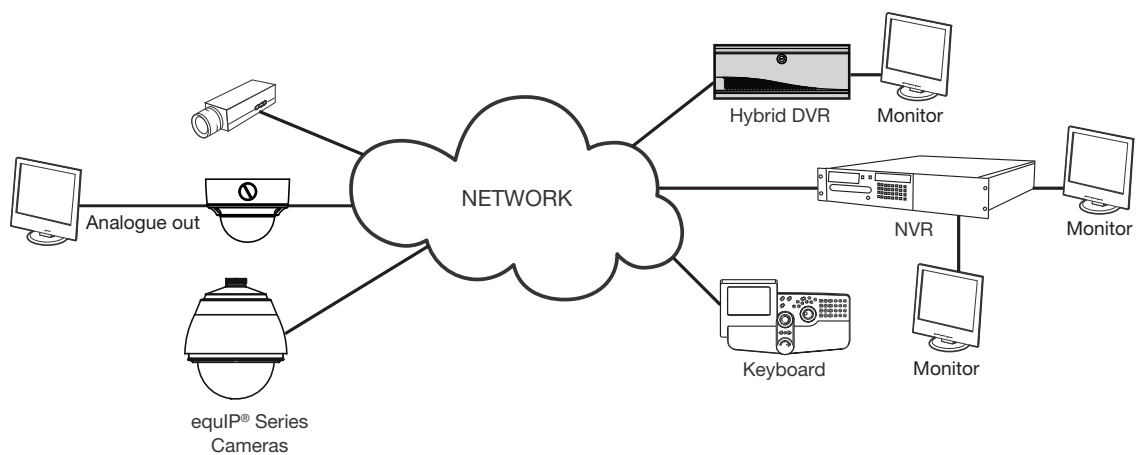
H4D1F

SPECIFICATIONS

Like all cameras in the equiP Series of IP-based products, the H4D1F network camera uses Honeywell technology for camera video motion detection, tamper detection, remote firmware updating and for secure storage of all camera settings. Video motion detection recognises object motion within the field of view; then a simple on-screen notification alerts the user. Camera tamper detection notifies the user when a camera's field of view is altered, blinded or blurred. This ensures the video's integrity and alerts the customer to either a live event or a system problem that is causing disruption to the video stream. Honeywell's technology also allows users to remotely upload firmware to the camera. Setup is quick and easy and can be customised through a web client or from an NVR or DVR. The built-in web server provides password protected access to the camera's video and network setup.



System Diagram



H4D1F

SPECIFICATIONS

| Operational | | | |
|------------------------------|---|-------|--------|
| Video Standard | PAL/NTSC | | |
| Scanning System | Progressive scan | | |
| Image Sensor | 1/4" CMOS | | |
| Number of Pixels (H x V) | 1280 x 720 | | |
| Minimum Illumination | 0.25 lux colour/0.22 lux BW @ 50 IRE, f1.6 0.11 lux colour/0.09 lux BW @ 30 IRE, f1.6 | | |
| Automatic Lens Control | DC Iris Level 1-25 | | |
| Video Output (AUX) | 1.0 Vp-p @ 75 Ohms | | |
| S/N Ratio | 50 dB or more (AGC off) | | |
| Wide Dynamic Range | 69dB | | |
| Auto Gain Control | Off/On, selectable (10-40 dB) | | |
| Automatic Electronic Shutter | 1/60-1/24,500 sec (NTSC) 1/50-1/24,500 sec (PAL) | | |
| Lens Type | True Day/Night (TDN) 3.3-12 mm Varifocal Auto Iris, f1.6 (H4D1F1X) 2.5-6 mm Varifocal Auto Iris, f1.2 (H4D1F2X) 10-28 mm Varifocal Auto Iris, f1.8 (H4D1F3X) | | |
| Angle of View | | Wide | Tele |
| 3.3-12 mm VFAI lens | Horizontal | 68.5° | 19.14° |
| | Vertical | 36.8° | 10.8° |
| 2.5-6 mm VFAI lens | Horizontal | 87.9° | 37.9° |
| | Vertical | 48.6° | 21.3° |
| 10-28 mm VFAI lens | Horizontal | 21.9° | 8.1° |
| | Vertical | 12.1° | 4.6° |
| White Balance | AWC, AWC Push, Manual | | |
| Audio/Two-Way | Line in/out | | |
| Electrical | | | |
| Input Voltage | 24V AC, PoE IEEE 802.3af | | |
| Input Range | 17-28V AC | | |
| Surge Suppression | 1.5 kW transient | | |
| Power Consumption | 3.5 W (max) 24V AC PoE: PD Type 1 Class 1 | | |
| Mechanical | | | |
| Dimensions (W x H) | 154.94 mm x 117.1 mm | | |
| Weight | 1.3 kg camera only | | |
| Construction | Housing: Die Cast Aluminium Finish: Cool Grey Powder Coat Dome: Polycarbonate | | |
| Connector | Video Output (AUX): 2-pin Molex connector Power Input: Removable screw block Network: RJ45 connector Alarm I/O: Removable screw block Audio In: Removable screw block Audio Out: Removable screw block | | |

| Environmental | | | |
|---|---|------------|------------------|
| Temperature | Operating: -30°C to 60°C Storage: -40°C to 70°C | | |
| Relative Humidity | 0% to 85%, non-condensing | | |
| Rating | IP66 | | |
| Vandal Resistant | IK10 rating | | |
| IP Specifications | | | |
| Video Compression | Dual stream H.264 and MJPEG | | |
| Resolution | Bitrate H.264 (Typical)* | Frame Rate | Storage/Day (GB) |
| 1280 x 720 | 1.8 Mbps | 25/30 | 18.98 |
| 800 x 450 | 1.2 Mbps | 25/30 | 12.65 |
| 640 x 360 | 0.6 Mbps | 25/30 | 6.33 |
| 320 x 180 | 0.21 Mbps | 25/30 | 0.89 |
| Frame Rate PAL/NTSC | Up to 25/30 fps video in all resolutions | | |
| Video Streaming | Dual streaming: Controllable frame rate and bandwidth Constant or variable bit rate | | |
| Security | Multiple user access levels with password protection | | |
| Video Access from Web Browser | Full control of all camera settings available to administrator | | |
| Minimum Web Browsing Requirements | Pentium IV CPU 3.1 GHz or faster 1 GB RAM (32-bit) or 2 GB RAM (64-bit) Windows XP® SP3, Windows 2003 Server R2 (32-bit), Windows 7 (32-/64-bit), Windows Vista SP1, Windows 2008 R2 (64-bit) Internet Explorer 8 or 9 Mozilla Firefox® and Google Chrome | | |
| Installation and Management Maintenance | Honeywell IP Utility software identifies the IP address, checks status of device, firmware upgrades over HTTP | | |
| Supported Protocols | HTTP, TCP, RTSP, RTP, UDP, ARP, DNS, NTP, RTCP, FTP, ICMP, DHCP, Bonjour, IGMP, SSH | | |
| Standards | ONVIF support | | |
| Regulatory | | | |
| Emissions | FCC, CE (EN55022) | | |
| Immunity | CE (EN50130-4) | | |
| Safety | EU: EN60950-1 | | |

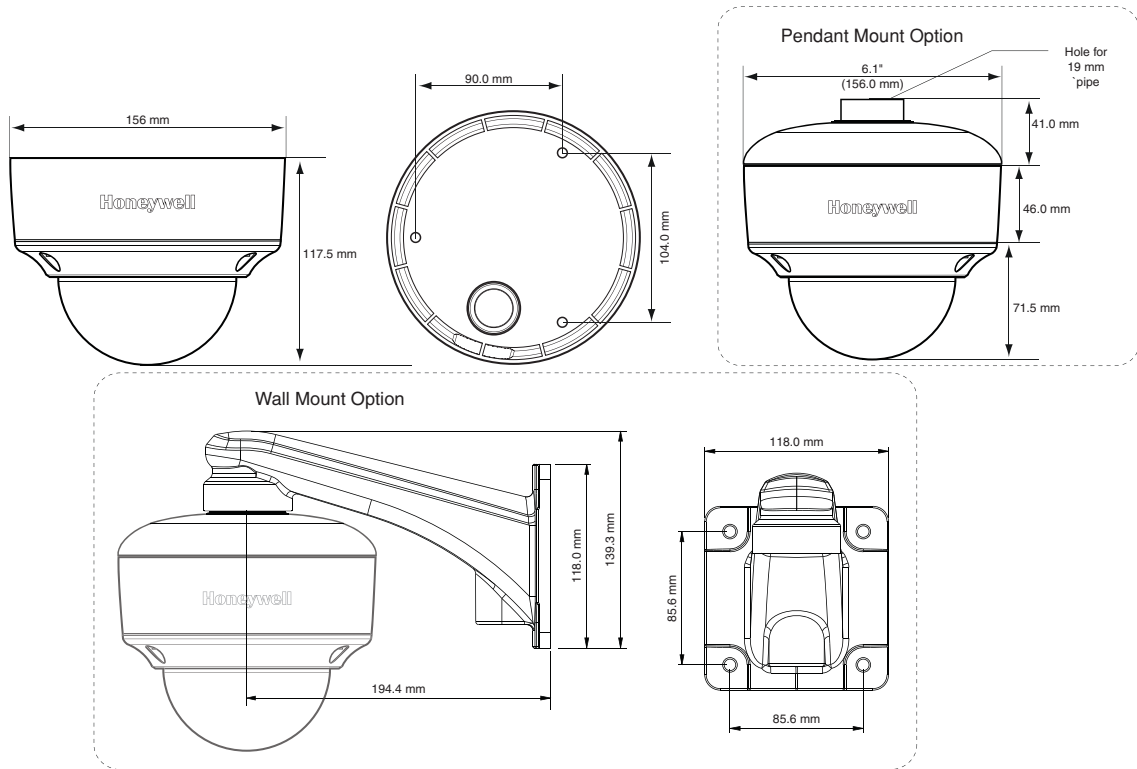
*Actual bitrate is scene and motion dependent with H.264 stream.

H4D1F

SPECIFICATIONS

| System Integration |
|--|
| Open IP Integration |
| ONVIF support and open API for software integration. Refer to www.onvif.org for the ONVIF specification and the Honeywell Open Technology Alliance [http://www.honeywell.com/security/hota] to learn more about our open and integrated solutions. |

| Accessories | |
|--------------------|-----------------------|
| Housing and Mounts | |
| HD4CHIP-PK | Pendant Mount Bracket |
| HD4CHIP-WK | Wall Mount Bracket |



| Ordering | |
|----------|---|
| H4D1F1X | Network TDN Rugged Fixed Minidome Camera, 1/4" Progressive Scan, CMOS, 720p Resolution, 3.3-12 mm VFAL, 24 V AC or PoE IEEE 802.3af, H.264, PAL |
| H4D1F2X | Network TDN Rugged Fixed Minidome Camera, 1/4" Progressive Scan, CMOS, 720p Resolution, 2.5-6 mm VFAL, 24 V AC or PoE IEEE 802.3af, H.264, PAL |
| H4D1F3X | Network TDN Rugged Fixed Minidome Camera, 1/4" Progressive Scan, CMOS, 720p Resolution, 10-28 mm VFAL, 24 V AC or PoE IEEE 802.3af, H.264, PAL |

NOTE: Honeywell reserves the right, without notification, to make changes in product design or specifications.



For additional information,
please visit www.honeywell.com/security/uk

Honeywell Security Group

Aston Fields Road
Whitehouse Industrial Estate
Runcorn
Cheshire
WA7 3DL
Tel: 08448 000 235
www.honeywell.com

HVS-H4D1F-03-UK(0913)DS-E
September 2013
© 2013 Honeywell International Inc.

Honeywell