

## HCD1FX

### equiP® SERIES 720P TRUE DAY/NIGHT H.264 INDOOR BOX IP CAMERA

Honeywell's latest addition to the equiP® Series of IP-based products, the HCD1FX is a high definition, True Day/Night network camera that offers the latest in digital video surveillance. The HCD1FX provides 720p resolution at full frame rate. The 1/4" CMOS network camera combines world-class imaging and camera technology with our equiP® Series IP networking technology, to provide streaming H.264 and MJPEG images at up to 25 frames per second (30 fps for NTSC systems). The HCD1FX supports the PSIA specification for interoperability between network video products.

The HCD1FX day/night camera adapts to varying lighting conditions to ensure the highest picture quality even in extreme low light conditions. When the light level drops too low for accurate video identification in colour, the camera moves the IR cut filter out of the optical path and then switches to black and white video to capture more detail using the increased sensitivity of the CMOS sensor to IR light.

The powerful and intuitive web client allows fine tuning of the camera and the auto iris levels. This can also be performed from most DVR/NVR setup utilities.

The HCD1FX supports dual video streams and multiple compression formats. The digital compression parameters for the two video streams are independently configurable. The primary stream is dedicated to H.264. The secondary stream can be configured for H.264 or MJPEG. The HCD1FX features analogue video out for aiming and focusing during setup.

The HCD1FX has built-in Power over Ethernet (IEEE 802.3af), which allows power to be supplied to the camera using standard network cabling, eliminating the need for a separate power supply and associated wiring. In retrofit situations where PoE support does not exist, the unit can also be powered directly from 24V AC.

#### Market Opportunities

The HCD1FX is a network surveillance solution designed for object recognition in locations where variable and low light conditions exist. Setup is quick and easy and can be customised through a web client or from an NVR. This provides optimum performance for indoor applications, as well as outdoor applications when using an environmental housing.

#### Features

- Outstanding image quality, 720p (1280 x 720) resolution
- 25 fps (30 fps NTSC) progressive scan
- ONVIF support
- Camera tamper detection
- Video motion detection
- NTP time synchronisation support
- Variable day/night threshold setting to accommodate switching to black and white images in low light
- Dual digital video streams simultaneously, independently configurable, H.264 and/or H.264/MJPEG
- Remote firmware update
- Date/time stamp embedded into video stream
- Multiple browser support
- Supports both dynamic and static IP address assignment
- Includes advanced IP locator software to make system setup easy
- Web server for remote setup of camera video and network parameters
- Choice of 24V AC or PoE IEEE 802.3af power inputs
- Multiple levels of password protected remote access prevents unauthorised users from altering system settings
- Supports bidirectional audio



(lens available separately)



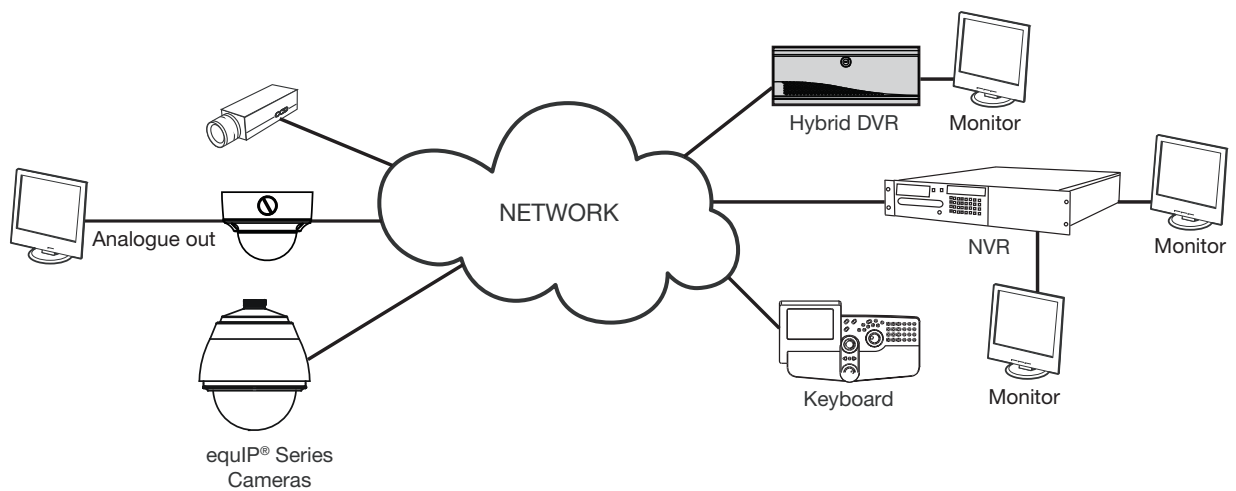
# HCD1FX

## SPECIFICATIONS

Like all cameras in the equip® Series of IP-based products, the HCD1FX network camera uses Honeywell technology for camera video motion detection, tamper detection, remote firmware updating and for secure storage of all camera settings. Video motion detection recognises object motion within the field of view; then a simple on-screen notification alerts the user. Camera tamper detection notifies the user when a camera's field of view is altered, blinded or blurred. This ensures the video's integrity and alerts the customer to either a live event or a system problem that is causing disruption to the video stream. Honeywell's technology also allows users to remotely upload firmware to the camera. Setup is quick and easy and can be customised through a web client or from an NVR or DVR. The built-in web server provides password protected access to the camera's video and network setup.



## System Diagram



# HCD1FX

## SPECIFICATIONS

| Operational                  |  |
|------------------------------|--|
| Video Standard               | PAL/NTSC   |
| Scanning System              | Progressive scan   |
| Image Sensor                 | 1/4" CMOS  |
| Number of Pixels (H x V)     | 1280 x 720   |
| Minimum Illumination         | 0.6 lux colour/0.4 lux BW @ 50 IRE, F1.3<br>0.25 lux colour/0.15 lux BW @ 30 IRE, F1.3   |
| Automatic Lens Control       | DC Iris Level 1-25   |
| Video Output (AUX)           | 1.0 Vp-p @ 75 Ohms   |
| S/N Ratio                    | 50 dB or more (AGC off)  |
| Wide Dynamic Range           | 69dB   |
| Auto Gain Control            | Off/On, selectable (10-40 dB)  |
| Automatic Electronic Shutter | 1/60-1/24,500 sec (NTSC)<br>1/50-1/24,500 sec (PAL)  |
| White Balance                | AWC, AWC Push, Manual  |
| Audio/Two-Way                | Line in/out  |
| Electrical                   |  |
| Input Voltage                | 24V AC, PoE IEEE 802.3af   |
| Input Range                  | 17-28V AC  |
| Surge Suppression            | 1.5 kW transient   |
| Power Consumption            | 5.0 W (max) 24V AC<br>PoE: PD Type 1, Class 1  |
| Mechanical                   |  |
| Dimensions (W x H)           | 135.6 mm x 62.0 mm   |
| Weight                       | 0.5 kg camera only   |
| Construction                 | Housing: Aluminium<br>Finish: Cool Grey Powder Coat  |
| Camera Mount                 | 1/4-20 UNC mounting ring   |
| Connector                    | Video Output: BNC connector<br>Lens: 4 pin connector<br>Power Input: Removable screw block<br>Network: RJ45 connector<br>Alarm I/O: Removable screw block<br>Audio In: 3.5 mm mono phone jack<br>Audio Out: 3.5 mm mono phone jack |

| Environmental                           |   |            |                  |
|---|---|------------|------------------|
| Temperature                             | Operating: -10°C to 50°C<br>Storage: -20°C to 60°C  |            |                  |
| Relative Humidity                       | 0% to 85%, non-condensing   |            |                  |
| IP Specifications                       |   |            |                  |
| Video Compression                       | Dual stream H.264 and MJPEG   |            |                  |
| Primary Stream Resolution               | Bitrate H.264 (Typical)*  | Frame Rate | Storage/Day (GB) |
| 1280 x 720                              | 1.8 Mbps  | 25/30      | 18.98            |
| 800 x 450                               | 1.2 Mbps  | 25/30      | 12.65            |
| 640 x 360                               | 0.6 Mbps  | 25/30      | 6.33             |
| 320 x 180                               | 0.21 Mbps   | 25/30      | 0.89             |
| Frame Rate PAL/NTSC                     | Up to 25/30 fps video in all resolutions  |            |                  |
| Video Streaming                         | Dual streaming: H.264 and MJPEG<br>Controllable frame rate and bandwidth<br>Constant or variable bit rate   |            |                  |
| Security                                | Multiple user access levels with password protection  |            |                  |
| Video Access from Web Browser           | Full control of all camera settings available to administrator  |            |                  |
| Minimum Web Browsing Requirements       | Pentium IV CPU 3.1 GHz or faster<br>1 GB RAM (32-bit) or 2 GB RAM (64-bit)<br>Windows XP® SP3, Windows 2003 Server R2 (32-bit), Windows 7 (32-/64-bit), Windows Vista SP1, Windows 2008 R2 (64-bit)<br>Internet Explorer 8 or 9<br>Mozilla Firefox® and Google Chrome |            |                  |
| Installation and Management Maintenance | Honeywell IP Utility software identifies the IP address, checks status of device, firmware upgrades over HTTP   |            |                  |
| Supported Protocols                     | HTTP, TCP, RTSP, RTP, UDP, ARP, DNS, NTP, RTCP, FTP, ICMP, DHCP, Bonjour, IGMP, SSH   |            |                  |
| Standards                               | ONVIF support   |            |                  |
| Regulatory                              |   |            |                  |
| Emissions                               | FCC, CE (EN55022)   |            |                  |
| Immunity                                | CE (EN50130-4)  |            |                  |
| Safety                                  | EU: EN60950-1   |            |                  |

\*Actual bitrate is scene and motion dependent with H.264 stream.

# HCD1FX

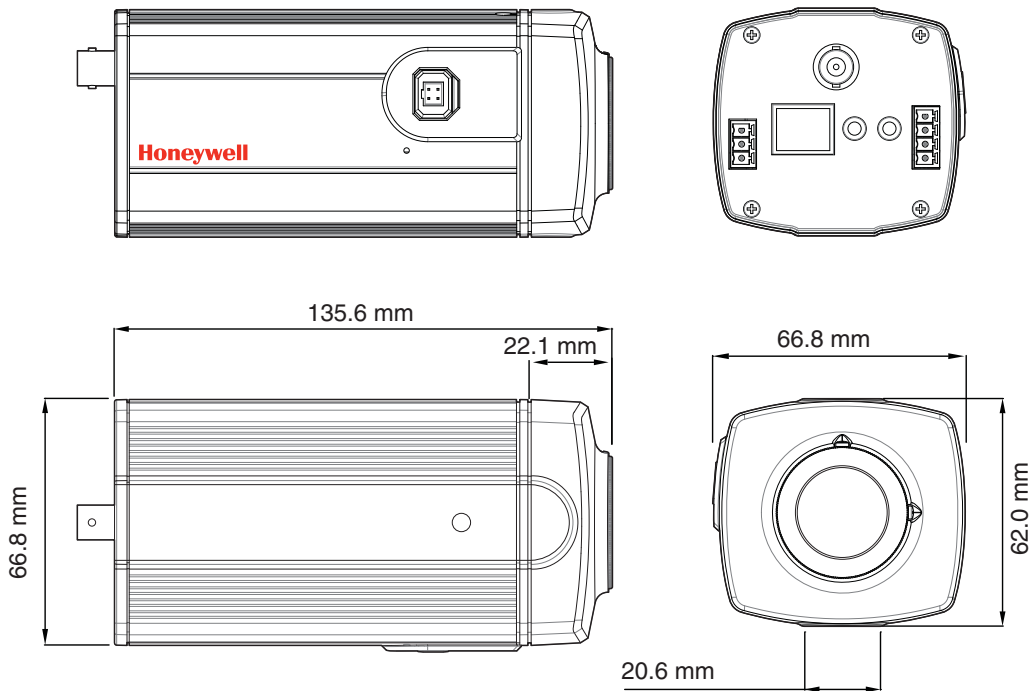
## SPECIFICATIONS

| System Integration   |
|--|
| Open IP Integration  |
| ONVIF support and open API for software integration. Refer to <a href="http://www.onvif.org">www.onvif.org</a> for the ONVIF specification and the Honeywell Open Technology Alliance [ <a href="http://www.security.honeywell.com/hota/">http://www.security.honeywell.com/hota/</a> ] to learn more about our open and integrated solutions. |

| Accessories        |   |
|--------------------|---|
| Housing and Mounts |   |
| HBC5WT             | Wall/ceiling mount bracket                |
| Recommended Lenses |   |
| HLD3V8MPD          | 3-8mm High definition megapixel lens      |
| HLM45V13MPD        | 4.5-13.2mm High definition megapixel lens |

**NOTES:**

\*\*Only a high definition megapixel lens should be used with the HCD1FX camera.



| Ordering |   |
|----------|---|
| HCD1FX   | Network True Day/Night Box Camera, 1/4" Progressive Scan, CMOS, 720p Resolution, 24V AC or PoE IEEE 802.3af, H.264, PAL |

**NOTE:** Honeywell reserves the right, without notification, to make changes in product design or specifications.



For additional information,

please visit [www.honeywell.com/security/uk](http://www.honeywell.com/security/uk)

**Honeywell Security Group**

Aston Fields Road  
 Whitehouse Industrial Estate  
 Runcorn  
 Cheshire  
 WA7 3DL  
 Tel: 08448 000 235  
[www.honeywell.com](http://www.honeywell.com)



HVS-HCD1FX-02-UK(1013)DS-E  
 October 2013  
 © 2013 Honeywell International Inc.

