

HCD Series S

equiP® SERIES S 3 MP / 5 MP TRUE DAY/NIGHT H.264 INDOOR BOX IP CAMERA

Honeywell's HCD Series S True Day/Night indoor box IP cameras offer high definition resolution at full frame rate, progressive scan technology, and edge enhancement for outstanding picture clarity. ONVIF (Profile S) compliance ensures hassle-free, flexible system integration.

Choose the Resolution That's Right for Your Application

- 3 MP H4D3S2X and 5 MP H4D5S2X models.
- Quad stream compression (H.264-1+H.264-2+H.264-3+H.264-4/MJPEG).
- Configure a resolution and frame rate for each selected H.264 stream.

Maximize Bandwidth Without Losing Image Quality

- Highly efficient H.264 video compression.
- 3DNR (Digital Noise Reduction) and proprietary SPQ (Smart Picture Quality) provide significant storage savings without sacrificing image quality in low light.
- CMOS progressive scan imager ensures accurate colour rendition through a wide variety of lighting conditions.

Onboard Video Storage

- Up to 32 GB microSDHC (Class 10) support. Card not included.

Privacy Masking

- Conceal up to 5 areas of a scene from viewing and recording.

Time is Money—Installation and Upgrading Made Easy

- Built-in PoE (Power over Ethernet) eliminates separate power supply and associated wiring. 12 V DC or 24 V AC inputs where PoE power is unavailable.
- Remote configuration and firmware updating through Honeywell Viewer web client or from an NVR/DVR. Password-protected access to the camera's video and network setup.
- Export/import of configuration facilitates quick rollout of multiple cameras.

Market Opportunities

The HCD Series S cameras are perfect for installations that require excellent picture quality at minimal bandwidth. With at least three times the resolution of standard analogue cameras, yet with similar bandwidth requirements, the HCD network cameras can be retrofitted on many existing DVR/NVR installations without requiring additional storage.

Features

- Up to 25 fps (30 fps for NTSC) progressive scan
- True day/night with removable IR cut filter
- Camera tamper detection and video motion detection
- ONVIF support (Profile S)
- Supports both dynamic and static IP addresses and APIPA
- auto-IP addressing
- Multiple browser support
- Up to x8 digital zoom
- Date and time stamp embedded in video stream
- Multiple user access levels with password protection
- Input (x1) and output (x1) alarm contacts
- RS485 interface for connection to pan tilt positioning system
- Bi-directional audio communication



(Lens sold separately)



HCD Series S

FEATURES

Immediately Detect and Respond to Events

The camera can be configured to automatically detect and respond to events such as motion in the scene, alarm inputs, a network failure and/or tampering. Automated responses include:

- Sending a notification through email, FTP and/or HTTP.
- Uploading still images at the time of the event through email and/or FTP.
- Recording a video clip of the event to a configured microSDHC memory card or Network Attached Storage device.
- Enabling a visual or auditory notification (for example, a flashing light, bell or siren).

The screenshot displays the Honeywell equIP Series S web interface. The top navigation bar includes 'Home', 'System', 'Streaming', 'Camera' (highlighted), 'Pan / Tilt', and 'Logout'. The user is logged in as 'Admin'. The main interface is divided into several sections:

- Exposure:** Includes 'Auto Mode' with 'Max Gain' set to 3, 'Auto Iris' (selected), 'Min Shutter Speed' set to 1/4, 'Auto Shutter' (selected), 'Min Shutter Speed' set to 1/4, 'Shutter Priority' (selected), and 'Manual Mode' with 'Shutter Speed' set to 1/60. The 'Gain' is set to 'Off'.
- White Balance:** Includes 'Auto' (selected), 'ATW', and 'Manual'. 'Rgain' is set to 57 and 'Bgain' is set to 54.
- Picture Adjustment:** Includes 'Backlight' set to 'Off'.
- Video Feed:** A central window shows a live video feed of a reception area with a timestamp '2013/12/09 16:22' and a 'Languages' dropdown.
- Video Format:** A panel at the bottom right shows 'Video format' with 'H.264-1' selected and 'H.264-2' unselected. It includes icons for email, microphone, pan, zoom, and iris.
- Zoom:** Includes 'Wide' and 'Tele' buttons.
- Focus:** Includes 'Near' and 'Far' buttons.
- Iris:** Includes 'Close' and 'Open' buttons.
- Bitrate Information:** Lists MJPEG (middle compression, middle quality), H.264-1 (4096 kbps, middle compression), H.264-2 (1024 kbps, high compression, low quality), H.264-3 (1024 kbps, high compression, low quality), and H.264-4 (1024 kbps, high compression, low quality).

HCD Series S

SPECIFICATIONS

Operational	
Video Standard	PAL/NTSC
Scanning System	Progressive scan
Image Sensor	HCD3S2X: 1/3" Progressive CMOS HCD5S2X: 1/2.5" Progressive CMOS
Number of Pixels (HxV)	HCD3S2X: 2048 × 1536 (3 MP) HCD5S2X: 2592 × 1944 (5 MP)
Minimum Illumination	HCD3S2X: 0.3 lux colour/0.01 lux BW @ 50 IRE, F1.2 HCD5S2X: 0.5 lux colour/0.02 lux BW @ 50 IRE, F1.2
Video Output (AUX)	1.0 Vp-p @ 75 ohms
S/N Ratio	50 dB or more (AGC off)
Auto Gain Control	Off/On, selectable (10–40 dB)
Wide Dynamic Range	HCD3S2X: 69 dB HCD5S2X: 70 dB
Automatic Electronic Shutter	1–1/10,000 s PAL and NTSC
White Balance	Manual/AWB/ATW
Audio/Two Way	Line in/out
Privacy Zones	5 programmable zones
Electrical	
Input Voltage	12 V DC, 24 V AC, PoE IEEE 802.3af, Type 1, Class 0
Power Consumption	4.0 W (max) 12 V DC/24 V AC PD Type 1, Class 0, 12.95 W (max)
Mechanical	
Dimensions, without lens (LxWxH)	125 mm x 82 mm x 52 mm
Weight	0.33 kg
Construction	Housing: Die cast aluminium Finish: Cool gray powder coat
Camera Mount	1/4-20 UNC top and underside mounting rings
Recording and Storage	Up to 32 GB microSDHC card (class 10) and Network Attached Storage (NAS) support (card and NAS not included)
Connectors	Video output (AUX): BNC connector Lens mount: C/CS mount Auto iris lens: 4-pin connector. Auto iris cable must be at least 200 mm long. Power input: 3-pin terminal block Network: RJ45 connector Alarm I/O: 4-pin terminal block Pan tilt positioning: RS485 (D+, D-) Audio In: 3.5 mm stereo phone jack Audio Out: 3.5 mm stereo phone jack

Environmental			
Temperature	Operating: –10°C to 50°C Storage: –20°C to 70°C		
Relative Humidity	10% to 90%, non-condensing		
IP Specifications			
Video Compression	H.264 Baseline/Main/High Profile, Motion JPEG		
Primary Stream Resolution	H.264 Bitrate (Typical) ¹	Frame Rate	Storage/Day (GB)
2592 × 1944 ²	4.0 Mbps	12	42.2
2048 × 1536	4.0 Mbps	15	42.2
1920 × 1080	4.0 Mbps	25/30	42.2
1280 × 1024	4.0 Mbps	25/30	42.2
1280 × 720	2.0 Mbps	25/30	21.1
1024 × 768	2.0 Mbps	25/30	21.1
800 × 600	2.0 Mbps	25/30	21.1
720 × 480	1.0 Mbps	25/30	10.5
640 × 480	1.0 Mbps	25/30	10.5
352 × 240	0.5 Mbps	25/30	5.3
Frame Rate (PAL/NTSC)	1080p and lower: Up to 25/30 fps 3 MP: Up to 15 fps 5 MP: Up to 12 fps		
Video Streaming	Quad streaming: H.264 (x3) and H.264/MJPEG Controllable frame rate and bandwidth Constant or variable bitrate		
Security	Multiple user access levels with password protection		
Video Access from Web Browser	Full control of all camera settings available to administrator		
System Requirements	CPU: Pentium M 2.16 GHz or Intel Core 2 Duo 2.0 GHz RAM: 2 GB or more Network Card: 10Base-T (10 Mbps) minimum or 100Base-TX (100 Mbps) recommended OS: Windows XP, Windows Vista, or Windows 7 Browser: Internet Explorer 6.0 or later (32-bit), Google Chrome, Mozilla Firefox, or Apple Safari		
Installation and Management Maintenance	Honeywell Device Search software identifies the IP address, discovers cameras, supports firmware upgrades		
Supported Protocols ³	IPv4/v6, TCP/IP, UDP, RTP, RTSP, HTTP, HTTPS, ICMP, FTP, SMTP, DHCP, PPPoE, UPnP, IGMP, SNMP, QoS, SSL, DDNS, NTP		
Standards	ONVIF (Profile S)		
Regulatory			
Emissions	FCC part 15B, CE (EN 55022)		
Immunity	CE (EN 50130-4)		
Safety	CE (EN 60950-1) North America UL listed to UL/CSA 60950-1		


¹ Actual bitrate is scene and motion dependent with H.264 stream.

² HCD5S2X cameras only.

³ Some development may be required in specific user cases to support some of these protocols in the field as they mature over time.

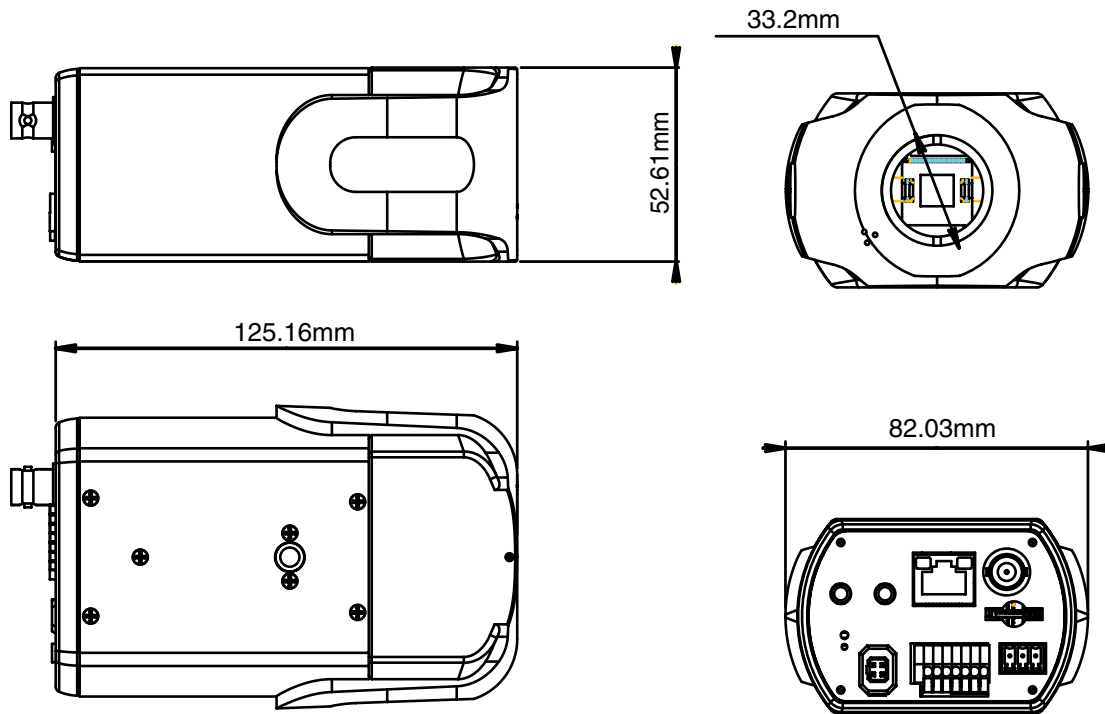
HCD Series S

ORDERING

System Integration	
Open IP Integration	
<p>ONVIF support and open API for software integration. Refer to www.onvif.org for the ONVIF specification and the Honeywell Open Technology Alliance website (http://www.security.honeywell.com/hota) to learn more about our open and integrated solutions.</p>	

Accessories	
Housing and Mounts	
HBC5WT	Wall/ceiling mount bracket (Off White)
HBC5BK	Wall/ceiling mount bracket (Black)
Recommended Lens Options *	
HLM45V13MPD	4.5-13.2 mm high definition megapixel lens

* Only a high definition megapixel lens should be used with the HCD network cameras.



Ordering				
eQIP® Series 3 MP/5 MP True Day/Night Indoor Box IP Cameras				
	Model Number	3 Megapixel	5 Megapixel	True Day/Night
PAL	HCD3S2X	✓		✓
	HCD5S2X		✓	✓

NOTE: Honeywell reserves the right, without notification, to make changes in product design or specifications.



All other company names and products are trade names, trademarks or registered trademarks of their respective companies.

For additional information, please visit

www.honeywell.com/security/uk

Honeywell Security Group

Aston Fields Road
 Whitehouse Industrial Estate
 Runcorn
 Cheshire WA7 3DL
 Tel: 08448 000 235
www.honeywell.com

