

HCW2S2X

equiP® SERIES S 1080p WIDE DYNAMIC TRUE DAY/NIGHT H.264 INDOOR BOX IP CAMERA

Honeywell's HCW2S2X indoor, Wide Dynamic True Day/Night box IP cameras offer high definition 1080p (1920 × 1080) resolution at full frame rate, progressive scan technology, and edge enhancement for outstanding picture clarity and definition. ONVIF (Profile S) compliance ensures hassle-free, flexible system integration.

Choose the Resolution That's Right for Your Application

- 1080p (1920 × 1080) high definition resolution.
- Quad stream compression (H.264-1+H.264-2+H.264-3+H.264-4/MJPEG).
- Configurable resolution and frame rate for each selected H.264 stream.

Excellent Wide Dynamic Range for Difficult Lighting Environments

- Higher quality images and significantly better dynamic range (96 dB) than conventional IP cameras.
- When the light level drops too low for accurate video identification in colour, the True Day/Night camera moves the IR cut filter out of the optical path and then switches to black and white video to capture more detail using the increased sensitivity of the CMOS sensor to IR light.

Maximize Bandwidth Without Losing Image Quality

- Highly efficient H.264 video compression.
- 3DNR (Digital Noise Reduction) and proprietary SPQ (Smart Picture Quality) provide significant storage savings without sacrificing image quality in low light.

Onboard Video Storage

- Up to 32 GB microSDHC (Class 10) support. Card not included.

Privacy Masking

- Conceal up to 5 areas of a scene from viewing and recording.

Time is Money—Installation and Upgrading Made Easy

- Built-in PoE (Power over Ethernet) eliminates separate power supply and associated wiring. 12 V DC or 24 V AC inputs where PoE switching is unavailable.
- Remote configuration and firmware updating through Honeywell Viewer web client or from an NVR/DVR. Password-protected access to the camera's video and network setup.
- Export/import of configuration facilitates quick rollout of multiple cameras.

Market Opportunities

The HCW2S2X cameras are perfect for installations that require excellent picture quality at minimal bandwidth. With at least three times the resolution of standard analogue cameras, yet with similar bandwidth requirements, the HCW2S2X network cameras can be retrofitted on many existing DVR/NVR installations without requiring additional storage.

Features

- Up to 25 fps (30 fps NTSC) progressive scan with WDR mode On; up to 50 fps (60 fps NTSC) progressive scan with WDR mode Off
- True day/night with removable IR cut filter
- Dynamic Range: 96 dB
- Camera tamper detection and video motion detection
- ONVIF support (Profile S)
- Supports both dynamic and static IP addresses and APIPA auto-IP addressing
- Remote firmware updating
- Up to x16 digital zoom
- Date and time stamp embedded in video stream
- Configurable user privileges for simple viewing or administrator control and setup of functions
- Multiple user access levels with password protection
- Input (x1) and output (x1) alarm contacts
- RS485 interface for connection to pan tilt positioning system
- Bidirectional audio communication



(Lens sold separately)



HCW2S2X

FEATURES

Immediately Detect and Respond to Events

The camera can be configured to automatically detect and respond to events such as motion in the scene, alarm inputs, a network failure and/or tampering. Automated responses include:

- Sending a notification through email, FTP, and/or HTTP.
- Uploading still images at the time of event through email and/or FTP.
- Recording a video clip of the event to a configured microSDHC memory card or Network Attached Storage device.
- Enabling a visual or auditory notification (for example, a flashing light, bell or siren).

Honeywell equip® Series S User:admin

Home System Streaming **Camera** Pan / Tilt Logout

Exposure ▲
Auto Mode
Max Gain 36dB ▼
 WDR Multiple Shutter
WDR First ▼
Min Shutter Speed 1/4 ▼
White Balance ▼
Picture Adjustment ▼
Digital Zoom Off ▼
Day/Night Function Auto ▼
IR Light Compensation Off ▼
Noise Reduction ▼
DIS Off ▼
TV System WDR autoiris 30fps ▼

2010/04/10 06:40
2010/04/10 06:40

Languages ▼

Video format H.264-1 H.264-2
Zoom Wide Tele
Focus Near Far
Iris Close Open
MJPEG bitrate : middle compression , middle quality

HCW2S2X

SPECIFICATIONS

Operational	
Video Standard	PAL/NTSC
Scanning System	Progressive scan
Image Sensor	1/2.8" Sony progressive CMOS
Number of Pixels (H x V)	1920 x 1080 (1080p)
Minimum Illumination	Colour: 0.15 lux; 0.3 lux @ 50 IRE, F1.2 (2-shutter WDR) BW: 0.01 lux; 0.02 lux @ 50 IRE, F1.2 (2-shutter WDR)
Video Output (AUX)	1.0 Vp-p @ 75 ohms
S/N Ratio	50 dB or more (AGC off)
Auto Gain Control	Off/On, selectable (10–40 dB)
Wide Dynamic Range	Shutter WDR (96 dB)
Automatic Electronic Shutter	1–1/10,000 s (PAL and NTSC)
Horizontal Angle of View	HLD3V8MPD Lens: 102° wide; 40° tele HLM45V13MPD Lens: 64° wide; 25° tele
White Balance	Auto/ATW/Manual/Indoor/Outdoor
Audio/Two Way	Line in/out
Privacy Masking	5 programmable zones
Electrical	
Input Voltage	12 V DC, 24 V AC, PoE IEEE 802.3af, Type 1, Class 0
Power Consumption	6.3 W (max) 12 V DC/24 V AC PD Type 1, Class 0, 12.95 W (max)
Mechanical	
Dimensions, without lens (LxWxH)	125 mm x 82 mm x 52 mm
Weight	0.33 kg
Construction	Housing: Die cast aluminium Finish: Cool gray powder coat
Camera Mount	1/4-20 UNC top and underside mounting rings
Recording and Storage	Up to 32 GB microSDHC card (class 10) and Network Attached Storage (NAS) support (card and NAS not included)
Connectors	Video output (AUX): BNC connector Lens mount: C/CS mount Auto iris lens: 4-pin connector. Auto iris cable must be at least 200 mm long. Power input: 3-pin terminal block Network: RJ45 connector Alarm I/O: 4-pin terminal block Pan tilt positioning: RS485 (D+, D-) Audio In: 3.5 mm stereo phone jack Audio Out: 3.5 mm stereo phone jack

Environmental			
Temperature	Operating: –10°C to 50°C Storage: –20°C to 70°C		
Relative Humidity	10% to 90%, non-condensing		
IP Specifications			
Video Compression	H.264 Baseline/Main/High Profile, Motion JPEG		
Primary Stream Resolution	H.264 Bitrate (Typical)*	Frame Rate	Storage/Day (GB)
1920 x 1080	4.0 Mbps	25/30	42.2
1280 x 1024	4.0 Mbps	25/30	42.2
1280 x 720	2.0 Mbps	25/30	21.1
1024 x 768	2.0 Mbps	25/30	21.1
800 x 600	2.0 Mbps	25/30	21.1
720 x 480	1.0 Mbps	25/30	10.5
640 x 480	1.0 Mbps	25/30	10.5
352 x 240	0.5 Mbps	25/30	5.3
Frame Rate (PAL/NTSC)	Quad/triple streams: Up to 25/30 fps video Dual/single streams: Up to 50/60 fps video**		
Video Streaming	Quad streaming: H.264 (x3) and H.264/MJPEG Controllable frame rate and bandwidth Constant or variable bitrate		
Security	Multiple user access levels with password protection		
Video Access from Web Browser	Full control of all camera settings available to administrator		
System Requirements	CPU: Pentium M 2.16 GHz or Intel Core 2 Duo 2.0 GHz RAM: 2 GB or more Network Card: 10Base-T (10 Mbps) minimum or 100Base-TX (100 Mbps) recommended OS: Windows XP, Windows Vista, or Windows 7 Browser: Internet Explorer 6.0 or later (32-bit), Google Chrome, Mozilla Firefox, or Apple Safari		
Installation and Management Maintenance	Honeywell Device Search software identifies the IP address, discovers cameras, supports firmware upgrades		
Supported Protocols***	IPv4/v6, TCP/IP, UDP, RTP, RTSP, HTTP, HTTPS, ICMP, FTP, SMTP, DHCP, PPPoE, UPnP, IGMP, SNMP, QoS, SSL, DDNS, NTP		
Standards	ONVIF (Profile S)		
Regulatory			
Emissions	FCC part 15B, CE (EN 55022)		
Immunity	CE (EN 50130-4)		
Safety	CE (EN 60950-1) North America UL listed to UL/CSA 60950-1		


* Actual bitrate is scene and motion dependent with H.264 stream.

** WDR mode must be turned off for 60/50 fps video to be selectable.

*** Some development may be required in specific user cases to support some of these protocols in the field as they mature over time.

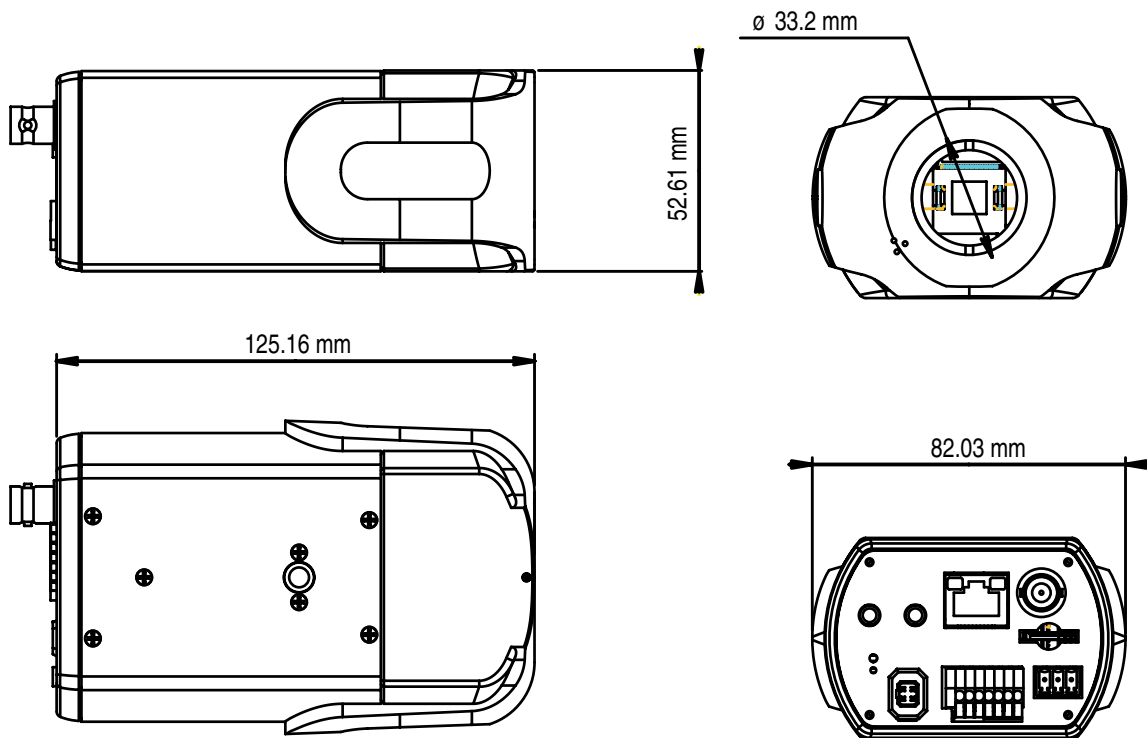
HCW2S2X

ORDERING

System Integration	
Open IP Integration	
ONVIF support and open API for software integration. Refer to www.onvif.org for the ONVIF specification and the Honeywell Open Technology Alliance website (http://www.security.honeywell.com/hota) to learn more about our open and integrated solutions.	

Accessories	
Housing and Mounts	
HBC5WT	Wall/ceiling mount bracket (Off White)
HBC5BK	Wall/ceiling mount bracket (Black)
Recommended Lens Options *	
HLD3V8MPD	3.0-8.0 mm high definition megapixel auto iris lens
HLM45V13MPD	4.5-13.2 mm high definition megapixel lens

* Only a high definition megapixel lens should be used with the HCW2S2X network cameras.



Ordering	
HCW2S2X	Network, Wide Dynamic, TDN, Indoor Box Camera, 1/2.8" Progressive Scan, CMOS, 1080p Resolution, 12 V DC/24 V AC/PoE IEEE 802.3af Class 0, H.264, PAL

NOTE: Honeywell reserves the right, without notification, to make changes in product design or specifications.



All other company names and products are trade names, trademarks or registered trademarks of their respective companies.

For additional information, please visit

www.honeywell.com/security/uk

Honeywell Security Group

Aston Fields Road
 Whitehouse Industrial Estate
 Runcorn
 Cheshire WA7 3DL
 Tel: 08448 000 235
www.honeywell.com

Honeywell