

## HDZ SERIES – 1080P HD IP PTZ DOMES

### TRUE DAY/NIGHT 22x ZOOM INDOOR/OUTDOOR NETWORK CAMERAS

Honeywell's latest addition to the HDZ Series of IP-based products, the high definition, True Day/Night HDZ PTZ cameras provide extremely crisp video up to 2 million effective pixels and up to 22x optical zoom for continuous surveillance in both outdoor and indoor applications.

HDZ provides 1080p (1920 x 1080) resolution at full frame rate, a 360° continuous rotation function and a zoom lens which combine to give you the flexibility to clearly view a target area with desired width and depth. The 1/2.8" progressive scan CMOS sensor offers the latest in digital video surveillance technology with accurate colour rendition through a wide variety of lighting conditions. HDZ also supports the ONVIF Profile S specification for interoperability between network video products.

Installing the indoor or outdoor model is fast and simple. HDZ supports Power over Ethernet (PoE+/PoE++) or 24V AC to power the unit. In the event of a network failure, HDZ has the option to record captured video to a Micro SD (card not included), providing an additional level of security to the user. HDZ is also equipped with True Wide Dynamic Range (True WDR), which is ideal for environments with high contrast and changing light conditions.

The HDZ Series outdoor camera includes an integrated heater/blower and is housed in an IK10 Impact Resistant/IP66 rated tamper-resistant dome to prevent the camera from impact and damage by ingress of dust, heavy rain and extended operating temperatures.

HDZ supports quad video streams and features multiple compression formats (H.264/MJPEG) with rates up to 25 frames per second at 1080p (30 fps for NTSC systems) or 50 fps at 720p (60 fps for NTSC systems). The digital compression parameters for the four video streams are independently configurable.

#### Market Opportunities

The combination of the latest digital technology and advanced video processing makes HDZ ideally suited for large-scale surveillance in cities, roads, airports, government facilities, schools and campuses, casinos, industrial environments and anywhere detailed surveillance is essential.

#### Features

- 22x optical zoom/12x Digital Zoom
- On board camera storage – Micro SD card support (up to 64 GB; only applied on SanDisk SDXC 64 GB)
- Up to 25 fps at 1080p (30 fps for NTSC); Up to 50 fps at 720p (60 fps NTSC) progressive scan
- True Wide Dynamic Range
- ONVIF Profile S compatible
- Supports both dynamic and static IP addresses
- Electronic image stabiliser (EIS)
- P-Iris mode
- Wide range of mounting options available (1.5" NPT)
- High preset speed up to 400°/sec
- Multiple selectable compression formats (H.264/MJPEG)
- Choice of 24 V AC or PoE power inputs
  - Indoor: 24 V AC or PoE+ (25.5 W) power inputs
  - Outdoor: 24 V AC or PoE++ (60 W) power inputs
- IK10 impact/vandal resistant acrylic – both indoor and outdoor
- Wide operating temperature range from -45°C to 55°C with integrated heater/blower



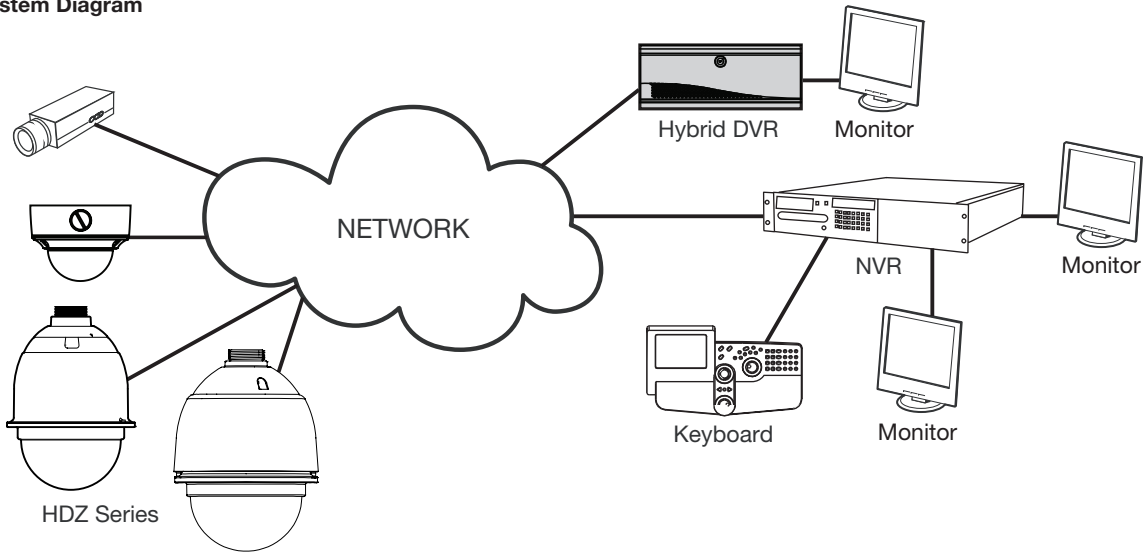
#### Key Highlights

- When failure is not an option, be assured that you have continuous video footage, even in the unlikely event of a network crash using the HDZ's onboard camera storage option
- Stay focused – operators can more easily see continuous detail of potential events using the intuitive multi-level autofocus menu options on the HDZ22
- Ensure continuous monitoring in areas prone to vandalism or attack using our robust vandal resistant IK10 housing
- Save time and costs on every installation by eliminating the need for electrician intervention using high power POE++
- Ideal for areas where vibration and adverse weather could interfere with surveillance operations, built-in Electronic Image Stabilizer (EIS) on indoor and outdoor HDZ cameras, provides an extremely stable platform.
- With a wide operating temperature range, the HDZ22 cameras provide expanded business opportunities especially in colder or hotter climates

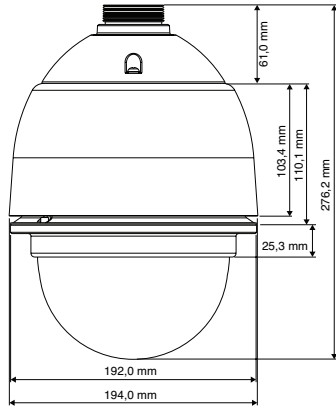
## HDZ SERIES – 1080P HD IP PTZ DOMES

### SYSTEM DIAGRAM AND DIMENSIONS

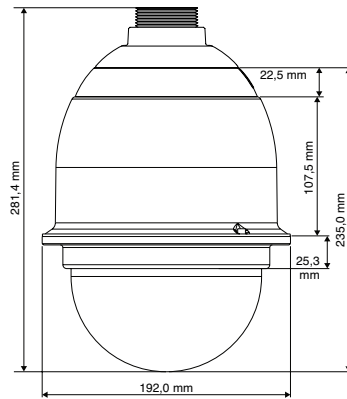
#### System Diagram



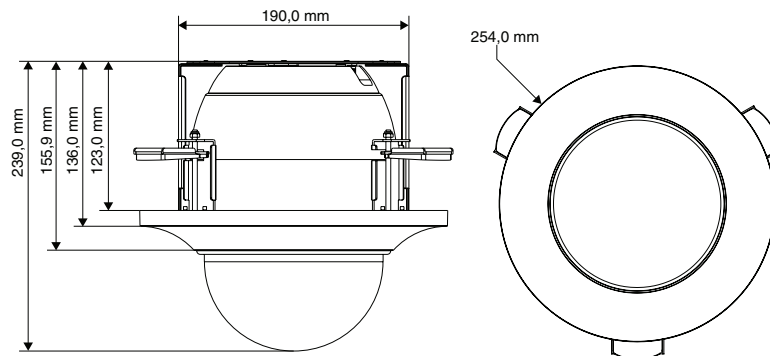
#### Dimensions



Outdoor Pendant



Indoor Pendant



Using In-Ceiling Bracket

## HDZ SERIES – 1080P HD IP PTZ DOMES

### SPECIFICATIONS

Camera		HDZ Indoor	HDZ Outdoor
Scanning System	NTSC/PAL		
Image Sensor	1/2.8" Sony Progressive CMOS		
Optical Zoom	22x		
Digital Zoom	12x		
Number of Pixels (H x V)	1920 x 1080 (1080p)		
Shutter Wide Dynamic Range	On/Off (> 96 dB)		
S/N Ratio	> 50 dB (AGC Off)		
Minimum Illumination	0.5 lux (colour)/0.1 lux (B/W) @F1.6, 50IRE		
Focal Length	4.3 to 94.6 mm		
Focus Mode	Manual/Auto (Continuous/PTZ Trigger/ Zoom Trigger Focus)		
White Balance	Auto/Indoor/Outdoor/ATW/Manual		
Iris Control	Auto/Manual/P-Iris		
Electronic Shutter	1/1 to 1/10k sec.		
AGC	Auto/Manual (Max Gain limit settings for Full Auto, Shutter Priority, and Iris Priority modes)		
Back Light Compensation	On/Off		
Operational			
Multi-Language GUI	English, French, German, Italian, Russian, Spanish, Portuguese, Dutch, Czech, Polish, Japanese, Chinese		
Pan Travel	360° endless		
Tilt Travel	-10° to 190°		
Manual Pan Speed	0.5° to 200°/s		
Manual Tilt Speed	0.5° to 90°/s		
Presets	256		
Preset Accuracy	0.225°		
Preset Speed	Up to 400°/s		
Preset Tours	8		
Auto Pan	4		
Mimic Tours	8		
Privacy Masks	16		
Proportional Pan and Tilt	On/Off (Pan and tilt speed proportional to zoom ratio)		
Auto Resume After Power Failure	Yes		
Home Function	Preset, Preset tour, Auto pan, Mimic tour		
Auto Flip*	Mechanical/Digital/Off		
Digital Slow Shutter	On/Off		
Motion Detection	On/Off		
Sector Function	On/Off		
Electronic Image Stabilisation	On/Off		
Shutter WDR (>96dB)	On/Off		
P-Iris	F9.6-F16		
Day/Night: IR Cut Filter	Auto/On/Off		
Image Rotation	Flip/Mirror/Inverse/Portrait		
Noise Reduction	2D	On/Off	
	3D		
Alarm	Inputs	x 4	
	Outputs	x 2	
Alarm Reaction	Preset, Preset tour, Auto pan, Mimic tour		
Event Notification	HTTP, FTP, SMTP		
Electrical			
Power Source	24 VAC ± 10% and PoE+ (IEEE 802.3at-2009)		24 VAC ± 10% and PoE++
Power Consumption	25.5 W		59 W (with heater)
Mechanical			
Dimensions	ø192 x 281.4mm		ø194 x 276.2mm (with sunshield)
Weight	2.2 kg with in-ceiling bracket : 3.1kg		2.6 kg (with sunshield)
Environmental			
Operating Temperature	0°C to 50°C		-45°C to 55°C**
Relative Humidity	0% to 90%, non-condensing		
Waterproof Standard	IP66 standard (HDZ Outdoor)		
Impact Rating	IK10 (HDZ Outdoor)		
IP Specifications			
Video Compression	H.264 (High Profile, Main Profile, Baseline Profile) /MJPEG.		
Video Streaming	Quad stream H.264 (x3) and H.264/MJPEG. Controllable frame rate and bandwidth Constant or variable bit rate		
Video Resolution	Up to 1920 x 1080p		
Frame Rates	720p: Up to 50/60 fps 1080p: Up to 25/30 fps		
Audio Compression	G.711/G.726 ADPCM		
Audio Stream	Full-duplex, Simplex		
Interface	RJ-45, 10/100 Mbps Ethernet		
Supported Protocols***	IPv4/v6, TCP/IP, UDP, RTP, RTSP, HTTP, HTTPS, ICMP, FTP, SMTP, DHCP, PPPoE, UPnP, IGMP, SNMP, IEEE 802.1x, QoS, ONVIF, SSL, DNS, DDNS		
Simultaneous Users	3 at 1080p/5 at D1 (PAL: 720x576, NTSC: 720x480)		
Security	User account and password protection HTTPS, IP Filter, IEEE 802.1x		
Micro SD	Support for Micro SD up to 64 GB (only applied on SanDisk SDXC 64 GB), card not included		
Micro SD Function	Event trigger recording Continuous and scheduled recording Automatic recording when network fails		
Supported Web Browsers	Internet Explorer (8.0+)		
Supported OS	Windows 7 32-bit/64-bit		
Communication	ONVIF Support		
Regulatory			
Emissions	CE EN55022, FCC Part 15B		
Immunity	CE EN50130-4		
Safety	EU: EN60950-1, EN60950-22		
RoHS	EN50581		

Notes: \*May be some image loss at Digital Image flipping point.

\*\* Protecting the dome from direct sunlight in high temperature environments is advised.

\*\*\* Some development may be required in specific user cases to support some of these protocols in the field as naturally the protocols will mature over time.

# HDZ SERIES – 1080P HD IP PTZ DOMES

## ACCESSORIES, SYSTEM COMPATIBILITY AND ORDERING

Accessories	
HDZVRSMKAC	Smoked Polycarbonate Vandal Proof Acrylic for HDZ Series
HDZIK10AC (default acrylic)	Clear IK10 Vandal Proof Acrylic for HDZ Series
HDZINBKT	In-Ceiling Bracket for HDZ Series
517082-7130	In-Ceiling PTZ Support Plate (for use with HDZINBKT In-Ceiling Mount)
HDXWM2	Indoor and Outdoor Wall Mount
HDXSM1	Half Swan Neck Pole Mount
HDPRM2	Parapet and Roof Mount
HDCM1	Ceiling mount for Indoor Pendant (Not for outdoor use)
HDXPMA2	Pole Mount Adapter for HDXWM2
HDXCMA1	Corner Mount Adapter for HDXWM2

System Compatibility	
(Note: For latest system compatibility information, visit <a href="http://www.honeywell.com/security/uk">www.honeywell.com/security/uk</a> )	
Open IP Integration	
ONVIF support for interoperability between Honeywell and other manufacturer's IP-enabled security devices (version 2.4).	
Honeywell Device Integration	
Recorders	
Fusion Hybrid DVR	Full Featured Hybrid Digital Video Recorder (version 3.6 and greater)
Fusion NVR	8, 16 and 32 Channel Network Video Recorders
MAXPRO® NVR Family Hybrid XE, SE, PE	Entry to Enterprise Level Network Video Recorders (version 3.1 and greater)
HUS	Honeywell Universal Surveillance (HUS) Integration Platform

Ordering	
HDZ22HDX	Network TDN Indoor Pendant PTZ Dome, 1080p Resolution, 4.3 – 94.6 mm Lens, 22x Zoom, H.264, PAL, micro SD Compatible (Supports up to 64 GB cards)
HDZ22HDEX	Network TDN Outdoor Pendant PTZ Dome, 1080p Resolution, 4.3 – 94.6 mm Lens, 22x Zoom, H.264, PAL, micro SD Compatible (Supports up to 64 GB cards)
HDZ22HD	Network TDN Indoor Pendant PTZ Dome, 1080p Resolution, 4.3 – 94.6 mm Lens, 22x Zoom, H.264, NTSC, micro SD Compatible (Supports up to 64 GB cards)
HDZ22HDE	Network TDN Outdoor Pendant PTZ Dome, 1080p Resolution, 4.3 – 94.6 mm Lens, 22x Zoom, H.264, NTSC, micro SD Compatible (Supports up to 64 GB cards)

Note: 'ONVIF' and  are trademarks of ONVIF Inc.



For additional information, please visit

[www.honeywell.com/sites/me/](http://www.honeywell.com/sites/me/)

[Honeywellsecurity.marketing@honeywell.com](mailto:Honeywellsecurity.marketing@honeywell.com)

### Honeywell Security Group

Emaar Business Park, Sheikh Zayed Road

Building No. 2, 3rd Floor, Office No. 301

PO Box 232362

Dubai

United Arab Emirates

Tel: +971-4-454-1719 / +971-4-454-1701

Fax: +971 4 450 5900

[www.honeywell.com](http://www.honeywell.com)



HVS-HDZ22-02-ME(0815)DS-E  
August 2015  
© 2015 Honeywell International Inc.