

MAXPRO® NVR XE

8/16-Channel Entry Level NVR



| OPERATIONAL | |
|--|--|
| MAXPRO NVR SOFTWARE - VERSION 6.7 OR ABOVE | |
| DATABASE | Microsoft® SQL Server® 2019 Express |
| OPERATING SYSTEM | Windows 10 IoT Enterprise for Embedded Systems |
| IMAGE COMPRESSIONS SUPPORTED | MJPEG, MPEG-4, H.264, H.265 |
| SUPPORTED HONEYWELL IP CAMERAS AND ENCODERS | Supports Honeywell's Performance IP, eQualP® Series, 30 Series IP cameras. Refer to our website |
| SUPPORTED THIRD PARTY IP CAMERAS AND ENCODERS | Refer to the MAXPRO® NVR Compatibility on our website for a comprehensive list of compatible products to which this device is integrated. |
| AUDIO SUPPORT | 1-way audio for specific IP camera models. |
| MAXIMUM NUMBER OF DESKTOP CLIENT CONNECTIONS | Desktop Client - 18 remote per unit from 9 remote workstations + 1 local on NVR server |
| SALVO LAYOUTS | Desktop Client - Full, 2x2, 1x5, 3x3, 2x8, 1x12, 4x4. Web Client - 2x2, 1x1, 1x2, 1x3. Mobile app (Phone) - 2x2, 2x4, 1x2, 1x1. Mobile app (Tablet) - 3x3, 2x2, 1x1. |
| PICTURE CONTROLS PER CAMERA | Sharpness, blur, brightness, contrast, hue, saturation, maintain aspect ratio, stretched, original size and picture mirror |
| OSD | Concealed text option |
| PLAYBACK CONTROLS PER CAMERA - DESKTOP CLIENT | FWD/REV Play x (1, 2, 4, 8, 16) Slow FWD/REV Play x (1/2, 1/4, 1/8) |
| SEARCH TYPES | Time/date timeline, time jump FWD/REV, bookmarks, calendar, preview, film strip, event search and SMART Motion Search |
| RECORDING SCHEDULE | Continuous and event based with H/M/D and holiday and exception days |
| RECORDING METHODS PER CAMERA | Continuous, event based and user activated |
| LIVE SETTINGS PER CAMERA | Compression format, resolution and frame rate |
| RECORD SETTINGS / CAMERA | Same as live or reduced frame rate |
| CLIP FORMAT | Honeywell MPVC playable with standalone MAXPRO Clip Player for faster and secure exports. WMV with digital certificate for authentication playable with Windows media player. ASF for faster exporting of longer than an hour backup clips in native compression format. |
| VIDEO CLIP AUTHENTICATION | Digital signature, verification tool provided |
| MOTION DETECTION LOCATION | Camera based for supported models or Server based (SMART VMD) for all models (except 360 fisheye /panomorph views) |
| EVENT RECORDING | Pre and post duration setting |
| OPERATOR REPORTING | Per user, configurator, session and viewer |
| EVENT REPORT | Per camera or recorder events |
| OPERATORS | 1024 |

| | |
|--|--|
| MAX VIDEO STREAMS SUPPORT | Web Client: Live - 64 streams, Playback - 32 streams. Note: Live streams consumed are per camera being viewed live and duplicate live views of the same camera in multiple or same web client instance are allowed without consuming additional streams. Playback streams consumed are per playback stream being viewed and each playback stream being viewed consumes 1 additional stream. Desktop Client: Live - 256 streams, Playback/Video retrieval sessions - 32, Sync playback - 9 streams. 256 live streams limit excludes 1 stream used per camera if SMART VMD is enabled. Maximum live streams per camera is 15 with SMART VMD enabled. Mobile App: 16 streams of 1080p HD @ 5 fps each. Note: During archival operations, maximum no of playback streams recommended from Desktop Client and Web Client is 16 streams. |
| SERVER BASED VMD (SMART VMD) PERFORMANCE - CHANNELS SUPPORTED | All 8 or 16 channels supported at 480 fps @ 4CIF/VGA or 480 fps @ 720p HD or 480 fps @ 1080p HD or total 32 Megapixel. |
| ARCHIVAL PERFORMANCE | 16 channels @ 4 Mbps bitrate each / 64 Mbps total archival throughput capacity. Outgoing archival storage throughput of 200 Mbps. |
| MULTI-STREAM PERFORMANCE | Support for maximum 128 streams. Support for configuring 1 preferred stream for continuous recording and 1 preferred stream for live video / motion based recording per camera. |

| OPERATIONAL | |
|---|--|
| MAXPRO NVR XE HARDWARE | |
| PROCESSOR | Intel® Core™ i5-7500, 3.4 GHz, Intel HD Graphics 630 |
| MEMORY | 8 GB DDR4 |
| POWER SUPPLY | Single 300 W |
| OS PARTITION | 250 GB M.2 SSD OS drive |
| STORAGE CAPACITIES | 4 TB, 8 TB, 12 TB, 16 TB, 20 TB |
| OPTICAL | 22x DVD-RW |
| NETWORK | Two 1 GB Ethernet included |
| MOUSE AND KEYBOARD | USB |
| REAR PANEL CONNECTIONS | |
| USB | 4 Front, 6 Rear (including 4 USB 3.0) |
| NETWORK | 2x RJ45 |
| MONITOR OUTPUT | Dual monitor support -2 HDMI, 1 DVI-I, 1 DVI-D |
| ELECTRICAL | |
| INPUT VOLTAGE | 115-230 V AC, 60/50 Hz, max 300W |
| POWER DISSIPATION | Average BTU rating = 318 BTU/HR |
| MECHANICAL | |
| DIMENSIONS (W X H X D) | 13" x 3.8" x 14.4" (330 mm x 96 mm x 365 mm) |
| WEIGHT | Unit: 25 lbs (11.36 kg) |
| ENVIRONMENTAL | |
| TEMPERATURE | Operating: 5°C to 40°C (40°F to 104°F) Storage: -10°C to 65°C (14°F to 150°F) |
| RELATIVE HUMIDITY | 0% to 90% (non-condensing) |
| REGULATORY | |
| EMISSIONS | FCC Part 15, Subpart B; EN55022:2010 |
| IMMUNITY | EN50130-4:2011 |
| SAFETY | ANSI/UL 60950-1; CAN/CSA C22.2 60950-1; EN60950-1:2006+A11:2009+A12:2011+A1:2010 |
| WARRANTY | |
| WARRANTY AND ADVANCED REPLACEMENTS | Refer to https://www.security.honeywell.com/resources/warranties |

RECORDING AND MONITORING PERFORMANCE

480 fps @ 4CIF/VGA or 480 fps @ 720p HD or 480 fps @ 1080p (4 Mbps bitrate) HD. 1-way audio for up to 8 or 16 IP channels. Network bandwidth/throughput supported per NVR with Incoming: 80 Mbps, Outgoing: 240 Mbps providing a Total: 320 Mbps. Rendering performance using GPU of up to 4 1080p HD @ 30 fps / 120 fps on local client. Note: Oncam Grandeye 360 Cameras are not supported with GPU rendering and use CPU rendering by default.

MAXPRO® NVR XE (Xpress Edition)

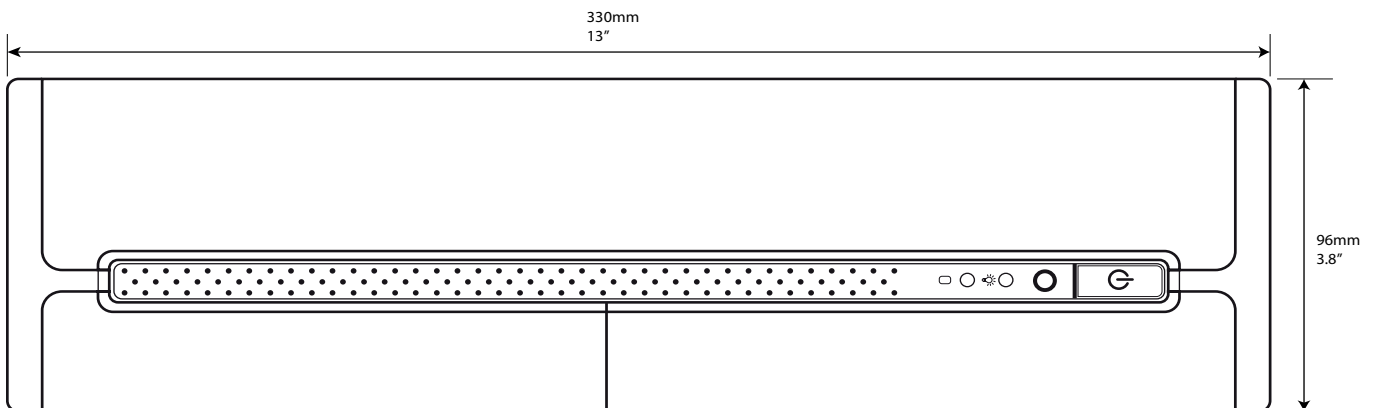
8/16-Channel Entry Level Network Video Recorder (NVR)

HARDWARE FEATURES

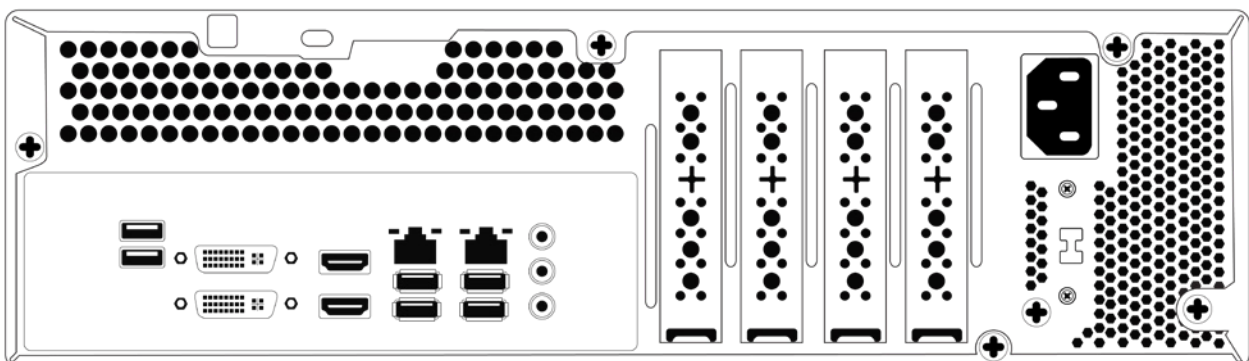
- Each unit records and monitors up to 8 or 16 cameras at 480 fps @ 4CIF/VGA or 480 fps @ 720p HD or 480 fps @ 1080p (4 Mbps bitrate) HD. Network bandwidth/throughput supported per NVR with Incoming: 80 Mbps, Outgoing: 240 Mbps; Total: 320 Mbps.
- Archival support of 16 channels @ 4 Mbps bitrate each / 64 Mbps total archival throughput capacity per MAXPRO NVR XE, with outgoing archival storage throughput of 200 Mbps
- Multi-stream support with maximum 128 streams per MAXPRO NVR XE. Support for configuring 1 preferred stream for continuous recording and 1 preferred stream for live video / motion based recording per camera
- Supports One-Way Audio (for specific IP cameras) with live, playback and clip export on desktop clients for up to 8 or 16 IP channels
- Includes HDMI, DVI-D and DVI-I ports for dual local monitor support providing access to monitoring and configuration interface
- Supports displaying 16 cameras at one time on the NVR local monitor and rendering performance using GPU of up to 4 1080p HD Cameras @ 30 fps/ 120 fps on local client.
- Internal storage capacity of 4 TB/8 TB/12 TB/16 TB/20 TB
- DVD R/W drive for burning evidence clips. Includes dual 1 GB Network ports optimized to separate record and viewing data to ensure 100% recording and smooth playback even with multiple client connections.
- Small desktop type footprint suitable for small spaces

SPECIFICATIONS

FRONT VIEW



REAR VIEW



MAXPRO® NVR XE (Xpress Edition)

8/16-Channel Entry Level Network Video Recorder (NVR)

ORDERING

| MAXPRO NVR XE | | MAXPRO NVR XE | |
|---------------|--|---------------|---|
| HNMXE08C02T | MAXPRO NVR XE, Rev C, 8 Channel, 2 TB | HNMXE16C02T | MAXPRO NVR XE, Rev C, 16 Channel, 2 TB |
| HNMXE08C04T | MAXPRO NVR XE, Rev C, 8 Channel, 4 TB | HNMXE16C04T | MAXPRO NVR XE, Rev C, 16 Channel, 4 TB |
| HNMXE08C08T | MAXPRO NVR XE, Rev C, 8 Channel, 8 TB | HNMXE16C08T | MAXPRO NVR XE, Rev C, 16 Channel, 8 TB |
| HNMXE08C12T | MAXPRO NVR XE, Rev C, 8 Channel, 12 TB | HNMXE16C12T | MAXPRO NVR XE, Rev C, 16 Channel, 12 TB |
| HNMXE08C16T | MAXPRO NVR XE, Rev C, 8 Channel, 16 TB | HNMXE16C16T | MAXPRO NVR XE, Rev C, 16 Channel, 16 TB |
| HNMXE08C20T | MAXPRO NVR XE, Rev C, 8 Channel, 20 TB | HNMXE16C20T | MAXPRO NVR XE, Rev C 16 Channel, 20 TB |

MAXPRO NVR XE - CHANNEL UPGRADE LICENSE

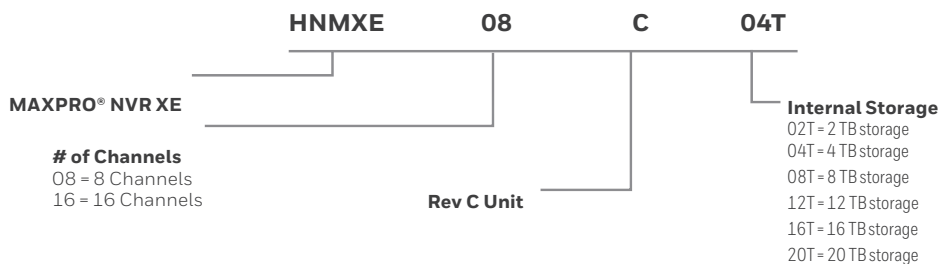
HNM816NLIC | NVR XE 8 to 16 Ch upgrade Software License

Refer to the storage calculator on www.security.honeywell.com to help determine what size unit to order.

SOFTWARE MAINTENANCE & UPGRADES AGREEMENTS FOR MAXPRO NVR

SSAMPNVRCH | Annual Software Support Agreement – MAXPRO NVR System with VMS support included, Per Channel

MAXPRO NVR XE – PART NUMBER LOOKUP



For more information

www.security.honeywell.com/uk
www.security.honeywell.com/me

Honeywell Commercial Security

Emaar Business Park, Sheikh Zayed Road
Building No. 2, 2nd floor, 201
Post Office Box 232362
Dubai, United Arab Emirates
Tel: +971 4 450 5800

Honeywell Commercial Security

140 Waterside Road
Hamilton Industrial Park
Leicester
LE5 1TN
United Kingdom
Tel: +44 (0) 1928 378005
www.honeywell.com

ONVIF and the ONVIF logo are trademarks of ONVIF Inc. Honeywell reserves the right, without notification, to make changes in product design or specifications.

HSV-MPX-06-UK(0321)DS-Z
© 2021 Honeywell International Inc.

Honeywell