

## H4S1P1X

### PERFORMANCE SERIES 720P VFAI LENS DAY/NIGHT H.264 RUGGED INDOOR/OUTDOOR FIXED MINIDOME IP CAMERA

Honeywell's latest addition to the Performance Series of IP-based products, the H4S1P1X is a 720p resolution, Day/Night rugged indoor/outdoor fixed minidome network camera engineered to provide extremely crisp images at minimal bandwidth. The H4S1P1X provides 720p resolution at full frame rate. Progressive scan technology and 2D edge enhancement provide outstanding clarity and definition. Digital Noise Reduction results in significant storage savings without sacrificing image quality in low light. The 1/4" progressive scan CMOS sensor offers the latest in digital video surveillance technology with accurate colour rendition under a wide variety of lighting conditions. The H4S1P1X also supports the ONVIF specification for interoperability between network video products.

The H4S1P1X integrates a camera and lens in an ultra compact, single piece, vandal-resistant unit for fast and easy installation in any application. The camera is designed to be surface mounted. Wall and pendant mount kits are also available.

A 3-D axis gimbal capable of 360° of pan, 180° of tilt and 360° of horizontal rotation simplifies mechanical camera adjustment. The Vari-focal Auto Iris lens allows the field of view to be adjusted to suit the scene requirements.

A powerful and intuitive web client allows fine tuning of the camera and the auto iris levels.

The H4S1P1X supports dual video streams and multiple compression formats with rates up to 25 frames per second (30 fps for NTSC systems). The compression parameters for the two video streams are independently configurable. The primary stream is dedicated to H.264. The secondary stream can be configured for H.264 or MJPEG. The H4S1P1X features analogue video out for aiming and focusing during setup.

With built-in low current Power over Ethernet (IEEE 802.3af), power is supplied to the camera using standard network cabling, eliminating the need for a separate power supply and associated wiring. In situations where PoE support does not exist, the unit can also be powered directly from 24V AC.

#### Market Opportunities

The H4S1P1X is perfect for installations where excellent picture clarity at minimal bandwidth is required. At three times the resolution of standard analogue cameras, yet with similar bandwidth requirements, the H4S1P1X can be retrofitted on many existing DVR/NVR installations without requiring additional storage. Its discreet, vandal-resistant, outdoor design is impact resistant and offers maximum protection against dust, dirt, and water. This provides optimum performance for both indoor and outdoor applications.

#### Key Benefits

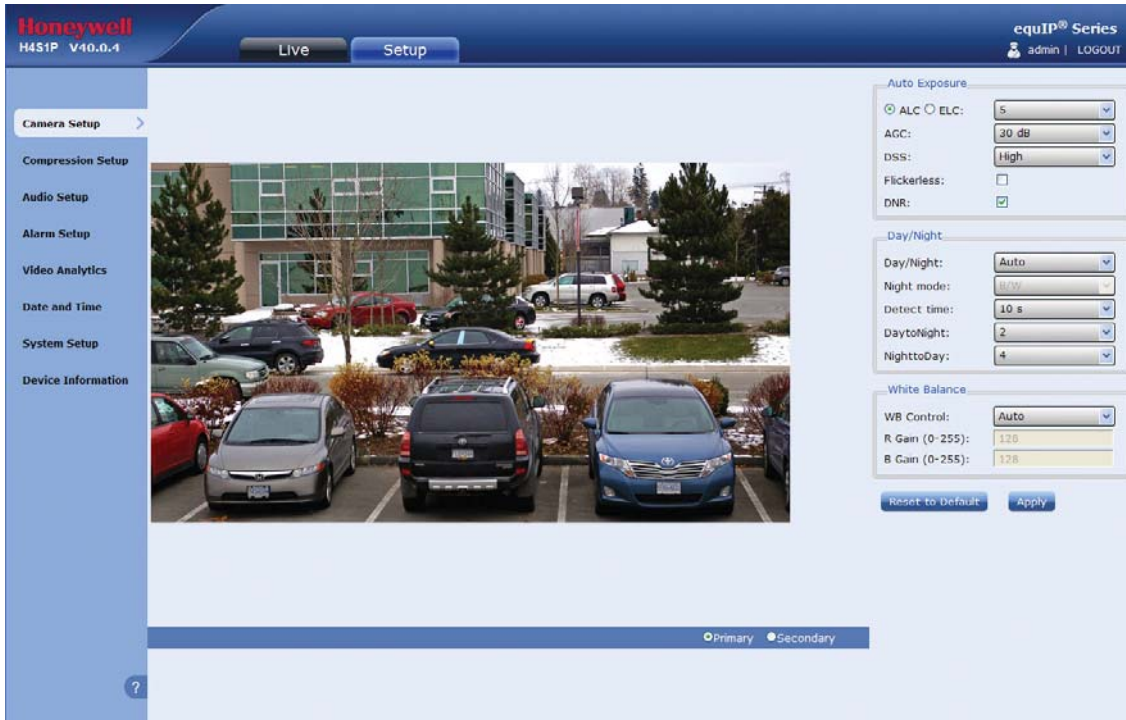
- Outstanding image quality, 720p (1280 x 720) resolution
- 25 fps (30 fps NTSC) progressive scan
- Day/Night, 3.3-12 mm VFAI lens
- Camera tamper detection
- NTP time synchronisation support
- Video motion detection
- ONVIF support
- Dual video streams, independently configurable, H.264 and/or H.264/MJPEG
- Remote firmware updates
- Supports both dynamic and static IP address assignment
- Date/time stamp embedded into video stream
- Multiple browser support
- Single model for surface mount applications
- Includes advanced IP locator software to make system setup easy
- Web server for remote setup of camera video and network parameters
- Choice of 24V AC or PoE IEEE 802.3af power inputs
- Rugged polycarbonate dome
- Wall and pendant mount kits available



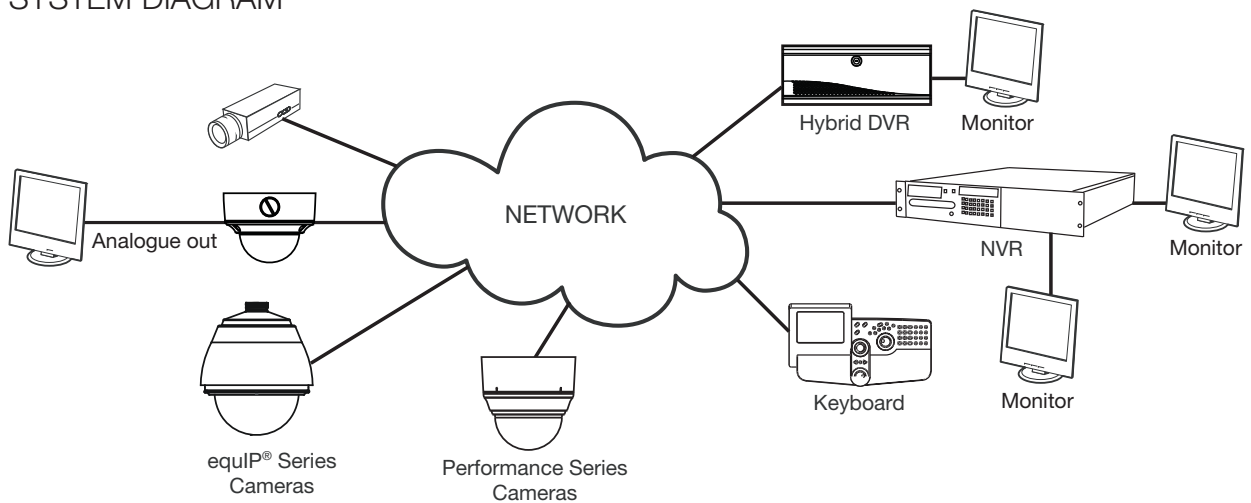
# H4S1P1X

## SPECIFICATIONS

Like all cameras in the Performance Series, the H4S1P1X network camera uses Honeywell technology for camera video motion detection, tamper detection, remote firmware updating and for secure storage of all camera settings. Video motion detection recognises object motion within the field of view; then a simple on-screen notification alerts the user. Camera tamper detection notifies the user when a camera's field of view is altered, blinded, or blurred. This ensures the video's integrity and alerts the customer to either a live event or a system problem that is causing disruption to the video stream. Honeywell's technology also allows users to remotely upload firmware to the camera. Setup is quick and easy and can be customised through a web client or from an NVR or DVR. The built-in web server provides password-protected access to the camera's video and network setup.



## SYSTEM DIAGRAM



# H4S1P1X

## SPECIFICATIONS

Operational	
Video Standard	PAL/NTSC
Scanning System	Progressive scan
Image Sensor	1/4" CMOS
Number of Pixels (H x V)	1280 x 720
Minimum Illumination	0.19 lux @ 50 IRE, F1.4, 0.08 lux @ 30 IRE, F1.4
Automatic Lens Control	DC Iris Level 1-25
Video Output (Aux)	1.0 Vp-p @ 75 ohms
S/N Ratio	50 dB or more (AGC off)
Auto Gain Control	Off/On, selectable (10-40 dB)
Automatic Electronic Shutter	1/50-1/24,500 sec (PAL) 1/60-1/24,500 sec (NTSC)
Lens Type	3.3-12 mm Vari-focal Auto Iris, F1.4
White Balance	AWC, AWC Push, Manual
Electrical	
Input Voltage	24V AC, PoE IEEE 802.3af
Input Range	17-28V AC
Surge Suppression	1.5 kW transient
Power Consumption	3.5 W (max) 24V AC PoE: PD Type 1 Class 1
Mechanical	
Dimensions (W x H)	154.9 mm x 117.1 mm
Weight	1.3 kg camera only
Construction	Housing: Die cast Aluminium Finish: Cool Grey Powder Coat Dome: Polycarbonate
Connector	Video Output (AUX): 2-pin Molex connector Power Input: Removable screw block Network: RJ45 connector

Environmental			
Temperature	Operating: -20°C to 50°C Storage: -40°C to 70°C		
Relative Humidity	0% to 85%, non-condensing		
Rating	IP66		
IP Specifications			
Video Compression	Dual stream H.264 and MJPEG		
Primary Stream Resolution	H.264 Bitrate (Typical)*	Frame Rate	Storage/Day (GB)
1280 x 720	1.8 Mbps	25/30	18.98
800 x 450	1.2 Mbps	25/30	12.65
640 x 360	0.6 Mbps	25/30	6.33
320 x 180	0.21 Mbps	25/30	0.89
Frame Rate PAL/NTSC	Up to 25/30 fps video in all resolutions		
Video Streaming	Dual streaming: H.264 and MJPEG Controllable frame rate and bandwidth Constant or variable bit rate		
Security	Multiple user access levels with password protection		
Video Access from Web Browser	Full control of all camera settings available to administrator		
Minimum Web Browsing Requirements	Pentium IV CPU 3.1 GHz or faster, 1 GB RAM (32-bit) or 2 GB RAM (64-bit), Windows® XP SP3, Windows 2003 Server R2 (32-bit), Windows 7 (32-/64-bit), Windows 2008 Server (32-/64-bit), Windows Vista SP1, Windows 2008 R2 (64-bit), Internet Explorer 8 or 9 Mozilla Firefox® and Google Chrome		
Installation and Management Maintenance	Honeywell IP Utility software identifies the IP address, checks status of device, firmware upgrades over HTTP		
Supported Protocols	HTTP, TCP, RTSP, RTP, UDP, ARP, DNS, NTP, RTCP, FTP, ICMP, DHCP, Bonjour, IGMP, SSH		
Standards	ONVIF support		
Regulatory			
Emissions	FCC part 15B, CE (EN55022)		
Immunity	CE (EN50130-4)		
Safety	EU: EN60950-1		

\*Actual bitrate is scene and motion dependent.

# H4S1P1X

## SPECIFICATIONS

### System Integration

#### Open IP Integration

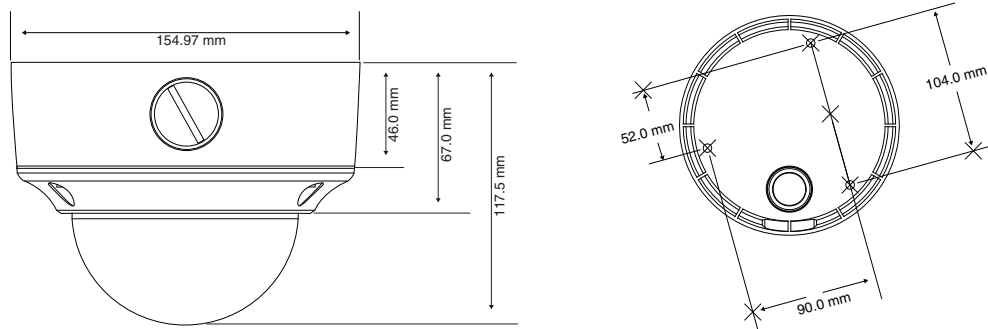
ONVIF support and open API for software integration. Refer to [www.onvif.org](http://www.onvif.org) for the ONVIF specification and the Honeywell Open Technology Alliance ([www.honeywell.com/security/hota](http://www.honeywell.com/security/hota)) to learn more about our open and integrated solutions.

### Accessories

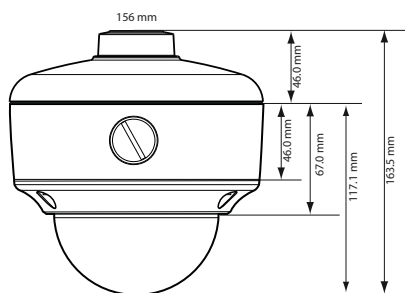
#### Housing and Mounts

HD4CHIP-PK	Pendant Mount Bracket
HD4CHIP-WK	Wall Mount Bracket

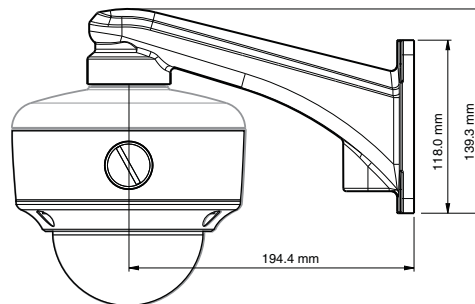
#### H4S1P1X Dimensions



#### HD4CHIP-PK Pendant Mount



#### HD4CHIP-WK Wall Mount



### Ordering

H4S1P1X	Network, Day/Night Rugged Fixed Minidome Camera, 1/4" Progressive Scan, CMOS, 720p Resolution, 3.3-12 mm VFAI lens, 24V AC or PoE IEEE 802.3af, H.264, PAL
---------	--

**NOTE:** Honeywell reserves the right, without notification, to make changes in product design or specifications.



For additional information,

please visit [www.honeywell.com/security/uk](http://www.honeywell.com/security/uk)

#### Honeywell Security Group

Aston Fields Road  
Whitehouse Industrial Estate  
Runcorn  
Cheshire  
WA7 3DL

Tel: 08448 000 235

[www.honeywell.com](http://www.honeywell.com)

HVS-H4S1P1X-02-UK(0613)DS-E  
June 2013  
© 2013 Honeywell International Inc.