

HCD2FX

equiP® SERIES 1080p TRUE DAY/NIGHT H.264 INDOOR BOX IP CAMERA

Honeywell's latest addition to the equiP® Series of IP-based products, the HCD2FX is a high definition, True Day/Night network camera that offers the latest in digital video surveillance. The HCD2FX provides 1080p (1920x1080) resolution at full frame rate. Progressive scan technology and 2D edge enhancement provide outstanding clarity and definition. Digital Noise Reduction results in significant storage savings without sacrificing image quality in low light. The 1/2.7" CMOS network camera combines world-class imaging and camera technology with our equiP Series IP networking technology, to provide streaming H.264 and MJPEG images at up to 25 frames per second (30 fps for NTSC systems). The HCD2FX supports the ONVIF specification for interoperability between network video products.

The HCD2FX day/night camera adapts to varying lighting conditions to ensure the highest picture quality even in extreme low light. When the light level drops too low for accurate video identification in colour, the camera moves the IR cut filter out of the optical path and then switches to black and white video to capture more detail using the increased sensitivity of the CMOS sensor to IR light.

A powerful and intuitive web client allows fine tuning of the camera and the auto iris levels. This can also be performed from most NVR setup utilities.

The HCD2FX supports dual video streams and multiple compression formats. The digital compression parameters for the two video streams are independently configurable. The secondary stream can be configured for H.264 or MJPEG. The HCD2FX features analogue video out for aiming and focusing during setup.

The HCD2FX has built-in Power over Ethernet (IEEE 802.3af), which allows power to be supplied to the camera using standard network cabling, eliminating the need for a separate power supply and associated wiring. In retrofit situations where PoE switching does not exist, the unit can also be powered directly from 24V AC.

Market Opportunities

The HCD2FX is a network surveillance solution designed for object recognition in locations where variable and low light conditions exist. Setup is quick and easy and can be customised through a web client or from an NVR. This provides optimum performance for both indoor and outdoor applications when using an environmental housing.

Features

- Outstanding image quality, 1080p (1920 x 1080) resolution
- 25 fps (30 fps NTSC) progressive scan
- H.264 and MJPEG compression
- ONVIF support
- Camera tamper detection
- NTP time synchronisation support
- Variable day/night threshold setting to accommodate switching to black and white images in low light
- Dual digital video streams, independently configurable, H.264 and/or H.264/MJPEG
- Remote firmware update
- Date/time stamp embedded into video stream
- Multiple browser support
- Supports both dynamic and static IP addresses
- Includes advanced IP locator software to make system setup easy
- Web server for remote setup of camera video and network parameters
- Choice of 24V AC or PoE IEEE 802.3af power inputs
- Multiple levels of password protected remote access prevents unauthorised users from altering system settings
- Supports bidirectional audio



(lens sold separately)



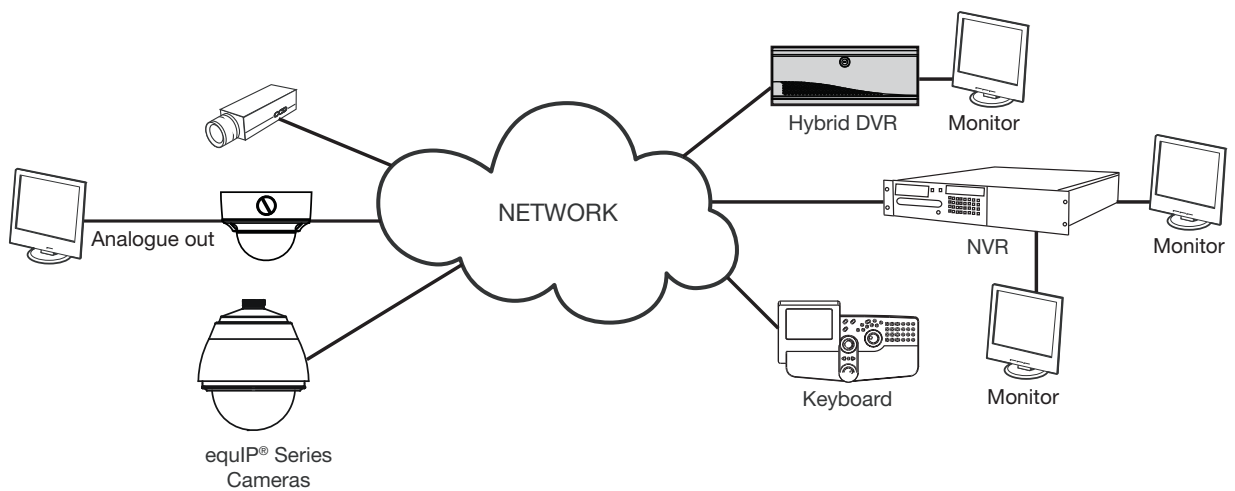
HCD2FX

SPECIFICATIONS

Like all cameras in the equiP Series of IP-based products, the HCD2FX network camera uses Honeywell technology for camera video motion detection, tamper detection, remote firmware updating and for secure storage of all camera settings. Video motion detection recognises object motion within the field of view; then a simple on-screen notification alerts the user. Camera tamper detection notifies the user when a camera's field of view is altered, blinded or blurred. This ensures the video's integrity and alerts the customer to either a live event or a system problem that is causing disruption to the video stream. Honeywell's technology also allows users to remotely upload firmware to the camera. Setup is quick and easy and can be customised through a web client or from an NVR. The built-in web server provides password protected access to the camera's video and network setup.



System Diagram



HCD2FX

SPECIFICATIONS

Operational	
Video Standard	PAL/NTSC
Scanning System	Progressive scan
Image Sensor	1/2.7" CMOS
Number of Pixels (H x V)	1920 x 1080
Minimum Illumination	0.18 lux colour/0.15 lux BW @ 50 IRE, F1.2 0.11 lux colour/0.09 lux BW @ 30 IRE, F1.2
Automatic Lens Control	DC Iris Level 1-25
Video Output (AUX)	1.0 Vp-p @ 75 Ohms
S/N Ratio	50 dB or more (AGC off)
Wide Dynamic Range	69dB
Auto Gain Control	Off/On, selectable (20-40 dB)
Automatic Electronic Shutter	1/30 - 1/130,000 sec (NTSC) 1/25 - 1/130,000 sec (PAL)
White Balance	Auto, Manual, WBC Push
Audio/Two-Way	Line in/out
Electrical	
Input Voltage	24V AC, PoE IEEE 802.3af
Input Range	17-28V AC
Surge Suppression	1.5 kW transient
Power Consumption	5.0 W (max) 24V AC PoE: PD Type 1 Class 2
Mechanical	
Dimensions (W x H)	135.6 mm x 62.0 mm
Weight	0.5 kg camera only
Construction	Housing: Aluminium Finish: Cool Grey Powder Coat
Camera Mount	1/4-20 UNC mounting ring
Connector	Video Output: BNC connector Lens: 4 pin connector Power Input: Removable screw block Network: RJ45 connector Alarm I/O: Removable screw block Audio In: 3.5 mm mono phone jack Audio Out: 3.5 mm mono phone jack

Environmental			
Temperature	Operating: -10°C to 50°C Storage: -20°C to 60°C		
Relative Humidity	0% to 85%, non-condensing		
IP Specifications			
Video Compression	Dual stream H.264 and MJPEG		
Primary Stream Resolution	Bitrate H.264 (Typical)*	Frame Rate	Storage/Day (GB)
1920 x 1080	3.0 Mbps	25/30	31.6
1280 x 720	1.4 Mbps	25/30	14.8
800 x 450	0.75 Mbps	25/30	7.91
640 x 360	0.4 Mbps	25/30	4.22
320 x 180	0.2 Mbps	25/30	2.11
Frame Rate PAL/NTSC	Up to 25/30 fps video in all resolutions		
Video Streaming	Dual streaming: H.264 and MJPEG Controllable frame rate and bandwidth Constant or variable bit rate		
Security	Multiple user access levels with password protection		
Video Access from Web Browser	Full control of all camera settings available to administrator		
Minimum Web Browsing Requirements	Pentium IV CPU 3.1 GHz or faster 1 GB RAM (32-bit) or 2 GB RAM (64-bit) Windows XP® SP3, Windows 2003 Server R2 (32-bit), Windows 7 (32-/64-bit), Windows Vista SP1, Windows 2008 R2 (64-bit) Internet Explorer 8 or 9 Mozilla Firefox® and Google Chrome		
Installation and Management Maintenance	Honeywell IP Utility software identifies the IP address, discovers cameras, supports firmware upgrades		
Supported Protocols	HTTP, TCP, RTSP, RTP, UDP, ARP, DNS, NTP, RTCP, FTP, ICMP, DHCP, Bonjour, IGMP, SSH		
Standards	ONVIF support		
Regulatory			
Emissions	FCC, CE (EN55022)		
Immunity	CE (EN50130-4)		
Safety	EU: EN60950-1		

*Actual bitrate is scene and motion dependent with H.264 stream.

HCD2FX

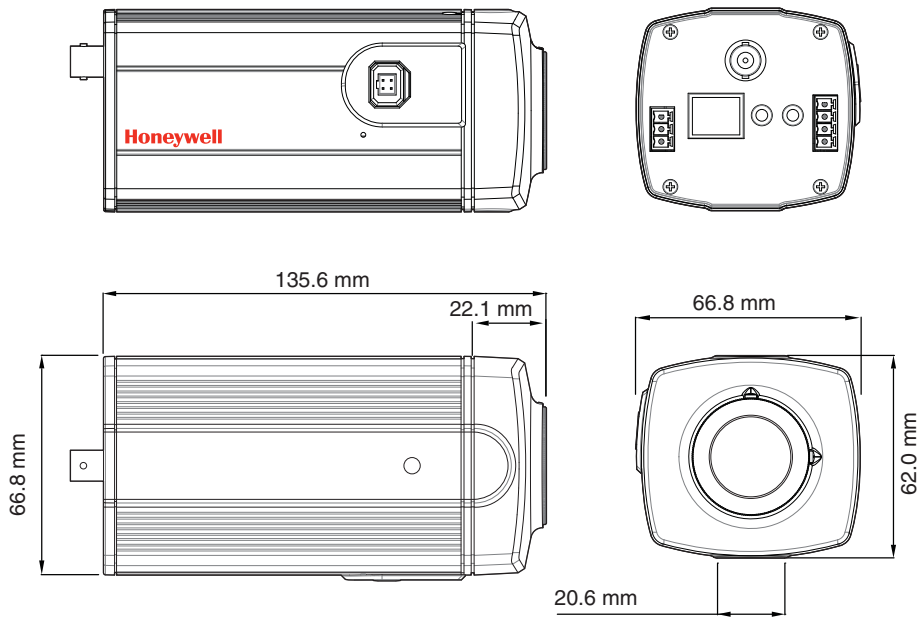
SPECIFICATIONS

System Integration
Open IP Integration
ONVIF support and open API for software integration. Refer to www.onvif.org for the ONVIF specification and the Honeywell Open Technology Alliance [http://www.honeywell.com/security/hota] to learn more about our open and integrated solutions.

Accessories	
Housing and Mounts	
HBC5WT	Wall/ceiling mount bracket
Recommended Lenses*	
HLM45V13MPD	4.5-13.2mm High definition megapixel lens
HLD3V8MPD	3-8mm High definition megapixel lens

NOTES:

*Only a high definition megapixel lens should be used with the HCD2FX camera.



Ordering	
HCD2FX	Network True Day/Night, 1/2.7" Progressive Scan, CMOS, 1080p Resolution Camera, 24V AC or PoE IEEE 802.3af, H.264, PAL

NOTE: Honeywell reserves the right, without notification, to make changes in product design or specifications.



For additional information,

please visit www.honeywell.com/security/uk

Honeywell Security Group

Aston Fields Road
 Whitehouse Industrial Estate
 Runcorn
 Cheshire
 WA7 3DL

Tel: 08448 000 235

www.honeywell.com

HVS-HCD2FX-02-UK(0513)DS-E
 May 2013
 © 2013 Honeywell International Inc.

